

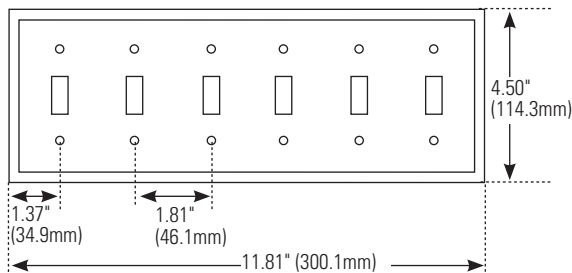
Wallplate dimensional information



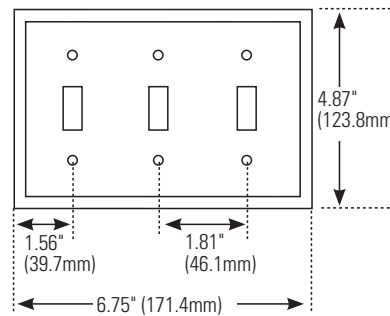
Wallplate sizes

Gang	Description	Height	Width	First gang to edge	Gang to gang
1-Gang	Standard	4.50" (114.3mm)	2.75" (69.8mm)	1.37" (34.9mm)	—
	Mid-size	4.87" (123.8mm)	3.12" (79.4mm)	1.56" (39.7mm)	—
	Oversize	5.25" (133.3mm)	3.50" (88.9mm)	1.75" (44.4mm)	—
2-Gang	Standard	4.50" (114.3mm)	4.56" (115.9mm)	1.37" (34.9mm)	1.81" (46.0mm)
	Mid-size	4.87" (123.8mm)	4.94" (125.4mm)	1.56" (39.7mm)	1.81" (46.0mm)
	Oversize	5.25" (133.3mm)	5.31" (134.9mm)	1.75" (44.4mm)	1.81" (46.0mm)
3-Gang	Standard	4.50" (114.3mm)	6.37" (161.9mm)	1.37" (34.9mm)	1.81" (46.0mm)
	Mid-size	4.87" (123.8mm)	6.75" (171.4mm)	1.56" (39.7mm)	1.81" (46.0mm)
	Oversize	5.25" (133.3mm)	7.17" (182.2mm)	1.75" (44.4mm)	1.81" (46.0mm)
4-Gang	Standard	4.50" (114.3mm)	8.19" (207.9mm)	1.37" (34.9mm)	1.81" (46.0mm)
	Mid-size	4.87" (123.8mm)	8.56" (217.5mm)	1.56" (39.7mm)	1.81" (46.0mm)
	Oversize	5.25" (133.3mm)	8.94" (227.0mm)	1.75" (44.4mm)	1.81" (46.0mm)
5-Gang	Standard	4.50" (114.3mm)	10.00" (254.0mm)	1.37" (34.9mm)	1.81" (46.0mm)
	Mid-size	4.87" (123.8mm)	10.37" (263.5mm)	1.56" (39.7mm)	1.81" (46.0mm)
6-Gang	Standard	4.50" (114.3mm)	11.81" (300.0mm)	1.37" (34.9mm)	1.81" (46.0mm)
	Mid-size	4.87" (123.8mm)	12.18" (309.5mm)	1.56" (39.7mm)	1.81" (46.0mm)

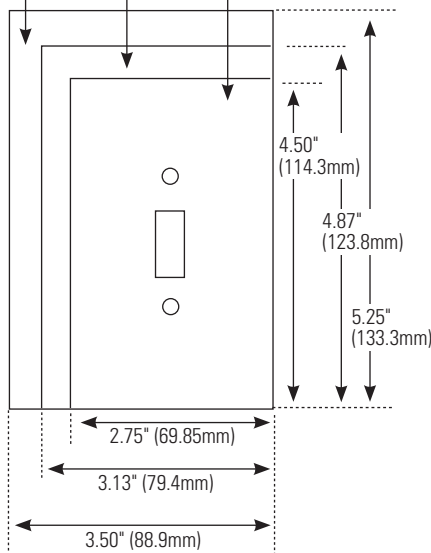
Standard



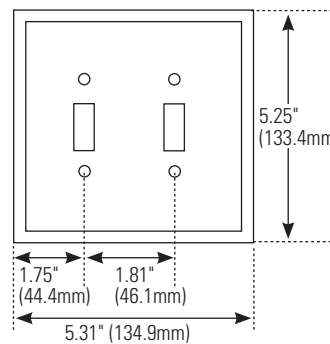
Mid-size



Oversize Mid-size Standard



Oversize



Compliances, specifications and availability are subject to change without notice.

www.eaton.com
www.eaton.com/arrowhart

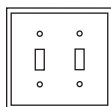
Mid-size toggle switch wallplates

Product description

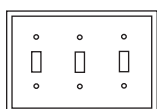
1-Gang, 2-Gang, 3-Gang, 4-Gang, 5-Gang, 6-Gang



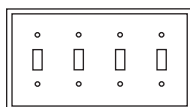
1-Gang



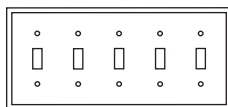
2-Gang



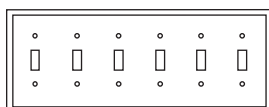
3-Gang



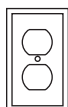
4-Gang



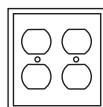
5-Gang



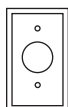
6-Gang



1-Gang



2-Gang



1-Gang

Toggle switch

Gang	Material	Color suffix	Catalog no.	
1-Gang	Polycarbonate	A, B, BK, GY, LA, RD, V, W	□ PJ1__	•
	Thermoset	A, B, LA, V, W	□ 2034__	• •
	302/304 Stainless steel	—	□ 93971	• •
2-Gang	Polycarbonate	A, B, BK, GY, LA, RD, V, W	□ PJ2__	•
	Thermoset	A, B, LA, V, W	□ 2039__	• •
	302/ 304 Stainless steel	—	□ 93972	• •
3-Gang	Polycarbonate	A, B, BK, GY, LA, RD, V, W	□ PJ3__	•
	Thermoset	A, B, LA, V, W	□ 2041__	• •
	302/304 Stainless steel	—	□ 93973	• •
4-Gang	Polycarbonate	A, B, BK, GY, LA, V, W	□ PJ4__	•
	Thermoset	A, LA, V, W	□ 2054__	• •
5-Gang	Polycarbonate	A, B, BK, GY, LA, V, W	□ PJ5__	•
6-Gang	Polycarbonate	A, B, BK, GY, LA, V, W	□ PJ6__	•

Mid-size duplex & single receptacle wallplates

Product description

1-Gang, 2-Gang

Duplex receptacle

Gang	Material	Color suffix	Catalog no.	
1-Gang	Polycarbonate	A, B, BK, GY, LA, RD, V, W	□ PJ8__	•
	Thermoset	A, B, LA, V, W	□ 2032__	• •
	302/304 Stainless steel	—	□ 93901	• •
2-Gang	Polycarbonate	A, B, BK, GY, LA, RD, V, W	□ PJ82__	•
	Thermoset	A, LA, V, W	□ 2050__	• •
	302/304 Stainless steel	—	□ 93902	• •

Single receptacle

Gang	Material	Color suffix	Catalog no.	
1-Gang with 1.406" (35.712mm) hole	Thermoset	A, B, LA, V, W	□ 2031__	• •
	302/304 Stainless steel	—	□ 93991	• •

Color ordering information:

For ordering devices, include Catalog no. followed by the Color suffix: A (Almond), B (Brown), BK (Black), GY (Gray), LA (Light Almond), RD (Red), V (Ivory), W (White)

A	B	BK	GY	LA	RD	V	W	
(Almond)	(Brown)	(Black)	(Gray)	(Lt. Almond)	(Red)	(Ivory)	(White)	(Stainless Steel)

Certification information: 2000, 4000, 5000, ST & PJ series wallplates are cULus Listed; 93000 series wallplates are UL Listed and CSA Certified; 94000 series wallplates are UL Listed and CSA certified. **Specification information:** K-22

Compliances, specifications and availability are subject to change without notice.

Indicates NAFTA compliant - Page Q-32

RoHS compliant - Page Q-32