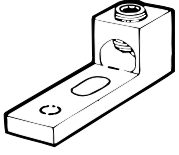


Dual-rated mechanical connectors

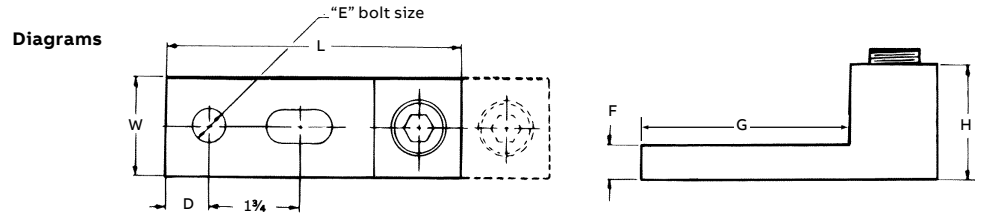
Type ADR – ALCÜL™ single-conductor, switchgear mount and two-conductor, one-hole mount



Type ADR – ALCÜL™ single-conductor, switchgear mount*



Cat. no.	Conductor range (AWG or kcmil, Al or Cu)		Dimensions (in.)						
	Max.	Min.	L	W	H	D	E	F	G
ADR25-12S	250	3/0 Str.	3	1	1 ³ / ₁₆	1/2	3/8	1/4	2
ADR35-12S	350	4 Str.	4 ¹ / ₁₆	1 ¹ / ₄	1 ⁹ / ₁₆	2 ³ / ₃₂	1/2	7/16	3 ⁵ / ₁₆
ADR50-12S	500	400	4 ¹ / ₁₆	1 ¹ / ₄	1 ⁹ / ₁₆	2 ³ / ₃₂	1/2	7/16	3 ⁵ / ₁₆
ADR80-12DS	800	300	6 ³ / ₁₆	1 ⁵ / ₈	1 ⁷ / ₈	2 ³ / ₃₂	1/2	9/16	3 ⁷ / ₁₆
ADR99-12DS	1,000	350	6 ³ / ₁₆	1 ⁵ / ₈	1 ⁷ / ₈	2 ³ / ₃₂	1/2	9/16	3 ⁷ / ₁₆



* NEMA spacing: 1³/₄" centers except ADR25-12S: 1" centers.

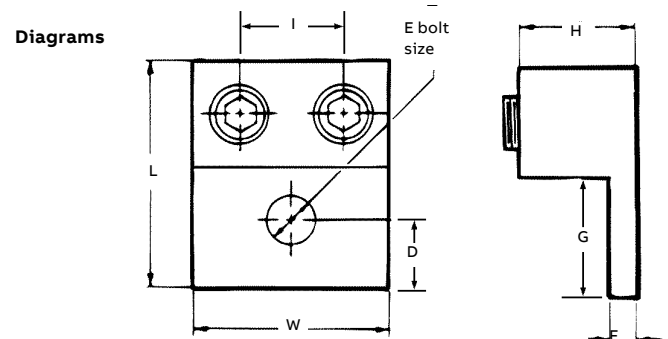
Connectors accommodating conductors 600 kcmil and larger have double row of set screws (D suffix).



Type ADR – ALCÜL™ two-conductor, one-hole mount



Cat. no.	Conductor range (AWG or kcmil, Al or Cu)		Dimensions (in.)							
	Max.	Min.	L	W	H	D	E	F	G	I
ADR11-21	1/0 Str.	#14	1 ¹⁵ / ₃₂	1 ⁷ / ₃₂	2 ⁵ / ₃₂	7/16	1/4	3/16	2 ⁷ / ₃₂	3 ⁵ / ₆₄
ADR21-21*	2/0 Str.	#14	1 ¹⁵ / ₃₂	1 ¹ / ₄	2 ⁵ / ₃₂	2 ⁷ / ₆₄	1/4	3/16	2 ⁷ / ₃₂	2 ¹ / ₃₂
ADR25-21	250	#6 Str.	2 ⁹ / ₁₆	1 ⁴ / ₁₆	1 ³ / ₁₆	7/8	3/8	1/4	1 ⁹ / ₁₆	1 ³ / ₁₆
ADR35-21	350	#6 Str.	2 ⁷ / ₈	1 ⁵ / ₁₆	1 ¹ / ₄	7/8	1/2	1/4	1 ³ / ₄	6 ¹ / ₆₄
ADR60-21	600	#2 Str.	3 ³ / ₁₆	2 ¹³ / ₃₂	1 ⁹ / ₁₆	5/8	1/2	7/16	1 ¹³ / ₁₆	1 ⁷ / ₃₂
ADR80-21	800	300	3 ³ / ₈	3 ³ / ₁₆	1 ¹⁵ / ₁₆	7/8	5/8	1/2	1 ³ / ₄	1 ⁵ / ₈
ADR99-21	1000	500	3 ³ / ₈	3 ³ / ₁₆	1 ¹⁵ / ₁₆	7/8	5/8	1/2	1 ³ / ₄	1 ⁵ / ₈



* Not CSA certified. UL® 486B, AL9CU