



CONTACT US @ 855-355-2724
 E-Mail: Sales@brahelectric.com
www.Brahelectric.com

PRODUCT DATA SHEET



PART NUMBER- BLC1F185G6:

BRAH Electric, LC1F185G6, 275 amp, 600 volt, 3 pole, AC rated contactor, complete with 120VAC control coil, suitable for use with Telemecanique TeSys F type LC1F, direct substitute contactor for Telemecanique OEM LC1F185G6.

Contactors

Picture is for reference only,
 Actual Kit may vary slightly

Voltage Selection Char BLC1F185XX

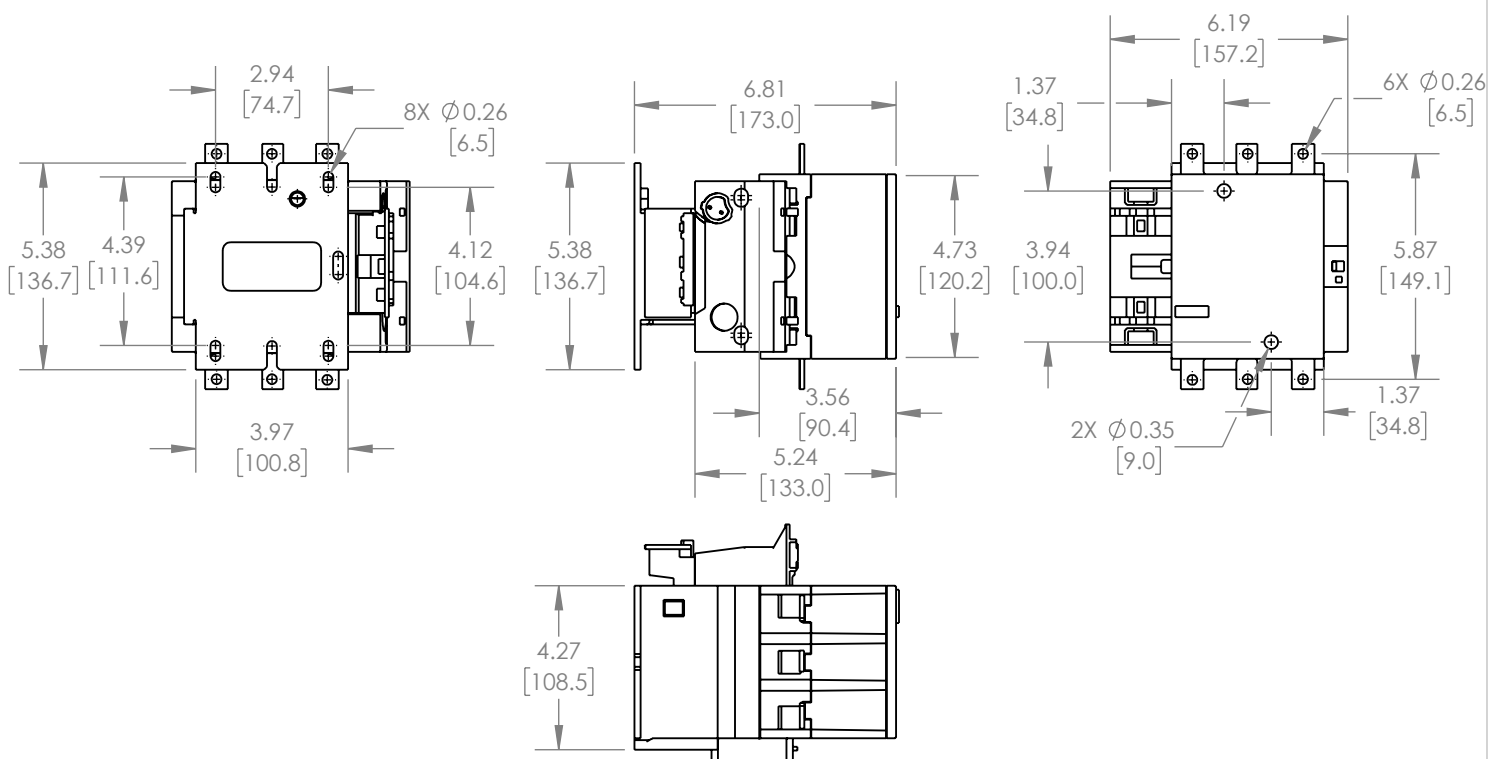
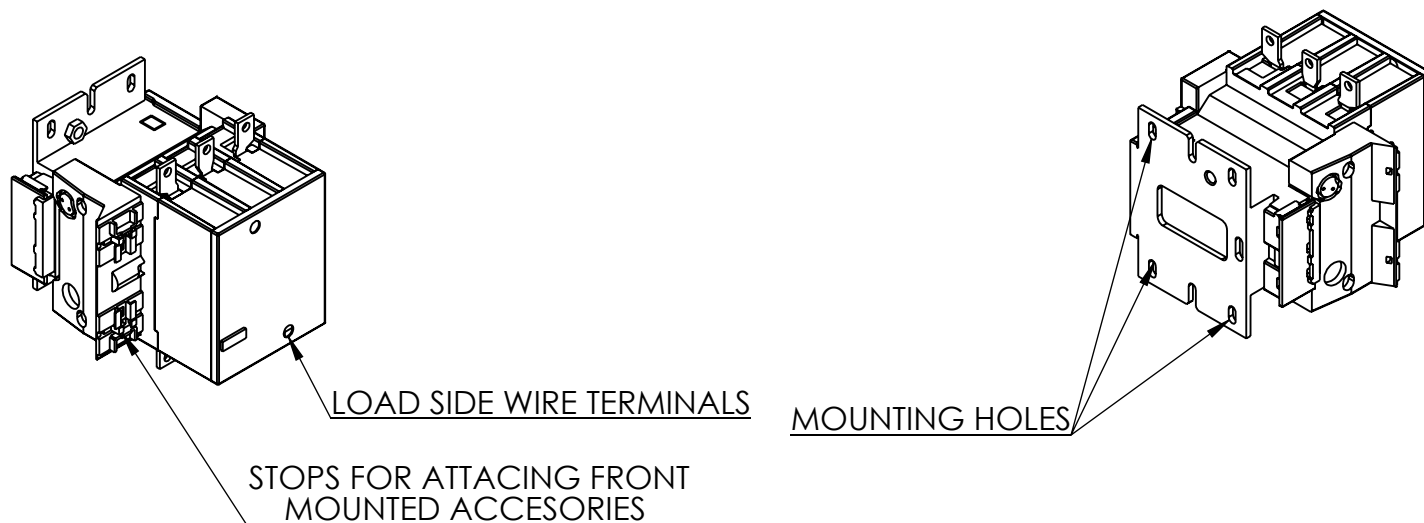
BLC1F185	120VAC
BLC1F185B6	24VAC
BLC1F185G6	120VAC
BLC1F185L7	208VAC
BLC1F185Q5	480VAC
BLC1F185U6	240VAC

PRODUCT SPECIFICATIONS

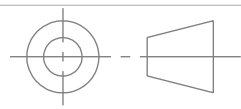
Manufacturer	BRAH Electric
Sub-Category	Contactors
Family	TeSys F
Type	LC1F
Control Voltage Min	120
Voltage	600
Control Voltage Max	120
Amperage	275
Poles	3
Phase	3

Warranty: All Products sold by BRAH Electric are guaranteed to be free of defect for a period of two years, under the condition that the product has been installed and operated properly. All items proven defective within the one year period will be replaced by BRAH Electric. In the event that we cannot provide a direct replacement, your monies will be refunded in full. We are not responsible for any consequential losses or damages outside of the defective product as well as any replacements or repairs performed by another party without our written authorization from BRAH Electric.

REVISIONS				
ZONE	REV.	DESCRIPTION	DATE	APPROVED



*NOTE: BRAH ELECTRIC CONTACTOR BLC1F185G6 IS AN AFTERMARKET DIRECT REPLACEMENT FOR LC1F185G6, LC1-F SERIES. SUITABLE FOR USE WITH LC1-F SERIES MOTOR CONTROL SYSTEMS



PROPRIETARY AND CONFIDENTIAL

THE INFORMATION CONTAINED IN THIS DRAWING IS THE SOLE PROPERTY OF BRAH ELECTRIC. ANY REPRODUCTION IN PART OR AS A WHOLE WITHOUT THE WRITTEN PERMISSION OF BRAH ELECTRIC IS PROHIBITED.

UNLESS OTHERWISE NOTED
ALL DIMENSIONS ARE IN INCHES
METRIC UNITS ARE DISPLAYED
BENEATH IN [MM.]

MATERIAL	MOLDED PLASTIC CASE
FINISH	N/A
DO NOT SCALE DRAWING	



MAGNETIC CONTACTOR

SIZE	DWG. NO.	REV.
A	BLC1F185G6	A
SCALE: 1:5	WEIGHT: 3.2 LBS	SHEET 1 OF 1