

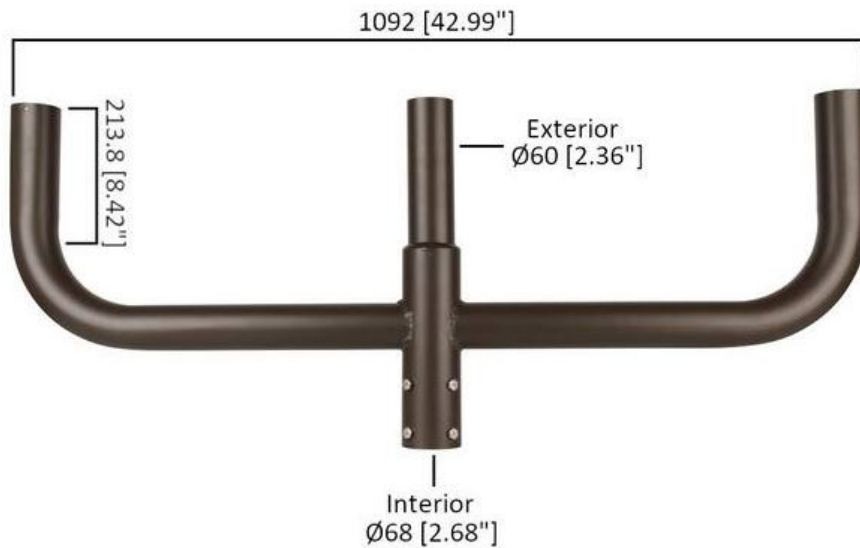
## 44 in. 180-Degree Triple Bullhorn Mounting Bracket Tenon Adapter



### PRODUCT DESCRIPTION

The 180-degree triple bullhorn mounting bracket is constructed from heavy-duty steel with double-strength welds for durability. It features a 2-3/8 inch OD tenon top and a 180-degree bullhorn for easy mounting on 3-inch round poles. Suitable for use with LED shoebox parking lot lights, LED floodlights, area lights, street lights, and more, it has a bottom portion with a 2.7-inch inside diameter and a 3-inch outside diameter.

### Dimensions



### Specifications

Part Number	Weight (lbs.)	Capacity (lbs.)	Mount	Material	Warranty	Certificates
JH-1TBH180-54C	17	100/head	Round Poles	Steel	1 Year	ETL