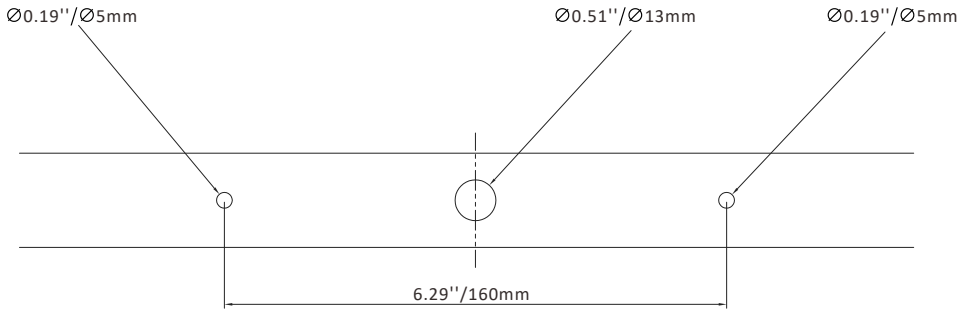
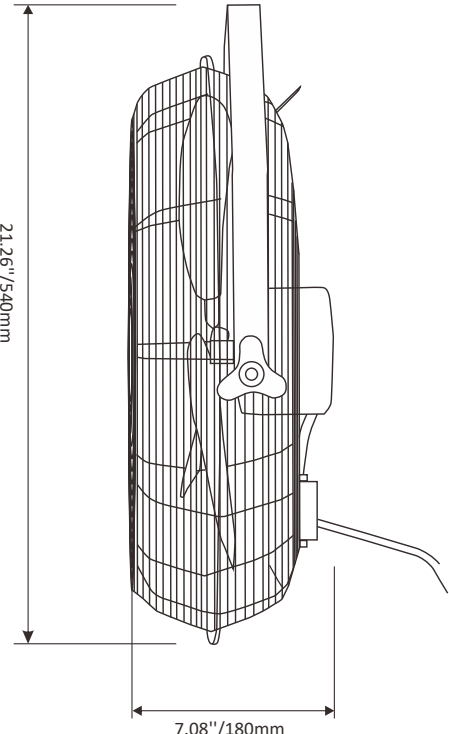
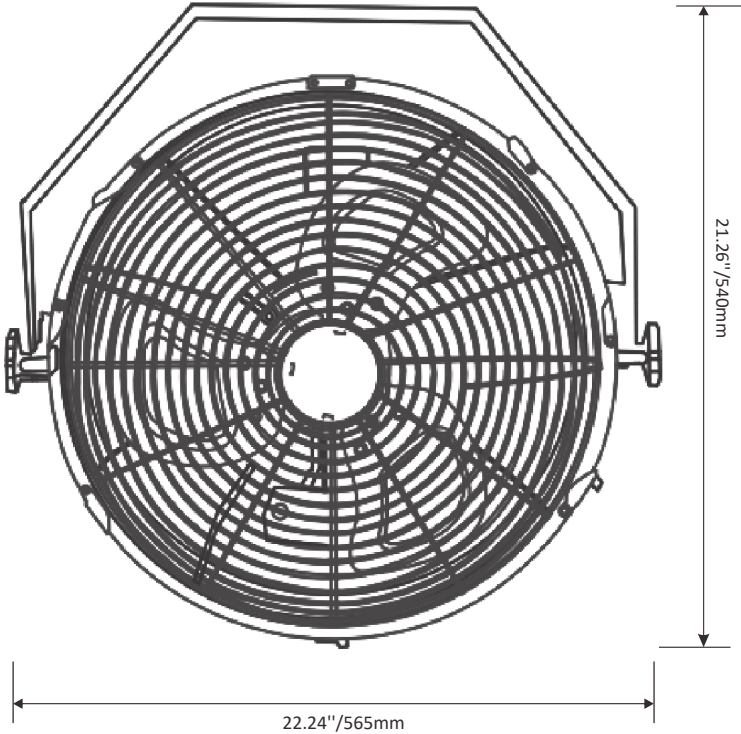


	NET WEIGHT	PACKAGED WEIGHT
	10.58LB/4.8KG	12.78LB/5.8KG



ELECTRICAL SPECIFICATIONS OF 18" FAN:
 OUTPUT: 100W
 INPUT: 120VAC 60HZ
 MATERIAL: METAL GRILLES, 3 ALUMINUM BLADES, METAL GUARD, METAL BRACKET
 MOTOR: 100% ALUMINUM WIRE
 AIR VELOCITY: 6.5M/S
 SPEED SETTINGS: 1050/1150/1300RPM
 6FT CABLE WITH NEMA 5-15P US PLUG

TOL ±	GENERAL TOL:				
RANGE	0.1	0.1	0.15	0.2	0.3
0~10	0.15	0.2	0.25	0.3	0.4
10~30	0.2	0.3	0.35	0.4	0.6
30~50	0.25	0.4	0.4	0.6	0.8
50~100	0.3	0.5	0.6	0.8	1.0
100~					
ANGLE	1°	2°	3°	3°	5°
SCALE	SCALE	UNIT	PAPER		
1:1	1/1	mm	A4		



DRAWING NO: 60-1006
 PART NAME: IDB-FAN18
 MATERIAL NO: