

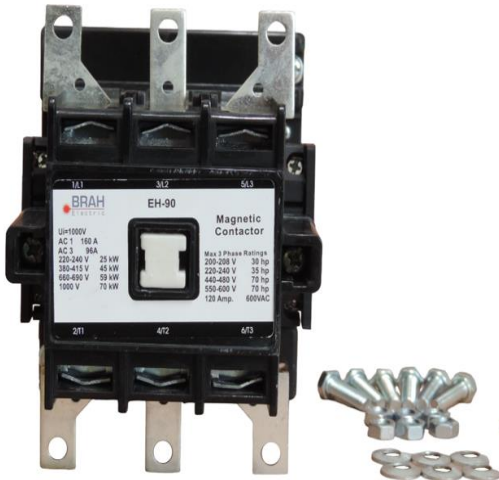


CONTACT US @ 855-355-2724

E-Mail: Sales@brahelectric.com

www.Brahelectric.com

PRODUCT DATA SHEET



Contactors

Picture is for reference only,
Actual Kit may vary slightly

Contactor voltage selection chart BEH-90-XX

BEH-90	120VAC
BEH-90-30-22	120VAC
BEH-90-30-22AA	24VAC
BEH-90-30-22AK	240VAC
BEH-90-30-22AS	480VAC

PART NUMBER-BEH-90-30-22AK:

BRAH Electric, Direct replacement aftermarket conversion kit for ABB 96amp, 600volt, 3 pole, complete with 240VAC control coil, 2 normally open, 2 normally closed auxiliary contacts, suitable for use with ABB EH Series type EH, direct substitute contactor for ABB OEM EH-90

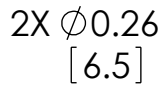
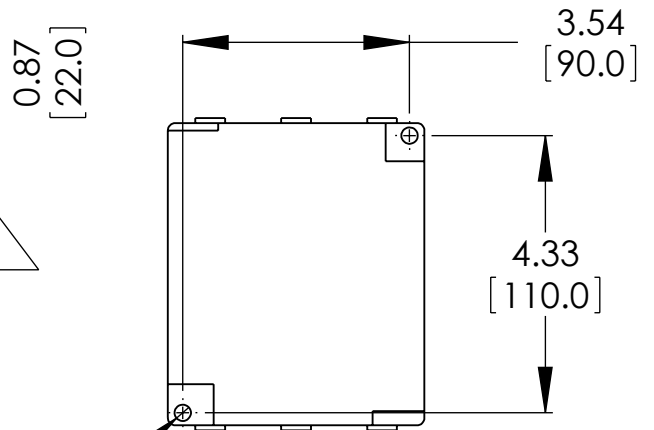
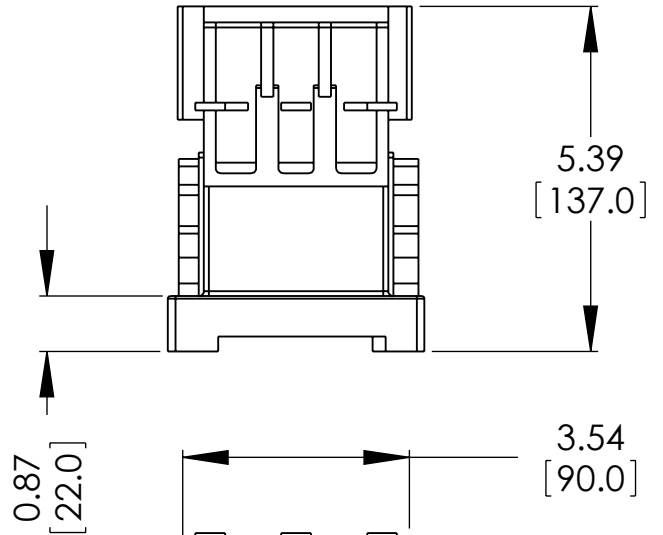
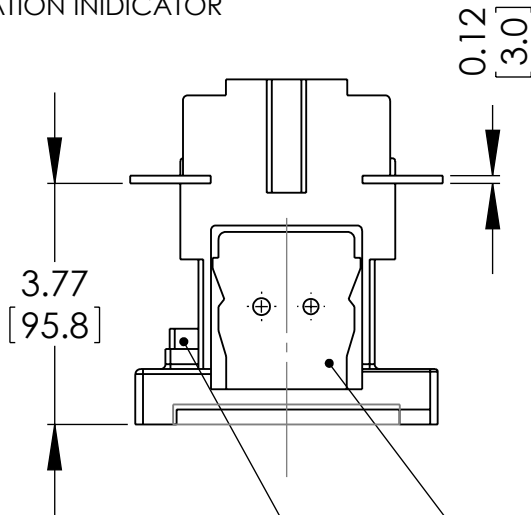
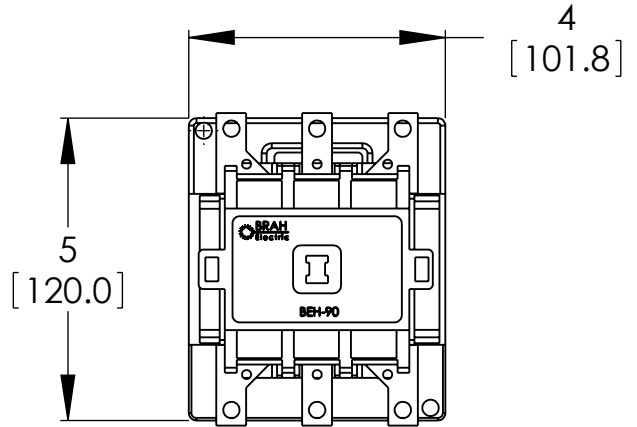
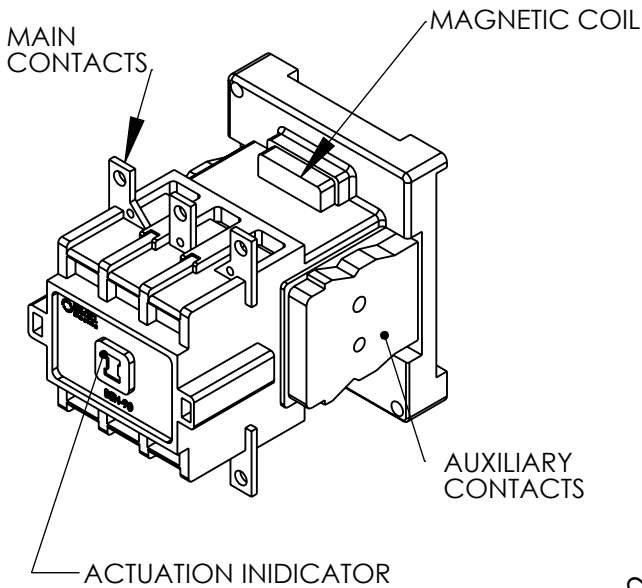
PRODUCT SPECIFICATIONS

Manufacturer	BRAH Electric
Sub-Category	Contactor
Family	EH Series
Type	EH, BEH
Coil Voltage Min	240
Coil Voltage Max	240
Voltage	600
Amperage	96
Poles	3
Phase	3

Warranty: All Products sold by BRAH Electric are guaranteed to be free of defect for a period of two years, under the condition that the product has been installed and operated properly. All items proven defective within the one year period will be replaced by BRAH Electric. In the event that we cannot provide a direct replacement, your monies will be refunded in full. We are not responsible for any consequential losses or damages outside of the defective product as well as any replacements or repairs performed by another party without our written authorization from BRAH Electric.

REVISIONS

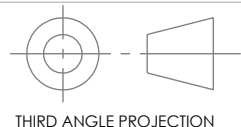
ZONE	REV.	DESCRIPTION	DATE	APPROVED
------	------	-------------	------	----------



MAGNETIC COIL IS AVAILABLE IN A VARIETY OF CONTROL VOLTAGES

LOCATED ON BOTH SIDES: INTERCHANGABLE AUXILIARY CONTACTS ARE ARRANGED WITH SCREW TYPE TERMINALS WITH MULTIPLE AUXILIARY CONFIGURATIONS AVAILABLE

* NOTE: BRAH ELECTRIC CONTACTOR BEH-90-30-22AK IS AN AFTERMARKET DIRECT REPLACEMENT FOR ABB EH-90-30-22AK, EH SERIES. SUITABLE FOR USE WITH EH SERIES MOTOR CONTROL SYSTEMS



PROPRIETARY AND CONFIDENTIAL

THE INFORMATION CONTAINED IN THIS DRAWING IS THE SOLE PROPERTY OF BRAH ELECTRIC. ANY REPRODUCTION IN PART OR AS A WHOLE WITHOUT THE WRITTEN PERMISSION OF BRAH ELECTRIC IS PROHIBITED.

UNLESS OTHERWISE NOTED

ALL DIMENSIONS ARE IN INCHES
METRIC UNITS ARE DISPLAYED
BENEATH IN [MM.]

MATERIAL
MOLDED PLASTIC CASE

FINISH
N/A

DO NOT SCALE DRAWING



MAGNETIC CONTACTOR

SIZE A	DWG. NO. BEH-90-30-22AK	REV. A
SCALE: 1:3	WEIGHT: 3.2 LBS	SHEET 1 OF 1