



EXTERNAL DRIVE LED

TYPE C LED TUBES

KT-LED12T8-36G-8XX-E

T8 LED LAMP

DESCRIPTION

12W T8 LED Tube | Type C | 3000–5000K | >83 CRI | 0–10V Dimming



LAMP TYPE: Linear
BULB TYPE: T8 LED
BASE TYPE: G13 (Medium Bi-Pin)
DIMMING TYPE: 0–10V
WATTAGE: 12W
LAMP INPUT VOLTAGE: 36–45Vdc
COLOR TEMPERATURE: 3000–5000K
COLOR RENDERING INDEX (CRI): >83



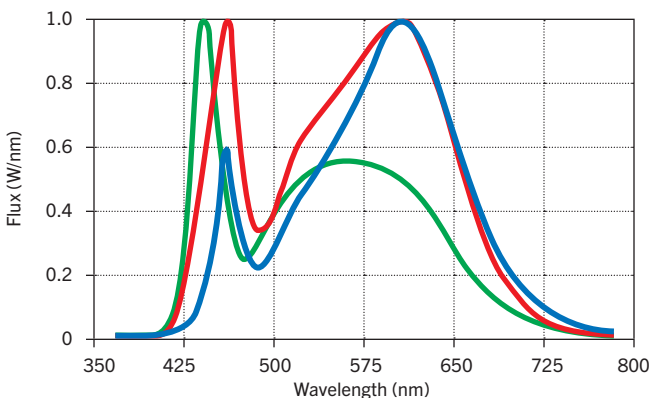
PRODUCT FEATURES

- Compatible with Keystone external drive LED drivers
- Replacement for conventional fluorescent lamps
- 50,000+ hour lifetime
- Type C application for custom installations and maximum efficiency
- Environmentally friendly: No mercury used
- Instant startup
- Frosted glass eliminates pixelation
- UL Classified (pending)
- Operating temperature: –20°C/–4°F to 45°C/113°F
- 120+ lumens per watt

OPERATING SPECIFICATIONS

Catalog Number	Color Temp.	KTLD-1LT8-UV-12C-VDIM												Power Factor
		KTLD-2LT8-UV-12C-VDIM			KTLD-2LT8-UV-12C-VDIM						KTLD-4LT8-UV-12C-VDIM			
		1 Lamp			2 Lamps			3 Lamps			4 Lamps			
		Nominal Input Power	Nominal Lumens	Nominal Efficacy	Nominal Input Power	Nominal Lumens	Nominal Efficacy	Nominal Input Power	Nominal Lumens	Nominal Efficacy	Nominal Input Power	Nominal Lumens	Nominal Efficacy	
KT-LED12T8-36G-830-E	3000K	13W	1,630	125 lm/W	26W	3,260	125 lm/W	39W	4,890	125 lm/W	52W	6,520	125 lm/W	>0.9
KT-LED12T8-36G-835-E	3500K	13W	1,680	129 lm/W	26W	3,360	129 lm/W	39W	5,040	129 lm/W	52W	6,720	129 lm/W	>0.9
KT-LED12T8-36G-840-E	4000K	13W	1,730	133 lm/W	26W	3,460	133 lm/W	39W	5,190	133 lm/W	52W	6,920	133 lm/W	>0.9
KT-LED12T8-36G-850-E	5000K	13W	1,780	137 lm/W	26W	3,560	137 lm/W	39W	5,340	137 lm/W	52W	7,120	137 lm/W	>0.9

SPECTRAL DISTRIBUTION



RATED LIFE

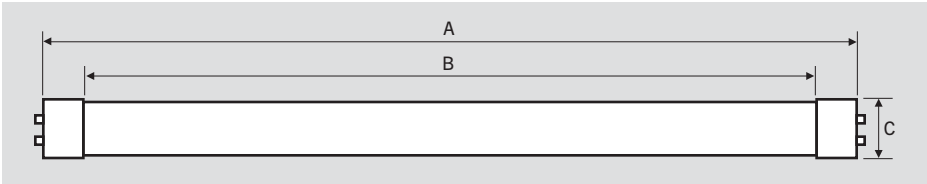
L70 (Hours)	50,000
-------------	--------

BEAM ANGLE: 240°

VISIBLE LIGHT AREA: 325°

KT-LED12T8-36G-8XX-E
T8 LED LAMP

PHYSICAL SPECIFICATIONS

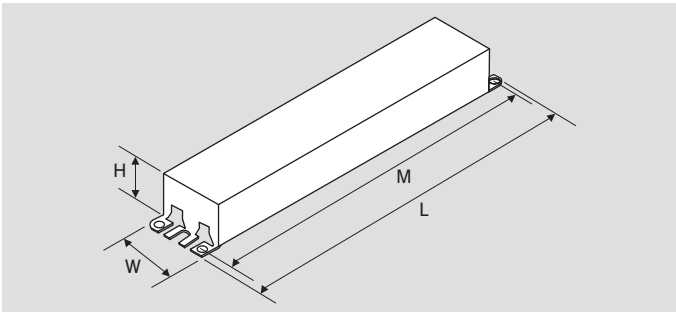


LAMP DIMENSIONS

A (Body Length)	35.19"
B (Illuminated Length)	32.36"
C (Diameter)	1.00"

NOMINAL LENGTH: 36"

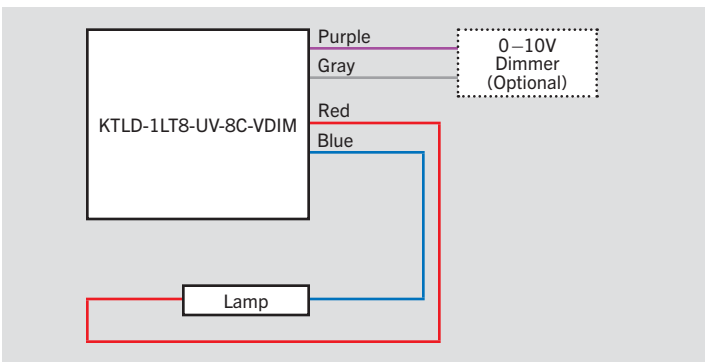
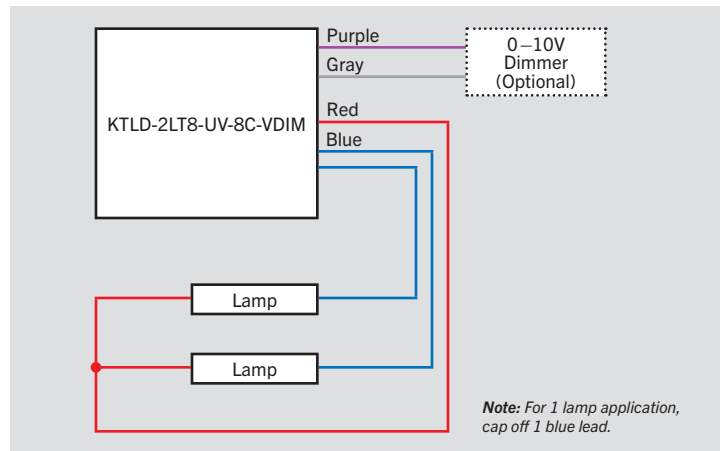
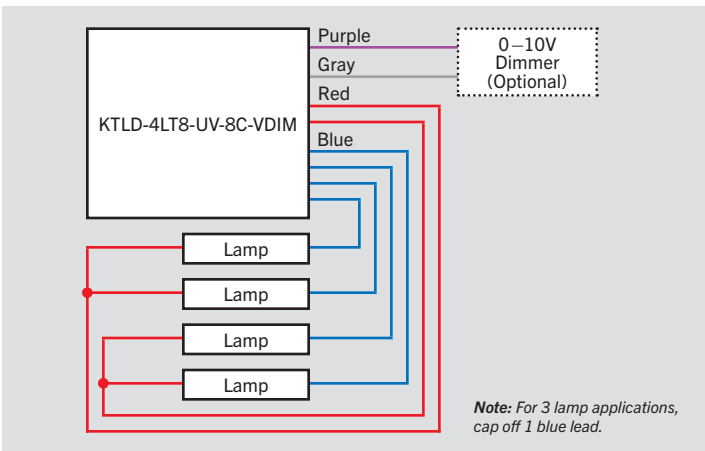
BASE TYPE: G13 (Medium Bi-Pin)



DRIVER DIMENSIONS

	KTLD-1LT8-UV-12C-VDIM	KTLD-2LT8-UV-12C-VDIM	KTLD-4LT8-UV-12C-VDIM
Length (L)	9.50"	9.50"	9.60"
Width (W)	1.30"	1.30"	1.80"
Height (H)	1.10"	1.10"	1.30"
Mounting (M)	8.90"	8.90"	8.90"

WIRING DIAGRAMS





EXTERNAL DRIVE LED
TYPE C LED TUBES

KT-LED12T8-36G-8XX-E

T8 LED LAMP

ORDERING INFORMATION

ORDER CODE	PACK QTY.	UPC	EASY CODE	DLC PRODUCT ID
KT-LED12T8-36G-835-E	25	843654120812	ATI-11	P3093I4S
KT-LED12T8-36G-840-E	25	843654120829	OVQ-61	PMC9I0MM
KT-LED12T8-36G-850-E	25	843654120836	RYK-47	P4LA9CEQ

CATALOG NUMBER BREAKDOWN

KT-LED12T8-36G-8XX-E

1 2 3 4 5 6 7 8 9

- 1 Keystone Technologies
- 2 LED Lamp
- 3 Wattage
- 4 Lamp Type
- 5 Nominal Length (Inches)
- 6 Glass Construction
- 7 80 CRI
- 8 Color Temperature
- 9 External Drive Series