

# GCA-2 | Roller central guides

Technopolymer, aluminium, stainless steel



- 1
- 2
- 3
- 4
- 5
- 6
- 7
- 8
- 9
- 10
- 11
- 12
- 13
- 14
- 15
- RH

## PROFILE

Anodised aluminium, natural colour, matte finish.

## PINS SUPPORT

Acetal resin based (POM) technopolymer, white colour.

## PINS

AISI 304 stainless steel.

## ROLLERS

Polyethylene based (PE) technopolymer, grey colour.

## STANDARD EXECUTIONS

- **GCA-2-RS**: with spherical contact rollers.
- **GCA-2-RC**: with cylindrical contact rollers.
- **GCA-2-RT**: with round contact rollers.

## FEATURES AND APPLICATIONS

GCA-2 central guides are self-supporting structures for the side guide of products with limited vertical dimensions on conveyor belts (Fig.1).

Depending on the product to transport, it is recommended to use:

- GCA-2-RS: for the guide of products in cans or in plastic containers;
- GCA-2-RC: for the guide of cardboard products, for a greater fluency;
- GCA-2-RT: for the guide of glass products, in case of accidental breakage they facilitate the expulsion of debris.

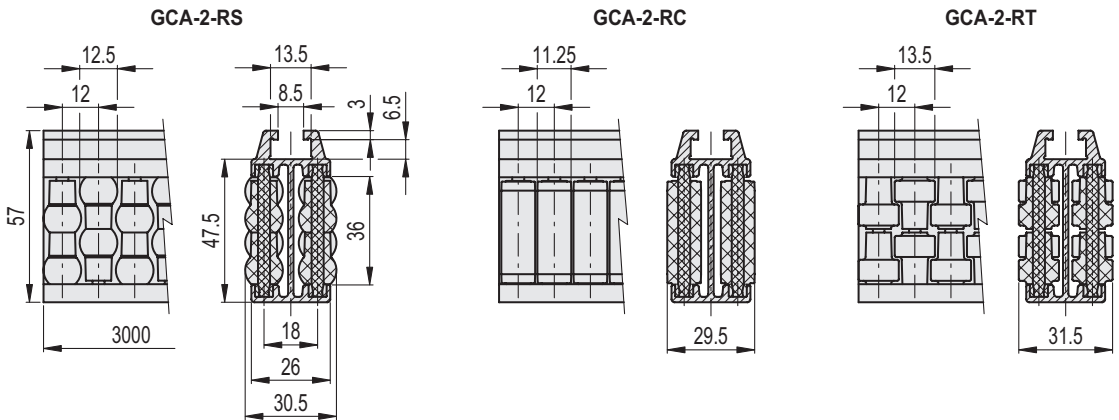
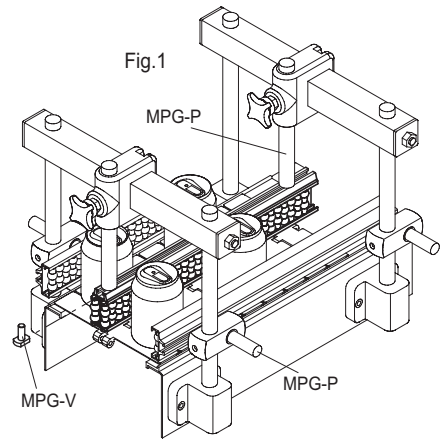
Supplied assembled in bars of 3 meters length.

## SPECIAL EXECUTIONS ON REQUEST

- Central guides with rollers in different colours.
- Central guides with pins in acetal resin based (POM) technopolymer.

## ACCESSORIES ON REQUEST

- BDG: zinc-plated steel connecting bar for guides.
- PGC-2: separation block for central guide.
- MPG-P: assembly pin.
- MPG-V: zinc-plated steel hammer head screw. (see GLA-1).



## GCA-2-RS

Code	Description	⚖️
419121	GCA-2-RS-57-3000	6600

## GCA-2-RC

Code	Description	⚖️
419122	GCA-2-RC-57-3000	6600

## GCA-2-RT

Code	Description	⚖️
419123	GCA-2-RT-57-3000	6600



Levelling elements and supports