

LS.A-SST | Levelling elements

Technopolymer base, stainless steel stem

INCH

INOX
STAINLESS
STEEL

RoHS

PA

NBR

+212 °F
-22 °F

- 1
- 2
- 3
- 4
- 5
- 6
- 7
- 8
- 9
- 10
- 11
- 12
- 13
- 14
- 15
- RH
-

BASE

Glass-fibre reinforced polyamide based (PA) technopolymer, black colour, matte finish.

ARTICULATED STEM

Threaded AISI 304 stainless steel with regulation hexagon.

STANDARD EXECUTIONS

- **LS.A-SST**: without no-slip disk.
- **LS.A-AS-SST**: with NBR rubber no-slip disk, hardness 70 Shore A, supplied assembled to the base.

FEATURES

The particular assembling system of the no-slip disk to the base assures a perfect anchoring, preventing separation even in case of impact during transport or of adhesion (sticking) to the floor (see No-slip disks on page 979).

ORDER INFORMATION

The levelling elements are supplied unassembled to make carriage and storage easier. The components (base and stem) are supplied in separate packing: less volume taken and better protection from scratches and dirt.

To order bases and stems separately, see:

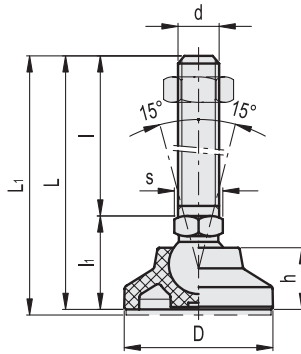
- table of possible combinations Bases/Stems (see page 983)
- the codes of the Bases (see page 980)
- the codes of the Stems (see page 985).

ACCESSORIES ON REQUEST

AISI 304 stainless steel nut (see Nuts NT. on page 979).



ELESA Original design



LS.A-SST

LS.A-AS-SST

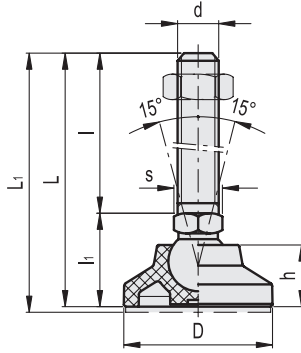
INOX
STAINLESS
STEEL

INCH

Code	Description	Code	Description	D	dA	L	L1#	l	It	h	s	Articulation ∅	Max. limit static load* [lbf]	⚖	⚖#
90351221	LS.A-25-14-SST-3/8-16x2	90356221	LS.A-25-14-AS-SST-3/8-16x2	0.98	3/8-16	2.94	3.06	2.000	0.94	0.47	9/16	0.55	1120	0.11	0.11
90351231	LS.A-25-14-SST-3/8-16x4	90356231	LS.A-25-14-AS-SST-3/8-16x4	0.98	3/8-16	4.94	5.06	4.000	0.94	0.47	9/16	0.55	1120	0.22	0.22
90351235	LS.A-25-14-SST-3/8-16x6	90356235	LS.A-25-14-AS-SST-3/8-16x6	0.98	3/8-16	6.94	7.06	6.000	0.94	0.47	9/16	0.55	1120	0.3	0.31
90351321	LS.A-25-14-SST-1/2-13x2	90356321	LS.A-25-14-AS-SST-1/2-13x2	0.98	1/2-13	2.94	3.06	2.000	0.94	0.47	9/16	0.55	1120	0.12	0.13
90351331	LS.A-25-14-SST-1/2-13x4	90356331	LS.A-25-14-AS-SST-1/2-13x4	0.98	1/2-13	4.94	5.06	4.000	0.94	0.47	9/16	0.55	1120	0.21	0.21
90351335	LS.A-25-14-SST-1/2-13x6	90356335	LS.A-25-14-AS-SST-1/2-13x6	0.98	1/2-13	6.94	7.06	6.000	0.94	0.47	9/16	0.55	1120	0.32	0.32
90351523	LS.A-25-14-SST-5/8-11x4	90356523	LS.A-25-14-AS-SST-5/8-11x4	0.98	5/8-11	4.94	5.06	4.000	0.94	0.47	5/8	0.55	1120	0.23	0.24
90351541	LS.A-25-14-SST-5/8-11x6	90356541	LS.A-25-14-AS-SST-5/8-11x6	0.98	5/8-11	6.94	7.06	6.000	0.94	0.47	5/8	0.55	1120	0.34	0.35
90351565	LS.A-25-14-SST-5/8-11x8	90356565	LS.A-25-14-AS-SST-5/8-11x8	0.98	5/8-11	8.94	9.06	8.000	0.94	0.47	5/8	0.55	1120	0.43	0.43

* The max static load is the value above which the load applied to the element may cause some plastic material breakage, in particular conditions of use. Obviously, a factor that takes into consideration the importance and the safety level of the specific application must be applied to this value.

Levelling elements and supports



LS.A-SST

LS.A-AS-SST

INOX STAINLESS STEEL INCH

Code	Description	Code	Description	D	d2A	L	L1#	l	l1	h	s	Articulation Ø	Max. limit static load* [lb]	⚖	⚖#
90352221	LS.A-32-14-SST-3/8-16x2	90357221	LS.A-32-14-AS-SST-3/8-16x2	1.26	3/8-16	2.98	3.1	2.000	0.98	0.59	9/16	0.55	1568	0.1	0.11
90352231	LS.A-32-14-SST-3/8-16x4	90357231	LS.A-32-14-AS-SST-3/8-16x4	1.26	3/8-16	4.98	5.1	4.000	0.98	0.59	9/16	0.55	1568	0.19	0.2
90352235	LS.A-32-14-SST-3/8-16x6	90357235	LS.A-32-14-AS-SST-3/8-16x6	1.26	3/8-16	6.98	7.1	6.000	0.98	0.59	9/16	0.55	1568	0.3	0.31
90352321	LS.A-32-14-SST-1/2-13x2	90357321	LS.A-32-14-AS-SST-1/2-13x2	1.26	1/2-13	2.98	3.1	2.000	0.98	0.59	9/16	0.55	1568	0.12	0.13
90352331	LS.A-32-14-SST-1/2-13x4	90357331	LS.A-32-14-AS-SST-1/2-13x4	1.26	1/2-13	4.98	5.1	4.000	0.98	0.59	9/16	0.55	1568	0.21	0.22
90352335	LS.A-32-14-SST-1/2-13x6	90357335	LS.A-32-14-AS-SST-1/2-13x6	1.26	1/2-13	6.98	7.1	6.000	0.98	0.59	9/16	0.55	1568	0.3	0.31
90352523	LS.A-32-14-SST-5/8-11x4	90357523	LS.A-32-14-AS-SST-5/8-11x4	1.26	5/8-11	4.98	5.1	4.000	0.98	0.59	5/8	0.55	1568	0.22	0.23
90352541	LS.A-32-14-SST-5/8-11x6	90357541	LS.A-32-14-AS-SST-5/8-11x6	1.26	5/8-11	6.98	7.1	6.000	0.98	0.59	5/8	0.55	1568	0.32	0.33
90352565	LS.A-32-14-SST-5/8-11x8	90357565	LS.A-32-14-AS-SST-5/8-11x8	1.26	5/8-11	8.98	9.1	8.000	0.98	0.59	5/8	0.55	1568	0.42	0.43
90353221	LS.A-40-14-SST-3/8-16x2	90358221	LS.A-40-14-AS-SST-3/8-16x2	1.57	3/8-16	2.98	3.1	2.000	0.98	0.67	9/16	0.55	2240	0.11	0.12
90353231	LS.A-40-14-SST-3/8-16x4	90358231	LS.A-40-14-AS-SST-3/8-16x4	1.57	3/8-16	4.98	5.1	4.000	0.98	0.67	9/16	0.55	2240	0.2	0.21
90353235	LS.A-40-14-SST-3/8-16x6	90358235	LS.A-40-14-AS-SST-3/8-16x6	1.57	3/8-16	6.98	7.1	6.000	0.98	0.67	9/16	0.55	2240	0.29	0.3
90353321	LS.A-40-14-SST-1/2-13x2	90358321	LS.A-40-14-AS-SST-1/2-13x2	1.57	1/2-13	2.98	3.1	2.000	0.98	0.67	9/16	0.55	2240	0.13	0.14
90353331	LS.A-40-14-SST-1/2-13x4	90358331	LS.A-40-14-AS-SST-1/2-13x4	1.57	1/2-13	4.98	5.1	4.000	0.98	0.67	9/16	0.55	2240	0.21	0.22
90353335	LS.A-40-14-SST-1/2-13x6	90358335	LS.A-40-14-AS-SST-1/2-13x6	1.57	1/2-13	6.98	7.1	6.000	0.98	0.67	9/16	0.55	2240	0.3	0.31
90353523	LS.A-40-14-SST-5/8-11x4	90358523	LS.A-40-14-AS-SST-5/8-11x4	1.57	5/8-11	4.98	5.1	4.000	0.98	0.67	5/8	0.55	2240	0.24	0.25
90353541	LS.A-40-14-SST-5/8-11x6	90358541	LS.A-40-14-AS-SST-5/8-11x6	1.57	5/8-11	6.98	7.1	6.000	0.98	0.67	5/8	0.55	2240	0.33	0.34
90353565	LS.A-40-14-SST-5/8-11x8	90358565	LS.A-40-14-AS-SST-5/8-11x8	1.57	5/8-11	8.98	9.1	8.000	0.98	0.67	5/8	0.55	2240	0.44	0.45
90354221	LS.A-50-14-SST-3/8-16x2	90359221	LS.A-50-14-AS-SST-3/8-16x2	1.97	3/8-16	3.06	3.18	2.000	1.06	0.75	9/16	0.55	2240	0.13	0.13
90354231	LS.A-50-14-SST-3/8-16x4	90359231	LS.A-50-14-AS-SST-3/8-16x4	1.97	3/8-16	5.06	5.18	4.000	1.06	0.75	9/16	0.55	2240	0.24	0.24
90354235	LS.A-50-14-SST-3/8-16x6	90359235	LS.A-50-14-AS-SST-3/8-16x6	1.97	3/8-16	7.06	7.18	6.000	1.06	0.75	9/16	0.55	2240	0.33	0.33
90354321	LS.A-50-14-SST-1/2-13x2	90359321	LS.A-50-14-AS-SST-1/2-13x2	1.97	1/2-13	3.06	3.18	2.000	1.06	0.75	9/16	0.55	2240	0.14	0.15
90354331	LS.A-50-14-SST-1/2-13x4	90359331	LS.A-50-14-AS-SST-1/2-13x4	1.97	1/2-13	5.06	5.18	4.000	1.06	0.75	9/16	0.55	2240	0.25	0.26
90354335	LS.A-50-14-SST-1/2-13x6	90359335	LS.A-50-14-AS-SST-1/2-13x6	1.97	1/2-13	7.06	7.18	6.000	1.06	0.75	9/16	0.55	2240	0.34	0.35
90354523	LS.A-50-14-SST-5/8-11x4	90359523	LS.A-50-14-AS-SST-5/8-11x4	1.97	5/8-11	5.06	5.18	4.000	1.06	0.75	5/8	0.55	2240	0.27	0.28
90354541	LS.A-50-14-SST-5/8-11x6	90359541	LS.A-50-14-AS-SST-5/8-11x6	1.97	5/8-11	7.06	7.18	6.000	1.06	0.75	5/8	0.55	2240	0.36	0.37
90354565	LS.A-50-14-SST-5/8-11x8	90359565	LS.A-50-14-AS-SST-5/8-11x8	1.97	5/8-11	9.06	9.18	8.000	1.06	0.75	5/8	0.55	2240	0.45	0.46

* The max static load is the value above which the load applied to the element may cause some plastic material breakage, in particular conditions of use. Obviously, a factor that takes into consideration the importance and the safety level of the specific application must be applied to this value.



Levelling elements and supports