

- 1
- 2
- 3
- 4
- 5
- 6
- 7
- 8
- 9
- 10
- 11
- 12
- 13
- 14
- 15
- RH
-

BASE

Glass-fibre reinforced polyamide based (PA) technopolymer, black colour, matte finish.

ARTICULATED STEM

Threaded AISI 304 stainless steel with adjusting square.

STANDARD EXECUTIONS

- **LSQ.A-SST**: without no-slip disk.
- **LSQ.A-AS-SST**: with NBR rubber no-slip disk, hardness 70 Shore A, supplied assembled to the base.

FEATURES

The particular assembling system of the no-slip disk to the base assures a perfect anchoring, preventing separation even in case of impact while handling or adhesion (sticking) to the floor (see No-slip disks on page 979).

ORDER INFORMATION

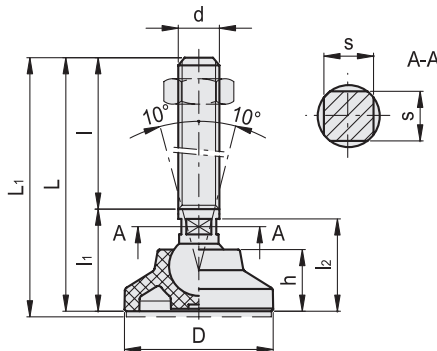
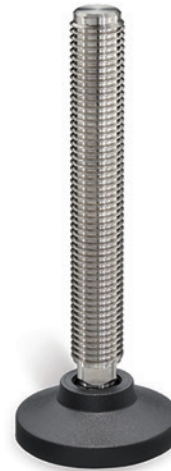
The levelling elements are supplied unassembled to make carriage and storage easier. The components (base and stem) are supplied in separate packing: less volume taken and better protection from scratches and dirt.

To order bases and stems separately, see:

- table of possible combinations Bases/Stems (see page 983)
- the codes of the Bases (see page 980)
- the codes of the Stems (see page 985).

ACCESSORIES ON REQUEST

AISI 304 stainless steel nut (see Nuts NT. on page 979).

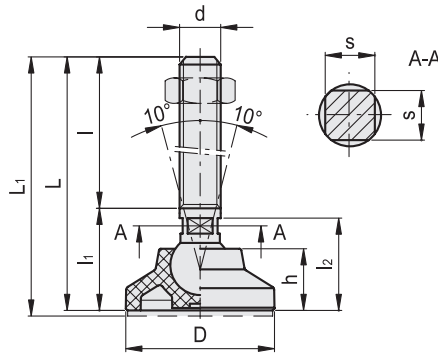


LSQ.A-SST

LSQ.A-AS-SST

Code	Description	Code	Description	D	d2A	L	L1#	l	l1	l2	d2	s	Articulation ∅	Max. limit static load* [lbf]	⚖	⚖ #
90360001	LSQ.A-25-8.5-SST-1/2-13x3	90360501	LSQ.A-25-8.5-AS-SST-1/2-13x3	0.98	1/2-13	3.74	3.86	3.000	0.75	0.73	0.47	3/8	0.33	1120	0.15	0.15
90360003	LSQ.A-25-8.5-SST-1/2-13x4	90360503	LSQ.A-25-8.5-AS-SST-1/2-13x4	0.98	1/2-13	4.72	4.84	4.000	0.75	0.73	0.47	3/8	0.33	1120	0.31	0.32
90360005	LSQ.A-25-8.5-SST-1/2-13x6	90360505	LSQ.A-25-8.5-AS-SST-1/2-13x6	0.98	1/2-13	6.73	6.85	6.000	0.75	0.73	0.47	3/8	0.33	1120	0.15	0.15
90360033	LSQ.A-25-14-SST-5/8-11x4	90360533	LSQ.A-25-14-AS-SST-5/8-11x4	0.98	5/8-11	4.92	5.04	4.000	0.94	0.89	0.47	1/2	0.33	1568	0.35	0.36
90360035	LSQ.A-25-14-SST-5/8-11x6	90360535	LSQ.A-25-14-AS-SST-5/8-11x6	0.98	5/8-11	6.93	7.05	6.000	0.94	0.89	0.47	1/2	0.33	1568	0.53	0.54
90360037	LSQ.A-25-14-SST-5/8-11x8	90360537	LSQ.A-25-14-AS-SST-5/8-11x8	0.98	5/8-11	8.94	9.06	8.000	0.94	0.89	0.47	1/2	0.33	1568	0.71	0.71

* The max static load is the value above which the load applied to the element may cause some plastic material breakage, in particular conditions of use. Obviously, a factor that takes into consideration the importance and the safety level of the specific application must be applied to this value.



LSQ.A-SST

LSQ.A-AS-SST

INOX STAINLESS STEEL INCH

Code	Description	Code	Description	D	d2A	L	L1#	I	l1	l2	d2	s	Articulation ∅	Max.limit static load* [lbf]	Δ	Δ#
90360101	LSQ.A-32-8.5-SST-1/2-13x3	90360601	LSQ.A-32-8.5-AS-SST-1/2-13x3	1.26	1/2-13	3.78	3.9	3.000	0.79	0.73	0.59	3/8	0.33	1344	0.16	0.17
90360103	LSQ.A-32-8.5-SST-1/2-13x4	90360603	LSQ.A-32-8.5-AS-SST-1/2-13x4	1.26	1/2-13	4.76	4.88	4.000	0.79	0.73	0.59	3/8	0.33	1344	0.21	0.22
90360105	LSQ.A-32-8.5-SST-1/2-13x6	90360605	LSQ.A-32-8.5-AS-SST-1/2-13x6	1.26	1/2-13	6.77	6.89	6.000	0.79	0.73	0.59	3/8	0.33	1344	0.32	0.33
90360133	LSQ.A-32-14-SST-5/8-11x4	90360633	LSQ.A-32-14-AS-SST-5/8-11x4	1.26	5/8-11	4.96	5.08	4.000	0.94	0.89	0.59	1/2	0.55	2240	0.36	0.37
90360135	LSQ.A-32-14-SST-5/8-11x6	90360635	LSQ.A-32-14-AS-SST-5/8-11x6	1.26	5/8-11	6.97	7.09	6.000	0.94	0.89	0.59	1/2	0.55	2240	0.54	0.55
90360137	LSQ.A-32-14-SST-5/8-11x8	90360637	LSQ.A-32-14-AS-SST-5/8-11x8	1.26	5/8-11	8.98	9.09	8.000	0.94	0.89	0.59	1/2	0.55	2240	0.72	0.72
90360201	LSQ.A-40-8.5-SST-1/2-13x3	90360701	LSQ.A-40-8.5-AS-SST-1/2-13x3	1.57	1/2-13	3.82	3.94	3.000	0.83	0.73	0.67	3/8	0.33	1568	0.17	0.18
90360203	LSQ.A-40-8.5-SST-1/2-13x4	90360703	LSQ.A-40-8.5-AS-SST-1/2-13x4	1.57	1/2-13	4.8	4.92	4.000	0.83	0.73	0.67	3/8	0.33	1568	0.17	0.18
90360205	LSQ.A-40-8.5-SST-1/2-13x6	90360705	LSQ.A-40-8.5-AS-SST-1/2-13x6	1.57	1/2-13	6.81	6.93	6.000	0.83	0.73	0.67	3/8	0.33	1568	0.33	0.35
90360233	LSQ.A-40-14-SST-5/8-11x4	90360733	LSQ.A-40-14-AS-SST-5/8-11x4	1.57	5/8-11	5	5.12	4.000	0.98	0.93	0.67	1/2	0.55	2688	0.37	0.39
90360235	LSQ.A-40-14-SST-5/8-11x6	90360735	LSQ.A-40-14-AS-SST-5/8-11x6	1.57	5/8-11	7.01	7.13	6.000	0.98	0.93	0.67	1/2	0.55	2688	0.55	0.57
90360237	LSQ.A-40-14-SST-5/8-11x8	90360737	LSQ.A-40-14-AS-SST-5/8-11x8	1.57	5/8-11	9.02	9.13	8.000	0.98	0.93	0.67	1/2	0.55	2688	0.73	0.74
90360301	LSQ.A-50-8.5-SST-1/2-13x3	90360801	LSQ.A-50-8.5-AS-SST-1/2-13x3	1.97	1/2-13	3.9	4.02	3.000	0.91	0.85	0.75	3/8	0.33	1568	0.18	0.21
90360303	LSQ.A-50-8.5-SST-1/2-13x4	90360803	LSQ.A-50-8.5-AS-SST-1/2-13x4	1.97	1/2-13	4.88	5	4.000	0.91	0.85	0.75	3/8	0.33	1568	0.24	0.26
90360305	LSQ.A-50-8.5-SST-1/2-13x6	90360805	LSQ.A-50-8.5-AS-SST-1/2-13x6	1.97	1/2-13	6.89	7.01	6.000	0.91	0.85	0.75	3/8	0.33	1568	0.35	0.37
90360333	LSQ.A-50-14-SST-5/8-11x4	90360833	LSQ.A-50-14-AS-SST-5/8-11x4	1.97	5/8-11	5.08	5.2	4.000	1.06	1	0.75	1/2	0.55	2688	0.39	0.41
90360335	LSQ.A-50-14-SST-5/8-11x6	90360835	LSQ.A-50-14-AS-SST-5/8-11x6	1.97	5/8-11	7.09	7.2	6.000	1.06	1	0.75	1/2	0.55	2688	0.56	0.59
90360337	LSQ.A-50-14-SST-5/8-11x8	90360837	LSQ.A-50-14-AS-SST-5/8-11x8	1.97	5/8-11	9.09	9.21	8.000	1.06	1	0.75	1/2	0.55	2688	0.74	0.77

* The max static load is the value above which the load applied to the element may cause some plastic material breakage, in particular conditions of use. Obviously, a factor that takes into consideration the importance and the safety level of the specific application must be applied to this value.

