



**BASE**

Glass-fibre reinforced polyamide based (PA) special conductive technopolymer, black colour, matte finish.

Surface resistivity =  $10^3 \Omega$  (ASTM D257 measuring method).

Volume resistivity =  $10^3 \Omega\text{cm}$  (ASTM D257 measuring method).

**ARTICULATED STEM**

Threaded AISI 304 stainless steel with regulation hexagon.

**STANDARD EXECUTIONS**

- LV.A-SST-ESC-C: without no-slip disk.
- LV.A-AS-SST-ESD-C: with NBR conductive rubber, hardness 70 Shore A, supplied assembled.

Surface resistivity =  $10^3 \Omega$  (ASTM D257 measuring method).

Volume resistivity =  $10^3 \Omega\text{cm}$  (ASTM D257 measuring method).

**FEATURES AND APPLICATIONS**

The special conductive technopolymer (ESD-C Electrostatic Discharge Conductive) prevents the accumulation of electrostatic charge.

The bases are suitable for "ESD PROTECTED AREA" (EPA) where components, which are susceptible to electrostatic discharges, are handled. The (ESD-C) indelibly printed mark on the surface of the levelling elements bases identifies the particular conductive features of the material according to EN 100015/1 and IEC 61340-5-1.

The particular assembling system of the no-slip disk to the base assures a perfect anchoring, preventing separation even in case of impact during transport or of adhesion (sticking) to the floor (see No-slip disks on page 979).

**ORDER INFORMATION**

The levelling elements are supplied unassembled to make carriage and storage easier. The components (base and stem) are supplied in separate packing: less volume taken and better protection from scratches and dirt.

To order bases and stems separately, see:

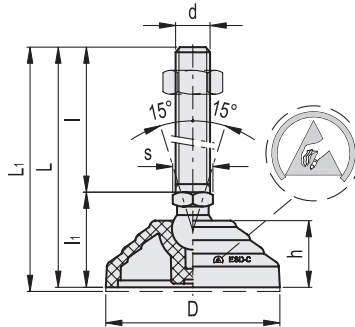
- table of possible combinations Bases/Stems (see page 984)
- the codes of the Bases (see page 838)
- the codes of the Stems (see page 986).

**ACCESSORIES ON REQUEST**

AISI 304 stainless steel nut (see Nuts NT. on page 979).



ELESA Original design



| Conversion Table  |      |
|-------------------|------|
| 1 mm = 0.039 inch |      |
| D                 |      |
| mm                | inch |
| 60                | 2.36 |
| 70                | 2.76 |
| 80                | 3.15 |
| 100               | 3.94 |
| 125               | 4.92 |

**LV.A-SST-ESD-C**

**LV.A-AS-SST-ESD-C**



| Code       | Description                  | Code       | Description                     | D  | d   | L   | L1# | I   | I1 | h  | s  | Articulation $\emptyset$ | Max. limit static load* [N] | #   |     |
|------------|------------------------------|------------|---------------------------------|----|-----|-----|-----|-----|----|----|----|--------------------------|-----------------------------|-----|-----|
| 323121-ESD | LV.A-60-14-SST-M8x43-ESD-C   | 327121-ESD | LV.A-60-14-AS-SST-M8x43-ESD-C   | 60 | M8  | 76  | 79  | 43  | 33 | 24 | 14 | 14                       | 14000                       | 63  | 82  |
| 323125-ESD | LV.A-60-14-SST-M8x68-ESD-C   | 327125-ESD | LV.A-60-14-AS-SST-M8x68-ESD-C   | 60 | M8  | 101 | 104 | 68  | 33 | 24 | 14 | 14                       | 14000                       | 75  | 94  |
| 323221-ESD | LV.A-60-14-SST-M10x43-ESD-C  | 327221-ESD | LV.A-60-14-AS-SST-M10x43-ESD-C  | 60 | M10 | 76  | 79  | 43  | 33 | 24 | 14 | 14                       | 14000                       | 72  | 91  |
| 323225-ESD | LV.A-60-14-SST-M10x68-ESD-C  | 327225-ESD | LV.A-60-14-AS-SST-M10x68-ESD-C  | 60 | M10 | 101 | 104 | 68  | 33 | 24 | 14 | 14                       | 14000                       | 85  | 104 |
| 323231-ESD | LV.A-60-14-SST-M10x98-ESD-C  | 327231-ESD | LV.A-60-14-AS-SST-M10x98-ESD-C  | 60 | M10 | 131 | 134 | 98  | 33 | 24 | 14 | 14                       | 14000                       | 99  | 118 |
| 323321-ESD | LV.A-60-14-SST-M12x43-ESD-C  | 327321-ESD | LV.A-60-14-AS-SST-M12x43-ESD-C  | 60 | M12 | 76  | 79  | 43  | 33 | 24 | 14 | 14                       | 14000                       | 82  | 101 |
| 323325-ESD | LV.A-60-14-SST-M12x68-ESD-C  | 327325-ESD | LV.A-60-14-AS-SST-M12x68-ESD-C  | 60 | M12 | 101 | 104 | 68  | 33 | 24 | 14 | 14                       | 14000                       | 100 | 119 |
| 323331-ESD | LV.A-60-14-SST-M12x98-ESD-C  | 327331-ESD | LV.A-60-14-AS-SST-M12x98-ESD-C  | 60 | M12 | 131 | 134 | 98  | 33 | 24 | 14 | 14                       | 14000                       | 122 | 141 |
| 323421-ESD | LV.A-60-14-SST-M14x68-ESD-C  | 327421-ESD | LV.A-60-14-AS-SST-M14x68-ESD-C  | 60 | M14 | 101 | 104 | 68  | 33 | 24 | 14 | 14                       | 14000                       | 123 | 142 |
| 323431-ESD | LV.A-60-14-SST-M14x98-ESD-C  | 327431-ESD | LV.A-60-14-AS-SST-M14x98-ESD-C  | 60 | M14 | 131 | 134 | 98  | 33 | 24 | 14 | 14                       | 14000                       | 144 | 163 |
| 323441-ESD | LV.A-60-14-SST-M14X148-ESD-C | 327441-ESD | LV.A-60-14-AS-SST-M14X148-ESD-C | 60 | M14 | 181 | 184 | 148 | 33 | 24 | 14 | 14                       | 14000                       | 227 | 246 |
| 323521-ESD | LV.A-60-14-SST-M16x68-ESD-C  | 327521-ESD | LV.A-60-14-AS-SST-M16x68-ESD-C  | 60 | M16 | 101 | 104 | 68  | 33 | 24 | 16 | 14                       | 14000                       | 145 | 164 |
| 323525-ESD | LV.A-60-14-SST-M16x108-ESD-C | 327525-ESD | LV.A-60-14-AS-SST-M16x108-ESD-C | 60 | M16 | 141 | 144 | 108 | 33 | 24 | 16 | 14                       | 14000                       | 199 | 218 |
| 323541-ESD | LV.A-60-14-SST-M16x148-ESD-C | 327541-ESD | LV.A-60-14-AS-SST-M16x148-ESD-C | 60 | M16 | 181 | 184 | 148 | 33 | 24 | 16 | 14                       | 14000                       | 252 | 271 |
| 323561-ESD | LV.A-60-14-SST-M16x168-ESD-C | 327561-ESD | LV.A-60-14-AS-SST-M16x168-ESD-C | 60 | M16 | 201 | 204 | 168 | 33 | 24 | 16 | 14                       | 14000                       | 279 | 298 |

\* The max static load is the value above which the load applied to the element may cause some plastic material breakage, in particular conditions of use. Obviously, a factor that takes into consideration the importance and the safety level of the specific application must be applied to this value.

# Data with no-slip disk mounted.

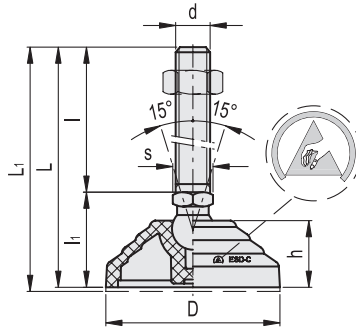


Levelling elements and supports



Levelling elements and supports

| Conversion Table  |      |
|-------------------|------|
| 1 mm = 0.039 inch |      |
| mm                | inch |
| 60                | 2.36 |
| 70                | 2.76 |
| 80                | 3.15 |
| 100               | 3.94 |
| 125               | 4.92 |



LVA-SST-ESD-C

LVA-AS-SST-ESD-C

INOX STAINLESS STEEL METRIC

| Code       | Description                 | Code       | Description                    | D  | d   | L   | L1# | l   | li | h  | s  | Articulation<br>∅ | Max. limit<br>static load*<br>[N] | ⚖️  | ⚖️# |
|------------|-----------------------------|------------|--------------------------------|----|-----|-----|-----|-----|----|----|----|-------------------|-----------------------------------|-----|-----|
| 323621-ESD | LVA-60-24-SST-M16x58-ESD-C  | 327621-ESD | LVA-60-24-AS-SST-M16x58-ESD-C  | 60 | M16 | 101 | 104 | 58  | 43 | 24 | 24 | 24                | 18000                             | 208 | 227 |
| 323625-ESD | LVA-60-24-SST-M16x98-ESD-C  | 327625-ESD | LVA-60-24-AS-SST-M16x98-ESD-C  | 60 | M16 | 141 | 144 | 98  | 43 | 24 | 24 | 24                | 18000                             | 260 | 279 |
| 323641-ESD | LVA-60-24-SST-M16x138-ESD-C | 327641-ESD | LVA-60-24-AS-SST-M16x138-ESD-C | 60 | M16 | 181 | 184 | 138 | 43 | 24 | 24 | 24                | 18000                             | 311 | 330 |
| 323661-ESD | LVA-60-24-SST-M16x158-ESD-C | 327661-ESD | LVA-60-24-AS-SST-M16x158-ESD-C | 60 | M16 | 201 | 204 | 158 | 43 | 24 | 24 | 24                | 18000                             | 339 | 358 |
| 323725-ESD | LVA-60-24-SST-M20x98-ESD-C  | 327725-ESD | LVA-60-24-AS-SST-M20x98-ESD-C  | 60 | M20 | 141 | 144 | 98  | 43 | 24 | 24 | 24                | 18000                             | 332 | 351 |
| 323741-ESD | LVA-60-24-SST-M20x138-ESD-C | 327741-ESD | LVA-60-24-AS-SST-M20x138-ESD-C | 60 | M20 | 181 | 184 | 138 | 43 | 24 | 24 | 24                | 18000                             | 412 | 431 |
| 323761-ESD | LVA-60-24-SST-M20x158-ESD-C | 327761-ESD | LVA-60-24-AS-SST-M20x158-ESD-C | 60 | M20 | 201 | 204 | 158 | 43 | 24 | 24 | 24                | 18000                             | 452 | 471 |
| 323781-ESD | LVA-60-24-SST-M20x198-ESD-C | 327781-ESD | LVA-60-24-AS-SST-M20x198-ESD-C | 60 | M20 | 241 | 244 | 198 | 43 | 24 | 24 | 24                | 18000                             | 537 | 556 |
| 323825-ESD | LVA-60-24-SST-M24x98-ESD-C  | 327825-ESD | LVA-60-24-AS-SST-M24x98-ESD-C  | 60 | M24 | 141 | 144 | 98  | 43 | 24 | 24 | 24                | 18000                             | 432 | 451 |
| 323861-ESD | LVA-60-24-SST-M24x158-ESD-C | 327861-ESD | LVA-60-24-AS-SST-M24x158-ESD-C | 60 | M24 | 201 | 204 | 158 | 43 | 24 | 24 | 24                | 18000                             | 607 | 626 |
| 323881-ESD | LVA-60-24-SST-M24x198-ESD-C | 327881-ESD | LVA-60-24-AS-SST-M24x198-ESD-C | 60 | M24 | 241 | 244 | 198 | 43 | 24 | 24 | 24                | 18000                             | 728 | 747 |
| 324005-ESD | LVA-70-14-SST-M8x43-ESD-C   | 328005-ESD | LVA-70-14-AS-SST-M8x43-ESD-C   | 70 | M8  | 71  | 74  | 43  | 28 | 19 | 14 | 14                | 14000                             | 61  | 81  |
| 324011-ESD | LVA-70-14-SST-M8x68-ESD-C   | 328011-ESD | LVA-70-14-AS-SST-M8x68-ESD-C   | 70 | M8  | 96  | 99  | 68  | 28 | 19 | 14 | 14                | 14000                             | 73  | 93  |
| 324021-ESD | LVA-70-14-SST-M10x43-ESD-C  | 328021-ESD | LVA-70-14-AS-SST-M10x43-ESD-C  | 70 | M10 | 71  | 74  | 43  | 28 | 19 | 14 | 14                | 14000                             | 70  | 90  |
| 324025-ESD | LVA-70-14-SST-M10x68-ESD-C  | 328025-ESD | LVA-70-14-AS-SST-M10x68-ESD-C  | 70 | M10 | 96  | 99  | 68  | 28 | 19 | 14 | 14                | 14000                             | 84  | 103 |
| 324031-ESD | LVA-70-14-SST-M10x98-ESD-C  | 328031-ESD | LVA-70-14-AS-SST-M10x98-ESD-C  | 70 | M10 | 126 | 129 | 98  | 28 | 19 | 14 | 14                | 14000                             | 97  | 117 |
| 324061-ESD | LVA-70-14-SST-M12x43-ESD-C  | 328061-ESD | LVA-70-14-AS-SST-M12x43-ESD-C  | 70 | M12 | 71  | 74  | 43  | 28 | 19 | 14 | 14                | 14000                             | 80  | 100 |
| 324065-ESD | LVA-70-14-SST-M12x68-ESD-C  | 328065-ESD | LVA-70-14-AS-SST-M12x68-ESD-C  | 70 | M12 | 96  | 99  | 68  | 28 | 19 | 14 | 14                | 14000                             | 98  | 118 |
| 324071-ESD | LVA-70-14-SST-M12x98-ESD-C  | 328071-ESD | LVA-70-14-AS-SST-M12x98-ESD-C  | 70 | M12 | 126 | 129 | 98  | 28 | 19 | 14 | 14                | 14000                             | 120 | 140 |
| 324075-ESD | LVA-70-14-SST-M14x68-ESD-C  | 328075-ESD | LVA-70-14-AS-SST-M14x68-ESD-C  | 70 | M14 | 96  | 99  | 68  | 28 | 19 | 14 | 14                | 14000                             | 121 | 141 |
| 324081-ESD | LVA-70-14-SST-M14x98-ESD-C  | 328081-ESD | LVA-70-14-AS-SST-M14x98-ESD-C  | 70 | M14 | 126 | 129 | 98  | 28 | 19 | 14 | 14                | 14000                             | 142 | 162 |
| 324085-ESD | LVA-70-14-SST-M14x148-ESD-C | 328085-ESD | LVA-70-14-AS-SST-M14x148-ESD-C | 70 | M14 | 176 | 179 | 148 | 28 | 19 | 14 | 14                | 14000                             | 225 | 245 |
| 324101-ESD | LVA-70-14-SST-M16x68-ESD-C  | 328101-ESD | LVA-70-14-AS-SST-M16x68-ESD-C  | 70 | M16 | 96  | 99  | 68  | 28 | 19 | 16 | 14                | 14000                             | 143 | 163 |
| 324105-ESD | LVA-70-14-SST-M16x108-ESD-C | 328105-ESD | LVA-70-14-AS-SST-M16x108-ESD-C | 70 | M16 | 136 | 139 | 108 | 28 | 19 | 16 | 14                | 14000                             | 197 | 217 |
| 324111-ESD | LVA-70-14-SST-M16x148-ESD-C | 328111-ESD | LVA-70-14-AS-SST-M16x148-ESD-C | 70 | M16 | 176 | 179 | 148 | 28 | 19 | 16 | 14                | 14000                             | 250 | 270 |
| 324115-ESD | LVA-70-14-SST-M16x168-ESD-C | 328115-ESD | LVA-70-14-AS-SST-M16x168-ESD-C | 70 | M16 | 196 | 199 | 168 | 28 | 19 | 16 | 14                | 14000                             | 277 | 297 |
| 324121-ESD | LVA-80-14-SST-M8x43-ESD-C   | 328121-ESD | LVA-80-14-AS-SST-M8x43-ESD-C   | 80 | M8  | 76  | 79  | 43  | 33 | 24 | 14 | 14                | 16000                             | 84  | 110 |
| 324125-ESD | LVA-80-14-SST-M8x68-ESD-C   | 328125-ESD | LVA-80-14-AS-SST-M8x68-ESD-C   | 80 | M8  | 101 | 104 | 68  | 33 | 24 | 14 | 14                | 16000                             | 96  | 122 |
| 324221-ESD | LVA-80-14-SST-M10x43-ESD-C  | 328221-ESD | LVA-80-14-AS-SST-M10x43-ESD-C  | 80 | M10 | 76  | 79  | 43  | 33 | 24 | 14 | 14                | 16000                             | 93  | 119 |
| 324225-ESD | LVA-80-14-SST-M10x68-ESD-C  | 328225-ESD | LVA-80-14-AS-SST-M10x68-ESD-C  | 80 | M10 | 101 | 104 | 68  | 33 | 24 | 14 | 14                | 16000                             | 106 | 132 |
| 324231-ESD | LVA-80-14-SST-M10x98-ESD-C  | 328231-ESD | LVA-80-14-AS-SST-M10x98-ESD-C  | 80 | M10 | 131 | 134 | 98  | 33 | 24 | 14 | 14                | 16000                             | 120 | 146 |
| 324321-ESD | LVA-80-14-SST-M12x43-ESD-C  | 328321-ESD | LVA-80-14-AS-SST-M12x43-ESD-C  | 80 | M12 | 76  | 79  | 43  | 33 | 24 | 14 | 14                | 16000                             | 103 | 129 |
| 324325-ESD | LVA-80-14-SST-M12x68-ESD-C  | 328325-ESD | LVA-80-14-AS-SST-M12x68-ESD-C  | 80 | M12 | 101 | 104 | 68  | 33 | 24 | 14 | 14                | 16000                             | 121 | 147 |
| 324331-ESD | LVA-80-14-SST-M12x98-ESD-C  | 328331-ESD | LVA-80-14-AS-SST-M12x98-ESD-C  | 80 | M12 | 131 | 134 | 98  | 33 | 24 | 14 | 14                | 16000                             | 143 | 169 |
| 324421-ESD | LVA-80-14-SST-M14x68-ESD-C  | 328421-ESD | LVA-80-14-AS-SST-M14x68-ESD-C  | 80 | M14 | 101 | 104 | 68  | 33 | 24 | 14 | 14                | 16000                             | 144 | 170 |
| 324431-ESD | LVA-80-14-SST-M14x98-ESD-C  | 328431-ESD | LVA-80-14-AS-SST-M14x98-ESD-C  | 80 | M14 | 131 | 134 | 98  | 33 | 24 | 14 | 14                | 16000                             | 165 | 191 |
| 324441-ESD | LVA-80-14-SST-M14x148-ESD-C | 328441-ESD | LVA-80-14-AS-SST-M14x148-ESD-C | 80 | M14 | 181 | 184 | 148 | 33 | 24 | 14 | 14                | 16000                             | 248 | 274 |
| 324521-ESD | LVA-80-14-SST-M16x68-ESD-C  | 328521-ESD | LVA-80-14-AS-SST-M16x68-ESD-C  | 80 | M16 | 101 | 104 | 68  | 33 | 24 | 16 | 14                | 16000                             | 166 | 192 |
| 324525-ESD | LVA-80-14-SST-M16x108-ESD-C | 328525-ESD | LVA-80-14-AS-SST-M16x108-ESD-C | 80 | M16 | 141 | 144 | 108 | 33 | 24 | 16 | 14                | 16000                             | 220 | 246 |
| 324541-ESD | LVA-80-14-SST-M16x148-ESD-C | 328541-ESD | LVA-80-14-AS-SST-M16x148-ESD-C | 80 | M16 | 181 | 184 | 148 | 33 | 24 | 16 | 14                | 16000                             | 273 | 299 |
| 324561-ESD | LVA-80-14-SST-M16x168-ESD-C | 328561-ESD | LVA-80-14-AS-SST-M16x168-ESD-C | 80 | M16 | 201 | 204 | 168 | 33 | 24 | 16 | 14                | 16000                             | 300 | 326 |

\* The max static load is the value above which the load applied to the element may cause some plastic material breakage, in particular conditions of use. Obviously, a factor that takes into consideration the importance and the safety level of the specific application must be applied to this value.

# Data with no-slip disk mounted.

