

BASE

Glass-fibre reinforced polyamide based (PA) technopolymer, black colour, matte finish.

ARTICULATED STEM

Threaded AISI 304 stainless steel with regulation hexagon.

STANDARD EXECUTIONS

- **LV.F-SST**: without no-slip disk.
- **LV.F-AS-SST**: with NBR rubber no-slip disk, hardness 70 Shore A, supplied assembled to the base.

GROUND MOUNTING

By means of two holes at 180°, supplied covered by a diaphragm (which can be easily removed by a metal tool), to avoid all unhealthy deposits of dirt and dust when the ground mounting is not required (see Fig. 1).

FEATURES

The special knurling under the lower lip of the base provides excellent stability and grip when using the levelling element without no-slip disk even on surfaces that are not perfectly flat.

The particular assembling system of the no-slip disk to the base assures a perfect anchoring, preventing separation even in case of impact during transport or of adhesion (sticking) to the floor (see No-slip disks on page 979).

ORDER INFORMATION

The levelling elements are supplied unassembled to make carriage and storage easier. The components (base and stem) are supplied in separate packing: less volume taken and better protection from scratches and dirt.

To order bases and stems separately, see:

- table of possible combinations Bases/Stems (see page 983)
- the codes of the Bases (see page 980)
- the codes of the Stems (see page -985).

ACCESSORIES ON REQUEST

AISI 304 stainless steel nut (see Nuts NT. on page 979).



ELESA Original design

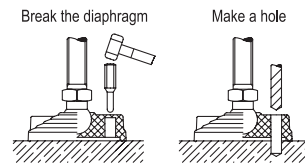
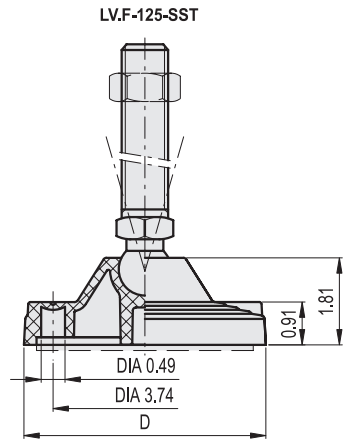
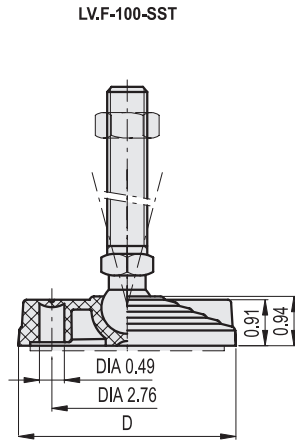
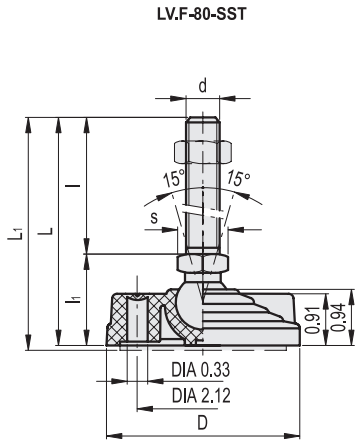


Fig.1

- 1
- 2
- 3
- 4
- 5
- 6
- 7
- 8
- 9
- 10**
- 11
- 12
- 13
- 14
- 15
- RH**
-



LV.F-SST

LV.F-AS-SST



Code	Description	Code	Description	D	d2A	L	L1#	l	li	s	Articulation Ø	Max. limit static load* [lbf]	⚖️	⚖️ #
90331221	LV.F-80-14-SST-3/8-16x2	90334221	LV.F-80-14-AS-SST-3/8-16x2	3.15	3/8-16	3.3	3.42	2.000	1.3	9/16	0.55	3584	0.24	0.3
90331231	LV.F-80-14-SST-3/8-16x4	90334231	LV.F-80-14-AS-SST-3/8-16x4	3.15	3/8-16	5.3	5.42	4.000	1.3	9/16	0.55	3584	0.27	0.33
90331235	LV.F-80-14-SST-3/8-16x6	90334235	LV.F-80-14-AS-SST-3/8-16x6	3.15	3/8-16	7.3	7.42	6.000	1.3	9/16	0.55	3584	0.3	0.35
90331321	LV.F-80-14-SST-1/2-13x2	90334321	LV.F-80-14-AS-SST-1/2-13x2	3.15	1/2-13	3.3	3.42	2.000	1.3	9/16	0.55	3584	0.28	0.33
90331331	LV.F-80-14-SST-1/2-13x4	90334331	LV.F-80-14-AS-SST-1/2-13x4	3.15	1/2-13	5.3	5.42	4.000	1.3	9/16	0.55	3584	0.31	0.36
90331335	LV.F-80-14-SST-1/2-13x6	90334335	LV.F-80-14-AS-SST-1/2-13x6	3.15	1/2-13	7.3	7.42	6.000	1.3	9/16	0.55	3584	0.33	0.39
90331523	LV.F-80-14-SST-5/8-11x4	90334523	LV.F-80-14-AS-SST-5/8-11x4	3.15	5/8-11	5.3	5.42	4.000	1.3	5/8	0.55	3584	0.53	0.59
90331541	LV.F-80-14-SST-5/8-11x6	90334541	LV.F-80-14-AS-SST-5/8-11x6	3.15	5/8-11	7.3	7.42	6.000	1.3	5/8	0.55	3584	0.57	0.62
90331565	LV.F-80-14-SST-5/8-11x8	90334565	LV.F-80-14-AS-SST-5/8-11x8	3.15	5/8-11	9.3	9.42	8.000	1.3	5/8	0.55	3584	0.6	0.66
90331625	LV.F-80-24-SST-5/8-11x4	90334625	LV.F-80-24-AS-SST-5/8-11x4	3.15	5/8-11	5.69	5.81	4.000	1.69	15/16	0.94	4032	0.75	0.81
90331645	LV.F-80-24-SST-5/8-11x6	90334645	LV.F-80-24-AS-SST-5/8-11x6	3.15	5/8-11	7.69	7.81	6.000	1.69	15/16	0.94	4032	0.81	0.87
90331665	LV.F-80-24-SST-5/8-11x8	90334665	LV.F-80-24-AS-SST-5/8-11x8	3.15	5/8-11	9.69	9.81	8.000	1.69	15/16	0.94	4032	0.85	0.91
90331725	LV.F-80-24-SST-3/4-10x4	90334725	LV.F-80-24-AS-SST-3/4-10x4	3.15	3/4-10	5.69	5.81	4.000	1.69	15/16	0.94	4032	0.97	1.03
90331745	LV.F-80-24-SST-3/4-10x6	90334745	LV.F-80-24-AS-SST-3/4-10x6	3.15	3/4-11	7.69	7.81	6.000	1.69	15/16	0.94	4032	1.04	1.09
90331781	LV.F-80-24-SST-3/4-10x8	90334781	LV.F-80-24-AS-SST-3/4-10x8	3.15	3/4-12	9.69	9.81	8.000	1.69	15/16	0.94	4032	1.13	1.19
90332403	LV.F-100-14-SST-3/8-16x2	90335441	LV.F-100-14-AS-SST-3/8-16x2	3.94	3/8-16	3.3	3.42	2.000	1.3	3/8-16	0.55	4032	0.25	0.37
90332405	LV.F-100-14-SST-3/8-16x4	90335443	LV.F-100-14-AS-SST-3/8-16x4	3.94	3/8-16	5.3	5.42	4.000	1.3	3/8-16	0.55	4032	0.29	0.41
90332407	LV.F-100-14-SST-3/8-16x6	90335445	LV.F-100-14-AS-SST-3/8-16x6	3.94	3/8-16	7.3	7.42	6.000	1.3	3/8-16	0.55	4032	0.3	0.36
90332413	LV.F-100-14-SST-1/2-13x2	90335451	LV.F-100-14-AS-SST-1/2-13x2	3.94	1/2-13	3.3	3.42	2.000	1.3	1/2-13	0.55	4032	0.28	0.34
90332415	LV.F-100-14-SST-1/2-13x4	90335453	LV.F-100-14-AS-SST-1/2-13x4	3.94	1/2-13	5.3	5.42	4.000	1.3	1/2-13	0.55	4032	0.31	0.37
90332417	LV.F-100-14-SST-1/2-13x6	90335455	LV.F-100-14-AS-SST-1/2-13x6	3.94	1/2-13	7.3	7.42	6.000	1.3	1/2-13	0.55	4032	0.35	0.4
90332424	LV.F-100-14-SST-5/8-11x4	90335461	LV.F-100-14-AS-SST-5/8-11x4	3.94	5/8-11	5.3	5.42	4.000	1.3	5/8-11	0.55	4032	0.5	0.62
90332435	LV.F-100-14-SST-5/8-11x6	90335463	LV.F-100-14-AS-SST-5/8-11x6	3.94	5/8-11	7.3	7.42	6.000	1.3	5/8-11	0.55	4032	0.61	0.73
90332445	LV.F-100-14-SST-5/8-11x8	90335525	LV.F-100-14-AS-SST-5/8-11x8	3.94	5/8-11	9.3	9.42	8.000	1.3	5/8-11	0.55	4032	0.64	0.78
90332525	LV.F-100-24-SST-5/8-11x4	90335525	LV.F-100-24-AS-SST-5/8-11x4	3.94	5/8-11	5.69	5.81	4.000	1.69	15/16	0.94	5600	0.8	0.92
90332545	LV.F-100-24-SST-5/8-11x6	90335545	LV.F-100-24-AS-SST-5/8-11x6	3.94	5/8-11	7.69	7.81	6.000	1.69	15/16	0.94	5600	0.88	1
90332565	LV.F-100-24-SST-5/8-11x8	90335565	LV.F-100-24-AS-SST-5/8-11x8	3.94	5/8-11	9.69	9.81	8.000	1.69	15/16	0.94	5600	0.91	1.03
90332625	LV.F-100-24-SST-3/4-10x4	90335625	LV.F-100-24-AS-SST-3/4-10x4	3.94	3/4-10	5.69	5.81	4.000	1.69	15/16	0.94	5600	1.05	1.17
90332645	LV.F-100-24-SST-3/4-10x6	90335645	LV.F-100-24-AS-SST-3/4-10x6	3.94	3/4-10	7.69	7.81	6.000	1.69	15/16	0.94	5600	1.16	1.28
90332681	LV.F-100-24-SST-3/4-10x8	90335681	LV.F-100-24-AS-SST-3/4-10x8	3.94	3/4-10	9.69	9.81	8.000	1.69	15/16	0.94	5600	1.3	1.42
90333525	LV.F-125-24-SST-5/8-11x4	90336225	LV.F-125-24-AS-SST-5/8-11x4	4.92	5/8-11	6.64	6.76	4.000	2.64	15/16	0.94	6272	1.19	1.46
90333545	LV.F-125-24-SST-5/8-11x6	90336245	LV.F-125-24-AS-SST-5/8-11x6	4.92	5/8-11	8.64	8.76	6.000	2.64	15/16	0.94	6272	1.23	1.51
90333565	LV.F-125-24-SST-5/8-11x8	90336265	LV.F-125-24-AS-SST-5/8-11x8	4.92	5/8-11	10.64	10.76	8.000	2.64	15/16	0.94	6272	1.28	1.55
90333625	LV.F-125-24-SST-3/4-10x4	90336325	LV.F-125-24-AS-SST-3/4-10x4	4.92	3/4-10	6.64	6.76	4.000	2.64	15/16	0.94	6272	1.43	1.7
90333645	LV.F-125-24-SST-3/4-10x6	90336345	LV.F-125-24-AS-SST-3/4-10x6	4.92	3/4-10	8.64	8.76	6.000	2.64	15/16	0.94	6272	1.61	1.89
90333681	LV.F-125-24-SST-3/4-10x8	90336381	LV.F-125-24-AS-SST-3/4-10x8	4.92	3/4-10	10.64	10.76	8.000	2.64	15/16	0.94	6272	1.71	1.98

* The max static load is the value above which the load applied to the element may cause some plastic material breakage, in particular conditions of use. Obviously, a factor that takes into consideration the importance and the safety level of the specific application must be applied to this value.