

SEDONA LOFT FREESTANDING TUB

2766.034 SEDONA LOFT FREESTANDING TUB

Product Features:

- Clean transitional design
- High-gloss cast acrylic
- Soaking tub with deep bathing well
- Center toe-top drain
- Large slotted overflow for deep soaking
- Integrated tub drain with removable chrome overflow cover
- Removable overflow design, replacement finishes available
- Adjustable leveling feet
- Limited Lifetime warranty

Nominal Dimensions:

62-3/4" x 29-7/8"min. x 22-7/8"
(1594 x 759 min. x 581mm)

Compliance Certifications -

Meets or Exceeds the Following Specifications:

- IAPMO Z124-2011
- CSA B45.5-11
- cUPC



SEE REVERSE SIDE FOR ROUGHING-IN DIMENSIONS
AND PRODUCT SPECIFICATIONS

To Be Specified - Required:

- Color: White

Optional: For all installations
1680.100 Overflow and Drain Kit

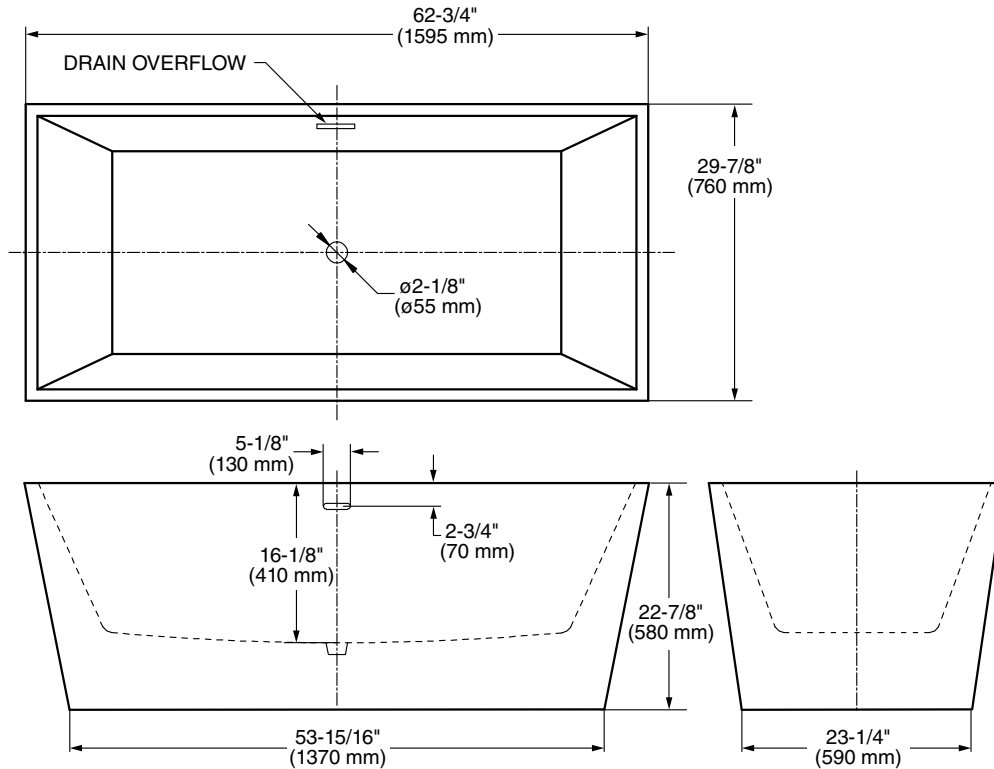
Specify Finish:

- .295 Satin Nickel
- .278 Legacy Bronze
- .013 Polished Nickel

Recommended: For concrete slab installation

Drain adapter rough-in suggest

- OS&B ABS Island Tub Drain Rough-In #ITD35
- PVC Island Tub Drain Rough-In #ITD5135
or
- Cast Iron Island Tub Drain Rough-In #ID357



GENERAL SPECIFICATIONS FOR 2766 FREE STANDING BATH	
INSTALLED SIZE	62-3/4 x 29-7/8 x 22-7/8 in. (1594 x 759 x 581 mm)
WEIGHT	103 Lbs. (47 Kg.)
WEIGHT w/WATER	605 Lbs. (274 Kg.)
GAL. TO OVERFLOW	72 Gal. (273 L)
BATHING WELL AT SUMP	45-1/4 x 20-1/2 In. (1149 x 521mm)
BATHING WELL AT RIM	60 x 27-1/8 In. (1524 x 689mm)
WATER DEPTH TO OVERFLOW	13-3/8 In. (340mm)
FLOOR LOADING (PROJECTED AREA)	47 Lbs./Sq.Ft. (227 Kgs./Sq.m)

NOTES:

■ REFER TO INSTALLATION INSTRUCTIONS SUPPLIED WITH BATHTUB FOR ADDITIONAL INFORMATION.

IMPORTANT: Dimensions of fixtures are nominal and may vary within the range of tolerances established by ANSI Standard Z124.1.2. These measurements are subject to change or cancellation. No responsibility is assumed for use of superseded or voided leaflet.