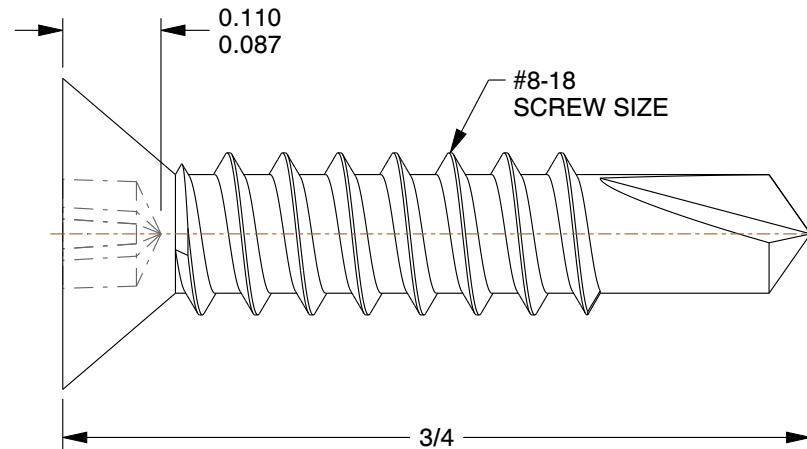
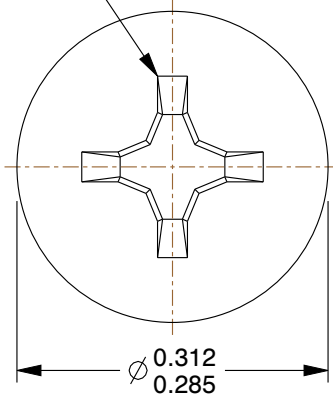


#2 PHILLIPS
DRIVE



COMPONENT		Self Drilling Screw	
G0846203		UNIT	
		INCH	
Self Drilling Screw, #8-18 Size, 3/4 in L, 410 Stainless Steel, Plain Flat Phillips, 100 PK		SHEET	
		1 of 1	



Zoro Tools, Inc.
500 W Madison St, Chicago, IL 60661, USA
Ph: (855) 289-9676

This file and any associated information and specifications are provided for reference and evaluation purposes only, and is subject to change without notice. Zoro makes no representations, warranties or guarantees as to the appropriateness, accuracy, completeness, or suitability for any purpose, of the file, information or specifications. You are solely responsible for the use of the file, information or specifications.

This drawing is the property of ZORO. It contains confidential, proprietary information that is ZORO property. Do not disclose to or duplicate for others except as authorized by ZORO.

SCALE 5.20