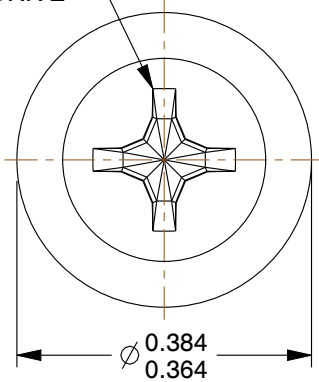
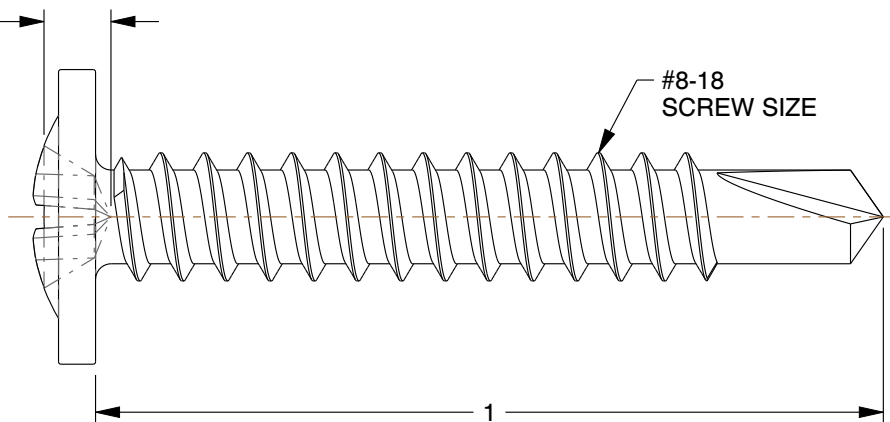


#2 PHILLIPS
DRIVE



0.095
0.075

#8-18
SCREW SIZE



COMPONENT		Self Drilling Screw	
G2079147		UNIT	INCH
		SHEET	1 of 1
Self Drilling Screw, #8-18 Size, 1 in L, Steel, Zinc Plated K-Lath Phillips, 200 PK			


 Zoro Tools, Inc.
 500 W Madison St, Chicago, IL 60661, USA
 Ph: (855) 289-9676

This file and any associated information and specifications are provided for reference and evaluation purposes only, and is subject to change without notice. Zoro makes no representations, warranties or guarantees as to the appropriateness, accuracy, completeness, or suitability for any purpose, of the file, information or specifications. You are solely responsible for the use of the file, information or specifications.

This drawing is the property of ZORO. It contains confidential, proprietary information that is ZORO property. Do not disclose to or duplicate for others except as authorized by ZORO.

SCALE 4.10