



INSTRUCTION SHEET

CLASS 9080 TYPE GT6 SERIES C Track Mounted Transient Suppressor

APPLICATION

The transient suppression module is designed to be used where the transient voltage, generated when opening the coil circuit, interferes with the proper operation of nearby integrated or solid state control circuits. The module consists of an RC circuit and is designed to suppress the voltage transient to approximately 200% of peak line voltage. The module is wired across the coil and is designed for coil voltages of 120 volts.

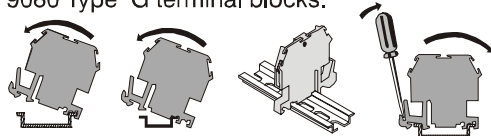
For use with*	Class 9080 Type
Square D Relays—Class 8501 Types X, K, R, C. Square D Type S contactors and starters—Sizes 00-2	GT6

*For devices other than Square D relays, contactors and starters listed above, suppressor may be used where resistance-capacitance combination shown below is acceptable:

<u>Class 9080 Type</u>	<u>Capacitor</u>	<u>Resistor</u>	<u>Coil Voltage Rating</u>
GT6	.68 mfd. \pm 20%	47 ohms \pm 10%	120 VAC

INSTALLATION

This 9080 GT6 transient suppressor block can be mounted on 35mm DIN 3 or the 9080 GH track. This block is assembled to the track the same way as other 9080 Type G terminal blocks.

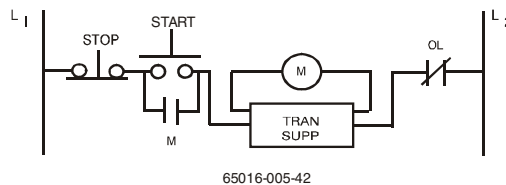
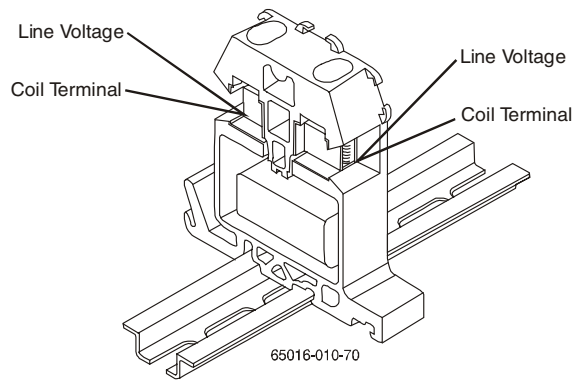


The transient suppressor block can be mounted on track with other terminal blocks and other track mounted devices. A transition barrier is required when mounting the 9080 GK6 terminal block with the transient suppressor block.

The 9080 GT6 block has 600 volt electrical clearances between adjacent blocks and a 9080 GT6B barrier is required at the end of a group of 9080 GT6 blocks to maintain this clearance.

A marking area is provided as standard, but provisions have also been made for adding a marking strip to make marking of this block more convenient.

Using No. 12 to 22 AWG wire, attach line voltage and load to either side of suppressor and attach other line and load leads to other side of suppressor. See figure. Torque Screws 9-10 lb. in.



65013-005-09G