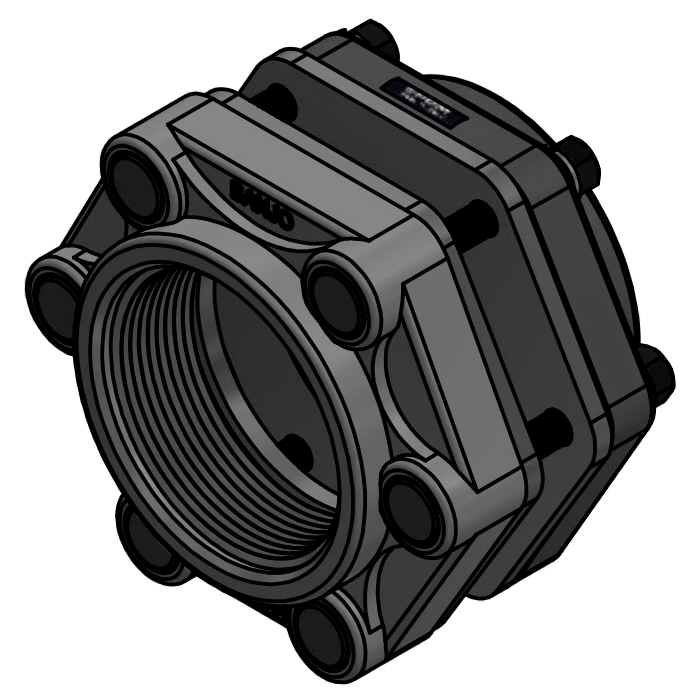
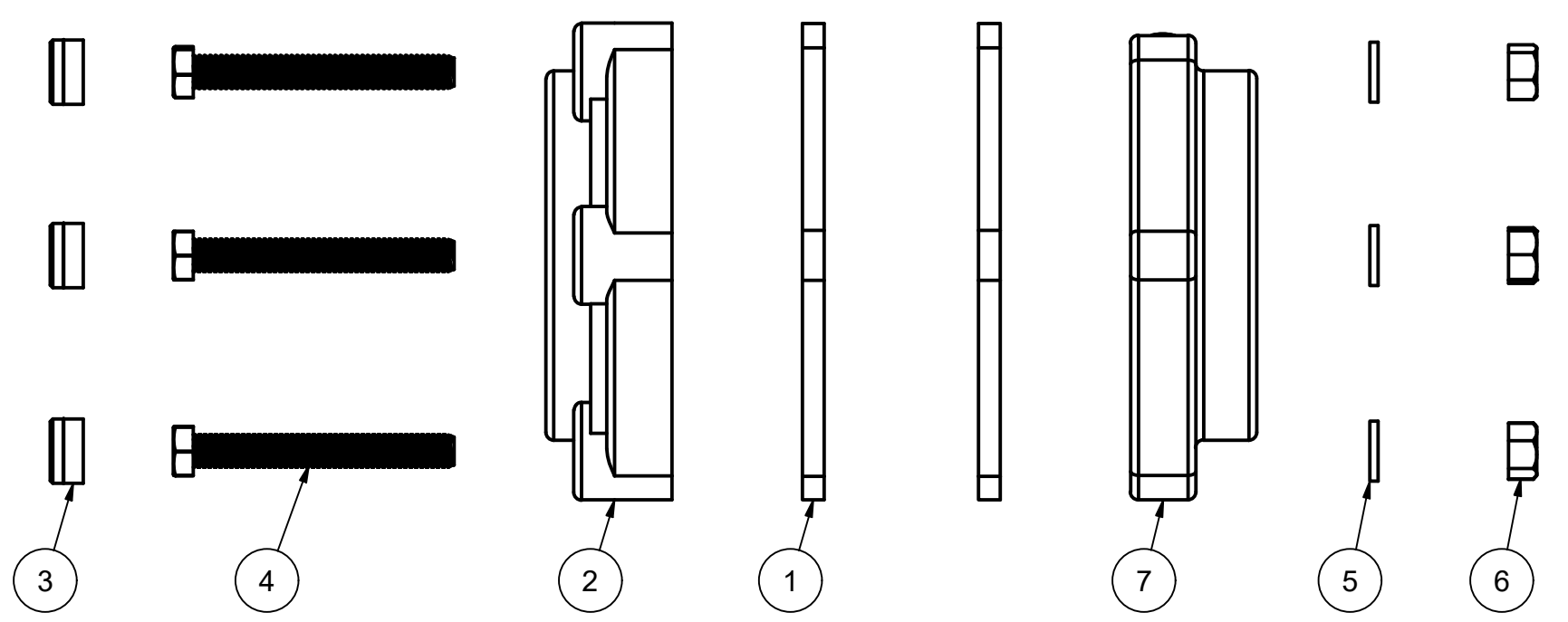


PARTS LIST			
ITEM	QTY	PART NUMBER	DESCRIPTION
1	2	BF300GE	3" BOLTED FLG GASKET
2	1	BF301	3" BOLTED FLG END PLATE
3	6	BF304A	BOLTED FLANGE PLUG
4	6	BF308	3/8"-16 x 3.00" HHCS Full Thds
5	6	V20018	3/8" LOCKWASHER
6	6	V20019	3/8" HEX NUT
7	1	V30164	3" NPT END PLATE
8	1	VL1004	EPDM DECAL (N/S)



SECTION A-A
SCALE 1/2



THIS DRAWING AND ALL INFORMATION CONTAINED THEREON ARE THE EXCLUSIVE PROPERTY OF BANJO CORPORATION.

UNLESS SPECIFICALLY NOTED, THIS DRAWING AND ITEMS SHOWN ON THIS DRAWING ARE SUBJECT TO CHANGE AT ANY TIME.



BANJO CORPORATION

150 BANJO DRIVE, CRAWFORDSVILLE, IN 47933
 WEB SITE: WWW.BANJOCORP.COM
 E-MAIL: BANJOSALES@IDEXCORP.COM

DESCRIPTION
3" BOLTED TANK FLANGE, W/ 3" ALL-THREAD BOLTS

PART NUMBER
BF330