



### SPECIFICATIONS

| Model             | Stroke mm | Max Energy Absorption J(kgf·m) | Max Equiv. Mass kg(kgf) | Range of Impact Rate m/s | Orifice Type                  |
|-------------------|-----------|--------------------------------|-------------------------|--------------------------|-------------------------------|
| FWM-3035TBD-C-060 | 35        | 196(20)                        | 1300(1300)              | 0.3~2                    | Multiple-varying orifice type |

### COMMON SPECIFICATIONS

| Max Drag N(kgf) | Max Cycle Rate cycle/min | Max Energy Absorption per min. J/min(kgf·m/min) | Extension Force N(kgf) | Operating Temp. C° | Mass g        |
|-----------------|--------------------------|---|------------------------|--------------------|---------------|
| 16660(1700)     | 30                       | 1176(120)                                       | 60(6.1) or lower       | -5~70              | 760 + 255 cap |

### PRECAUTIONS FOR USE

- Do not use this product without carefully reading the attached owner's manual.
- Ensure that an external stopper (Stopper nut OP-020TB) is also used.
- Do not turn the oil inlet screw located at the bottom of the main unit.
- Ensure that sufficient mounting strength is secured for this product. (As a guideline, it should be 2 to 3 times the maximum drag listed in the catalogue.)
- Do not use this product in a vacuum or a location where it may come in contact with oil.
- Ensure that an eccentric load is not applied to the soft absorber. (Allowable eccentric angle: within  $\pm 2.5^\circ$ )

### ADJUSTMENT METHOD

- To adjust, turn the adjustment knob located at the bottom of the main unit.
- Because the adjustment can be done in an analog manner, a value between two integers on the indicator can be set.
- Once the adjustment is complete, secure with a lock screw using a hex wrench.

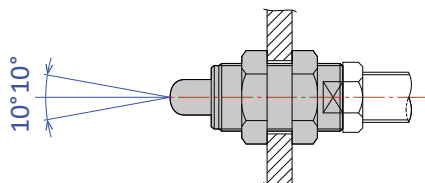
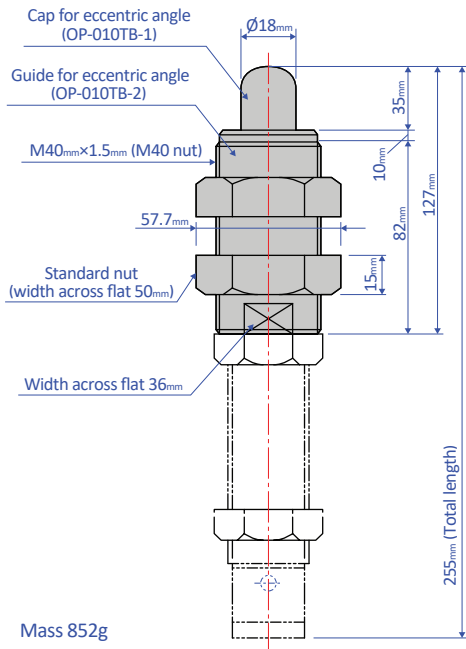
### ABSORPTION CHARACTERISTICS

|              |   |                                |
|--------------|---|--------------------------------|
| Orifice type | Multiple-orifice type                                     | Absorption characteristics<br> |
| Model number | FWM-3035TBD Series  |                                |
| Application  | For medium speed, in particular with a pneumatic cylinder |                                |

## OPTIONAL PARTS

### Eccentric angle adaptor OP-010TB

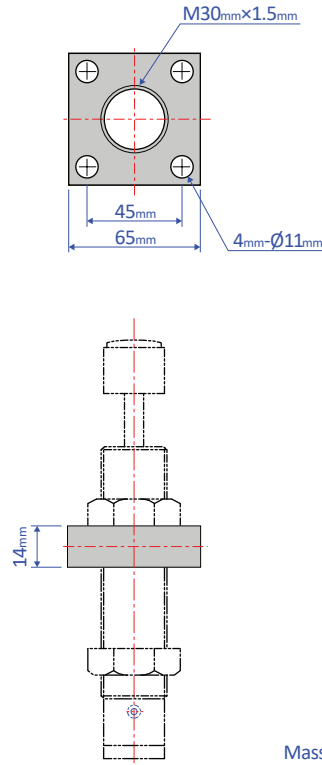
- Screw the eccentric angle adaptor into the main unit until the cap for the eccentric angle and the piston rod form a tight connection. While maintaining this position, fasten the main unit's nut until it is secured.
- Use the eccentric angle adaptor when the eccentric angle is  $2.5^\circ$  or larger.
- The main unit can also be used as a stopper.
- Use it with a capless soft absorber.
- The maximum operating eccentric angle with an eccentric angle adaptor is  $\pm 10^\circ$ .
- The caps and the guides for inclined use are not unbundled.



Note: Material of cap for eccentric angle: Metal

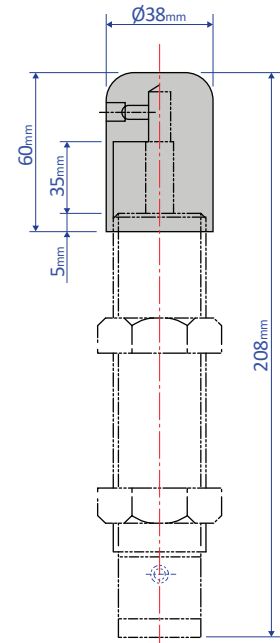
### Square flange OP-040TB

- Once the attachment site is determined, use the main unit's nut to securely fasten in place.



### Liquid-proof cap FWM-3035TDB-C-060

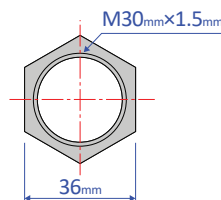
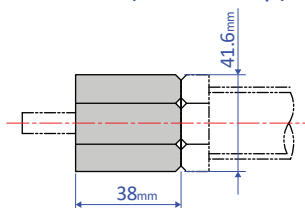
- A drip proof cap is fitted on the unit on delivery.
- Liquid-proof caps are not sold separately.
- Ensure that the cap is facing upward. If the cap is facing sideways or downward, it cannot provide an effective means for liquid proofing.



### Stopper nut OP-020TB

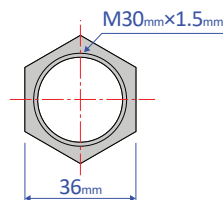
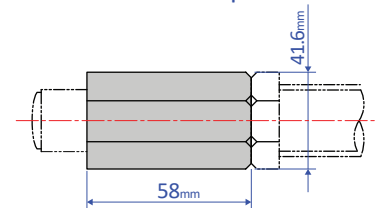
- Adjust so that it stops 1 mm before the stroke end, and fasten with the main unit's nut until secured.

#### OP-020TB-S (without cap)



Mass 129g

#### OP-020TB-C (with cap)



Mass 197g

Note: When attaching, make sure that the side without a bearing chamfer is the impact surface.

Standard nuts are sold separately as well - M30 Nut