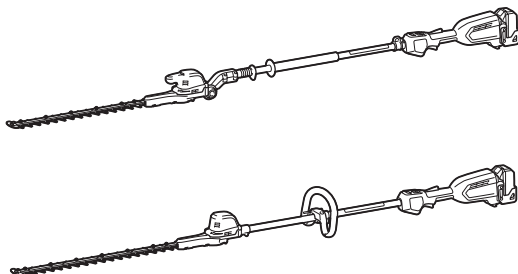


**INSTRUCTION MANUAL  
MANUAL DE INSTRUCCIONES**



# **Cordless Pole Hedge Trimmer Cortasetos de Extensión Inalámbrico**

**XNU01  
XNU02**



**IMPORTANT:** Read Before Using.  
**IMPORTANTE:** Lea antes de usar.

## SPECIFICATIONS

Model:	XNU01	XNU02
Blade length	500 mm (19-3/4")	600 mm (23-5/8")
Strokes per minute	2,000 / 3,600 / 4,400 /min	
Cutting blade angle	115° (up 45°, down 70°)	–
Overall length	2,115 mm (83-1/4")	2,050 mm (80-1/2")
Rated voltage	D.C. 18 V	
Net weight	3.9 - 4.2 kg (8.6 - 9.3 lbs)	3.7 - 4.0 kg (8.2 - 8.8 lbs)

- Due to our continuing program of research and development, the specifications herein are subject to change without notice.
- Specifications may differ from country to country.
- The weight may differ depending on the attachment(s), including the battery cartridge. The lightest and heaviest combination, according to EPTA-Procedure 01/2014, are shown in the table.

## Applicable battery cartridge and charger

Battery cartridge	BL1815N / BL1820B / BL1830 / BL1830B / BL1840B / BL1850B / BL1860B
Charger	DC18RC / DC18RD / DC18RE / DC18SD / DC18SE / DC18SF / DC18SH

- Some of the battery cartridges and chargers listed above may not be available depending on your region of residence.

**⚠ WARNING:** Only use the battery cartridges and chargers listed above. Use of any other battery cartridges and chargers may cause injury and/or fire.

## Recommended battery adapter

Battery adapter	PDC01
-----------------	-------

- The battery adapter(s) listed above may not be available depending on your region of residence.
- Before using the battery adapter, read instruction and cautionary markings on the battery adapter.

## SAFETY WARNINGS

### General power tool safety warnings

**⚠ WARNING:** Read all safety warnings, instructions, illustrations and specifications provided with this power tool. Failure to follow all instructions listed below may result in electric shock, fire and/or serious injury.

### Save all warnings and instructions for future reference.

The term "power tool" in the warnings refers to your mains-operated (corded) power tool or battery-operated (cordless) power tool.

#### Work area safety

1. **Keep work area clean and well lit.** Cluttered or dark areas invite accidents.
2. **Do not operate power tools in explosive atmospheres, such as in the presence of flammable liquids, gases or dust.** Power tools create sparks which may ignite the dust or fumes.

3. **Keep children and bystanders away while operating a power tool.** Distractions can cause you to lose control.

#### Electrical Safety

1. **Power tool plugs must match the outlet. Never modify the plug in any way. Do not use any adapter plugs with earthed (grounded) power tools.** Unmodified plugs and matching outlets will reduce risk of electric shock.
2. **Avoid body contact with earthed or grounded surfaces, such as pipes, radiators, ranges and refrigerators.** There is an increased risk of electric shock if your body is earthed or grounded.
3. **Do not expose power tools to rain or wet conditions.** Water entering a power tool will increase the risk of electric shock.
4. **Do not abuse the cord. Never use the cord for carrying, pulling or unplugging the power tool. Keep cord away from heat, oil, sharp edges or moving parts.** Damaged or entangled cords increase the risk of electric shock.
5. **When operating a power tool outdoors, use an extension cord suitable for outdoor use.** Use of a cord suitable for outdoor use reduces the risk of electric shock.

6. **If operating a power tool in a damp location is unavoidable, use a ground fault circuit interrupter (GFCI) protected supply.** Use of a GFCI reduces the risk of electric shock.
7. **Power tools can produce electromagnetic fields (EMF) that are not harmful to the user.** However, users of pacemakers and other similar medical devices should contact the maker of their device and/or doctor for advice before operating this power tool.
3. **Disconnect the plug from the power source and/or remove the battery pack, if detachable, from the power tool before making any adjustments, changing accessories, or storing power tools.** Such preventive safety measures reduce the risk of starting the power tool accidentally.
4. **Store idle power tools out of the reach of children and do not allow persons unfamiliar with the power tool or these instructions to operate the power tool.** Power tools are dangerous in the hands of untrained users.

#### Personal Safety

1. **Stay alert, watch what you are doing and use common sense when operating a power tool. Do not use a power tool while you are tired or under the influence of drugs, alcohol or medication.** A moment of inattention while operating power tools may result in serious personal injury.
2. **Use personal protective equipment. Always wear eye protection.** Protective equipment such as dust mask, non-skid safety shoes, hard hat, or hearing protection used for appropriate conditions will reduce personal injuries.
3. **Prevent unintentional starting. Ensure the switch is in the off-position before connecting to power source and/or battery pack, picking up or carrying the tool.** Carrying power tools with your finger on the switch or energising power tools that have the switch on invites accidents.
4. **Remove any adjusting key or wrench before turning the power tool on.** A wrench or a key left attached to a rotating part of the power tool may result in personal injury.
5. **Do not overreach. Keep proper footing and balance at all times.** This enables better control of the power tool in unexpected situations.
6. **Dress properly. Do not wear loose clothing or jewellery. Keep your hair, clothing and gloves away from moving parts.** Loose clothes, jewellery or long hair can be caught in moving parts.
7. **If devices are provided for the connection of dust extraction and collection facilities, ensure these are connected and properly used.** Use of dust collection can reduce dust-related hazards.
8. **Do not let familiarity gained from frequent use of tools allow you to become complacent and ignore tool safety principles.** A careless action can cause severe injury within a fraction of a second.
9. **Always wear protective goggles to protect your eyes from injury when using power tools. The goggles must comply with ANSI Z87.1 in the USA.**  
It is an employer's responsibility to enforce the use of appropriate safety protective equipment by the tool operators and by other persons in the immediate working area.
5. **Maintain power tools and accessories. Check for misalignment or binding of moving parts, breakage of parts and any other condition that may affect the power tool's operation. If damaged, have the power tool repaired before use.** Many accidents are caused by poorly maintained power tools.
6. **Keep cutting tools sharp and clean.** Properly maintained cutting tools with sharp cutting edges are less likely to bind and are easier to control.
7. **Use the power tool, accessories and tool bits etc. in accordance with these instructions, taking into account the working conditions and the work to be performed.** Use of the power tool for operations different from those intended could result in a hazardous situation.
8. **Keep handles and grasping surfaces dry, clean and free from oil and grease.** Slippery handles and grasping surfaces do not allow for safe handling and control of the tool in unexpected situations.
9. **When using the tool, do not wear cloth work gloves which may be entangled.** The entanglement of cloth work gloves in the moving parts may result in personal injury.

#### Battery tool use and care

1. **Recharge only with the charger specified by the manufacturer.** A charger that is suitable for one type of battery pack may create a risk of fire when used with another battery pack.
2. **Use power tools only with specifically designated battery packs.** Use of any other battery packs may create a risk of injury and fire.
3. **When battery pack is not in use, keep it away from other metal objects, like paper clips, coins, keys, nails, screws or other small metal objects, that can make a connection from one terminal to another.** Shorting the battery terminals together may cause burns or a fire.
4. **Under abusive conditions, liquid may be ejected from the battery; avoid contact. If contact accidentally occurs, flush with water. If liquid contacts eyes, additionally seek medical help.** Liquid ejected from the battery may cause irritation or burns.
5. **Do not use a battery pack or tool that is damaged or modified.** Damaged or modified batteries may exhibit unpredictable behaviour resulting in fire, explosion or risk of injury.
6. **Do not expose a battery pack or tool to fire or excessive temperature.** Exposure to fire or temperature above 130 °C may cause explosion.
1. **Do not force the power tool. Use the correct power tool for your application.** The correct power tool will do the job better and safer at the rate for which it was designed.
2. **Do not use the power tool if the switch does not turn it on and off.** Any power tool that cannot be controlled with the switch is dangerous and must be repaired.

7. **Follow all charging instructions and do not charge the battery pack or tool outside the temperature range specified in the instructions.** Charging improperly or at temperatures outside the specified range may damage the battery and increase the risk of fire.

#### Service

1. **Have your power tool serviced by a qualified repair person using only identical replacement parts.** This will ensure that the safety of the power tool is maintained.
2. **Never service damaged battery packs.** Service of battery packs should only be performed by the manufacturer or authorized service providers.
3. **Follow instruction for lubricating and changing accessories.**
4. **Do not modify or attempt to repair the appliance or the battery pack except as indicated in the instructions for use and care.**

### Cordless Pole Hedge Trimmer Safety Warnings

1. **Keep all parts of the body away from the cutter blade. Do not remove cut material or hold material to be cut when blades are moving. Make sure the switch is off when clearing jammed material. Blades coast after turn off.** A moment of inattention while operating the hedge trimmer may result in serious personal injury.
2. **Carry the hedge trimmer by the handle with the cutter blade stopped.** Proper handling of the hedge trimmer will reduce possible personal injury from the cutter blades.
3. **Hold the power tool by insulated gripping surfaces only, because the cutter blade may contact hidden wiring.** Cutter blades contacting a "live" wire may make exposed metal parts of the power tool "live" and could give the operator an electric shock.
4. **DANGER - Keep hands away from blade.** Contact with blade will result in serious personal injury.
5. **Check the hedges and bushes for foreign objects, such as wire fences or hidden wiring before operating the tool.**
6. **Do not use the pole hedge trimmer in bad weather conditions, especially when there is a risk of lightning.** This decreases the risk of being struck by lightning.
7. **To reduce the risk of electrocution, never use near any electrical power lines.** Contact with or use near power lines may cause serious injury or electric shock resulting in death.
8. **Always use two hands when operating the pole hedge trimmer.** Hold the pole hedge trimmer with both hands to avoid loss of control.
9. **Always use head protection when operating the pole hedge trimmer overhead.** Falling debris can result in serious personal injury.
10. **WARNING – Only use with handle and guard properly assembled to hedge trimmer.** The use of the hedge trimmer without the proper guard or handle provided may result in serious personal injury.
11. **Make sure you have a secure footing before starting operation, and keep balance at all times.**
12. **Wear protective goggles, safety helmet and protective gloves to protect yourself from flying debris or falling objects.**
13. **During operation, keep bystanders or animals at least 15 m (50 ft.) away from the tool. Stop the tool as soon as someone approaches.**
14. **Do not use the tool in the rain or in wet or very damp conditions.** The electric motor is not waterproof.
15. **First-time users should have an experienced user show them how to use the tool.**
16. **The tool must not be used by children or young persons under 18 years of age.** Young persons over 16 years of age may be exempted from this restriction if they are undergoing training under the supervision of an expert.
17. **Use the tool only if you are in good physical condition.** If you are tired, your attention will be reduced. Be especially careful at the end of a working day. Perform all work calmly and carefully. The user is responsible for all damages to third parties.
18. **Never use the tool when under the influence of alcohol, drugs or medication.**
19. **Work gloves of stout leather are part of the basic equipment of the tool and must always be worn when working with it. Also wear sturdy shoes with anti-skid soles.**
20. **Before starting work check to make sure that the tool is in good and safe working order. Ensure guards are fitted properly. The tool must not be used unless fully assembled.**
21. **Hold the tool firmly when using the tool.**
22. **Do not operate the tool at no-load unnecessarily.**
23. **Immediately switch off the motor and remove the battery cartridge if the cutter should come into contact with a fence or other hard object. Check the cutter for damage, and if damaged repair immediately.**
24. **Before checking the shear blades, taking care of faults, or removing material caught in the shear blades, always switch off the tool and remove the battery cartridge.**
25. **Switch off the tool and remove the battery cartridge before doing any maintenance work.**
26. **When moving the tool to another location, including during work, always remove the battery cartridge and put the blade cover on the shear blades. Never carry or transport the tool with the blades running. Never grasp the blades with your hands.**
27. **Clean the tool and especially the shear blades after use, and before putting the tool into storage for extended periods. Lightly oil the blades and put on the cover.**
28. **When not in use, attach the blade cover to the tool and store the tool indoors in dry, and high locked-up place, out of reach of children.**
29. **Never point the shear blades to yourself or others.**

30. If the blades stop moving due to the stuck of foreign objects between the blades during operation, switch off the tool and remove the battery cartridge, and then remove the foreign objects using tools such as pliers. Removing the foreign objects by hand may cause an injury for the reason that the blades may move in reaction to removing the foreign objects.
31. Avoid dangerous environment. Don't use the tool in damp or wet locations or expose it to rain. Water entering the tool will increase the risk of electric shock.
32. Do not dispose of the battery(ies) in a fire. The cell may explode. Check with local codes for possible special disposal instructions.
33. Do not open or mutilate the battery(ies). Released electrolyte is corrosive and may cause damage to the eyes or skin. It may be toxic if swallowed.
34. Do not charge battery in rain, or in wet locations.
35. Before operation, examine the work area for wire fences, stones, or other solid objects. They can damage the blades.
36. When touching blades or adjusting the blade angle, wear protective gloves. Blades can cut bare hands severely.
37. Be careful not to accidentally contact a metal fence or other hard objects during operation. The blade will break and may cause serious injury.
38. Avoid unintentional starting. Do not carry the tool when the battery cartridge is installed and with finger on the switch. Make sure that the switch is off when installing the battery cartridge.
39. Do not grasp the exposed cutting blades or cutting edges when picking up or holding the tool.
40. Do not force the tool. It will do the job better and with less likelihood of a risk of injury at the rate for which it was designed.
41. Maintain the tool with care. Keep cutting edge sharp and clean for best performance and to reduce the risk of injury. Follow instructions for lubricating and changing accessories. Keep handles dry, clean, and free from oil and grease.
42. Check damaged parts. Before further use of the tool, any part which is damaged should be carefully checked to determine that it will operate properly and perform its intended function. Check for alignment of moving parts, binding of moving parts, breakage of parts, mounting and any other condition that may affect its operation. A guard or other part that is damaged should be properly repaired or replaced by your authorized service center.
43. Use genuine spare parts only.

## SAVE THESE INSTRUCTIONS.

**⚠WARNING:** DO NOT let comfort or familiarity with product (gained from repeated use) replace strict adherence to safety rules for the subject product. MISUSE or failure to follow the safety rules stated in this instruction manual may cause serious personal injury.

**⚠WARNING:** Use of this product can create dust containing chemicals which may cause respiratory or other illnesses. Some examples of these chemicals are compounds found in pesticides, insecticides, fertilizers and herbicides.

Your risk from these exposures varies, depending on how often you do this type of work. To reduce your exposure to these chemicals: work in a well ventilated area, and work with approved safety equipment, such as those dust masks that are specially designed to filter out microscopic particles.

## Symbols

The followings show the symbols used for tool.

V	volts
— ---	direct current
n <sub>0</sub>	no load speed
.../min r/min	revolutions or reciprocation per minute

## Important safety instructions for battery cartridge

1. Before using battery cartridge, read all instructions and cautionary markings on (1) battery charger, (2) battery, and (3) product using battery.
2. Do not disassemble battery cartridge.
3. If operating time has become excessively shorter, stop operating immediately. It may result in a risk of overheating, possible burns and even an explosion.
4. If electrolyte gets into your eyes, rinse them out with clear water and seek medical attention right away. It may result in loss of your eyesight.
5. Do not short the battery cartridge:
  - (1) Do not touch the terminals with any conductive material.
  - (2) Avoid storing battery cartridge in a container with other metal objects such as nails, coins, etc.
  - (3) Do not expose battery cartridge to water or rain.

A battery short can cause a large current flow, overheating, possible burns and even a breakdown.
6. Do not store the tool and battery cartridge in locations where the temperature may reach or exceed 50 °C (122 °F).
7. Do not incinerate the battery cartridge even if it is severely damaged or is completely worn out. The battery cartridge can explode in a fire.
8. Be careful not to drop or strike battery.
9. Do not use a damaged battery.

10. **The contained lithium-ion batteries are subject to the Dangerous Goods Legislation requirements.**

For commercial transports e.g. by third parties, forwarding agents, special requirement on packaging and labeling must be observed.

For preparation of the item being shipped, consulting an expert for hazardous material is required. Please also observe possibly more detailed national regulations.

Tape or mask off open contacts and pack up the battery in such a manner that it cannot move around in the packaging.

11. **When disposing the battery cartridge, remove it from the tool and dispose of it in a safe place. Follow your local regulations relating to disposal of battery.**
12. **Use the batteries only with the products specified by Makita.** Installing the batteries to non-compliant products may result in a fire, excessive heat, explosion, or leak of electrolyte.
13. **If the tool is not used for a long period of time, the battery must be removed from the tool.**

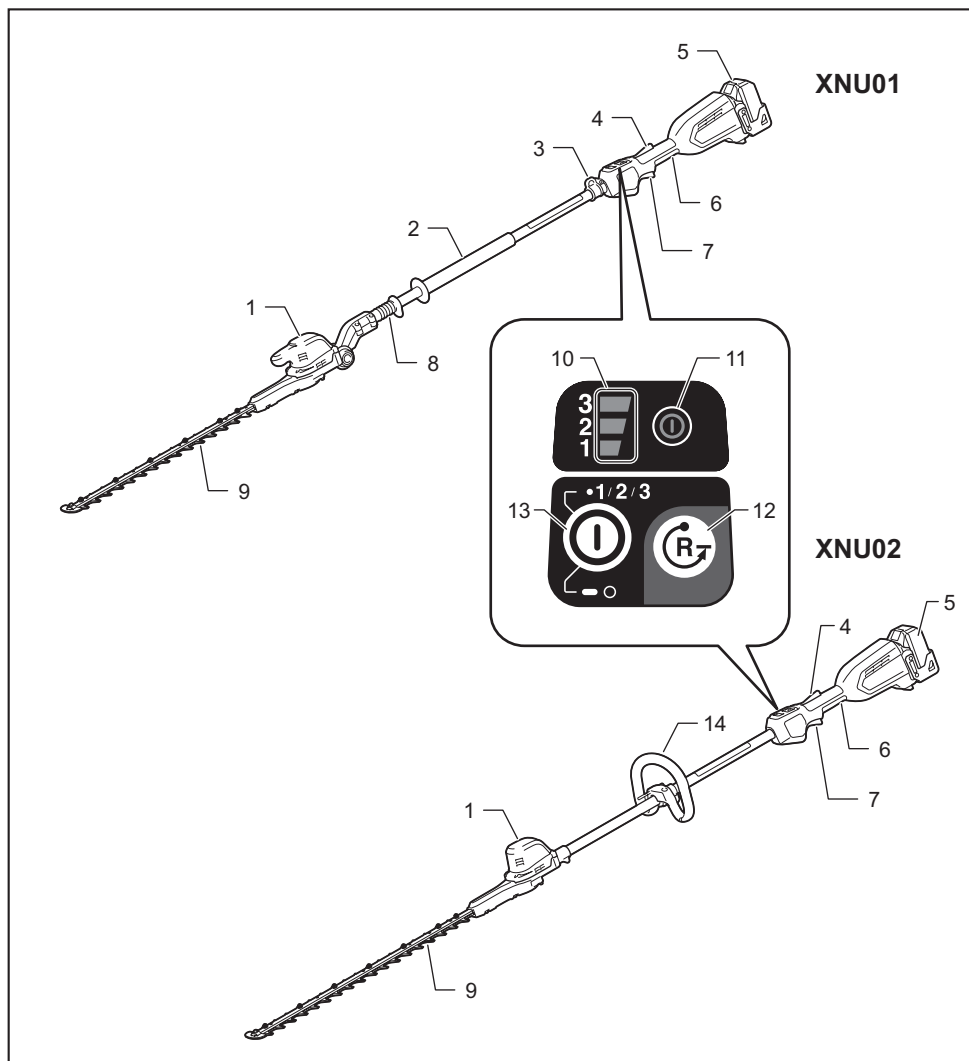
## SAVE THESE INSTRUCTIONS.

**⚠ CAUTION:** Only use genuine Makita batteries. Use of non-genuine Makita batteries, or batteries that have been altered, may result in the battery bursting causing fires, personal injury and damage. It will also void the Makita warranty for the Makita tool and charger.

## Tips for maintaining maximum battery life

1. **Charge the battery cartridge before completely discharged. Always stop tool operation and charge the battery cartridge when you notice less tool power.**
2. **Never recharge a fully charged battery cartridge. Overcharging shortens the battery service life.**
3. **Charge the battery cartridge with room temperature at 10 °C - 40 °C (50 °F - 104 °F). Let a hot battery cartridge cool down before charging it.**
4. **Charge the battery cartridge if you do not use it for a long period (more than six months).**

# PARTS DESCRIPTION



1	Head	2	Front grip	3	Hanger	4	Lever
5	Battery cartridge	6	Rear grip	7	Switch trigger	8	Slide sleeve
9	Shear blades	10	Speed indicator	11	Power lamp	12	Reverse button
13	Main power button	14	Handle	-	-	-	-

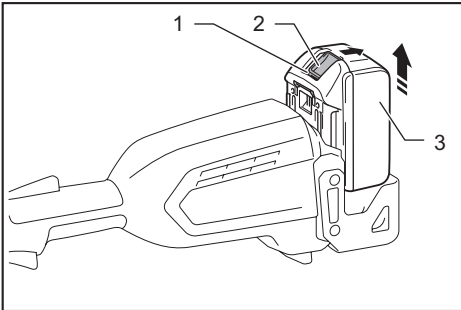
# FUNCTIONAL DESCRIPTION

**CAUTION:** Always be sure that the tool is switched off and the battery cartridge is removed before adjusting or checking function on the tool.

## Installing or removing battery cartridge

**CAUTION:** Always switch off the tool before installing or removing of the battery cartridge.

**CAUTION:** Hold the tool and the battery cartridge firmly when installing or removing battery cartridge. Failure to hold the tool and the battery cartridge firmly may cause them to slip off your hands and result in damage to the tool and battery cartridge and a personal injury.



► 1. Red indicator 2. Button 3. Battery cartridge

To remove the battery cartridge, slide it from the tool while sliding the button on the front of the cartridge.

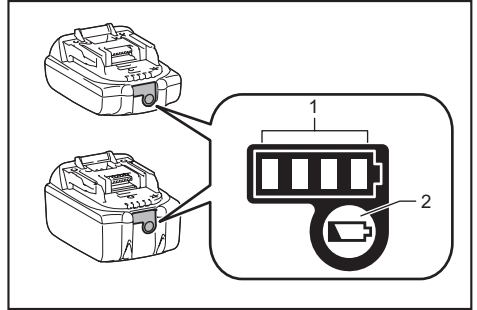
To install the battery cartridge, align the tongue on the battery cartridge with the groove in the housing and slip it into place. Insert it all the way until it locks in place with a little click. If you can see the red indicator on the upper side of the button, it is not locked completely.

**CAUTION:** Always install the battery cartridge fully until the red indicator cannot be seen. If not, it may accidentally fall out of the tool, causing injury to you or someone around you.

**CAUTION:** Do not install the battery cartridge forcibly. If the cartridge does not slide in easily, it is not being inserted correctly.

## Indicating the remaining battery capacity

Only for battery cartridges with the indicator



► 1. Indicator lamps 2. Check button

Press the check button on the battery cartridge to indicate the remaining battery capacity. The indicator lamps light up for a few seconds.













Indicator lamps			Remaining capacity
Lighted	Off	Blinking	
■ ■ ■ ■			75% to 100%
■ ■ ■ □			50% to 75%
■ ■ □ □			25% to 50%
■ □ □ □			0% to 25%
▣ □ □ □			Charge the battery.
■ ■ □ □			The battery may have malfunctioned.
□ □ ■ ■			

**NOTE:** Depending on the conditions of use and the ambient temperature, the indication may differ slightly from the actual capacity.



## Tool / battery protection system

The tool is equipped with a tool/battery protection system. This system automatically cuts off power to the motor to extend tool and battery life. The tool will automatically stop during operation if the tool or battery is placed under one of the following conditions:

Status	Indicator lamps		
	■ On	□ Off	■ Blinking
Overload			<b>3</b>  <b>2</b>  <b>1</b> 
Overheat	<b>3</b>  <b>2</b>  <b>1</b> 	<b>3</b>  <b>2</b>  <b>1</b> 	
Over discharge			<b>3</b>  <b>2</b>  <b>1</b> 

### Overload protection

If the tool is overloaded by entangled branches or other debris, the indicators for "2" and "3" start blinking and the tool automatically stops.

In this situation, turn the tool off and stop the application that caused the tool to become overloaded. Then turn the tool on to restart.

**NOTICE:** Depending on the usage conditions, the tool is automatically turned off without any indication if the tool is overloaded by entangled branches or debris. In this case, switch off the tool and remove the battery cartridge, and then remove entangled branches or debris using tools such as pliers. After removing the branches or debris, install the battery cartridge and turn on the tool again.

### Overheat protection for tool or battery

There are two types of overheating; tool overheating and battery overheating. When the tool overheating occurs, all speed indicators blink. When the battery overheating occurs, indicator for "1" blinks.

If the overheating occurs, the tool stops automatically. Let the tool and/or battery cool down before turning the tool on again.

### Overdischarge protection

When the battery capacity becomes low, the tool stops automatically and indicator for "1" blinks.

If the tool does not operate even when the switches are operated, remove the battery from the tool and charge the battery.

## Power switch action

**⚠ WARNING:** For your safety, this tool is equipped with lever which prevents the tool from unintended starting. **NEVER** use the tool if it runs when you simply pull the switch trigger without pressing the lever. Return the tool to our authorized service center for proper repairs **BEFORE** further usage.

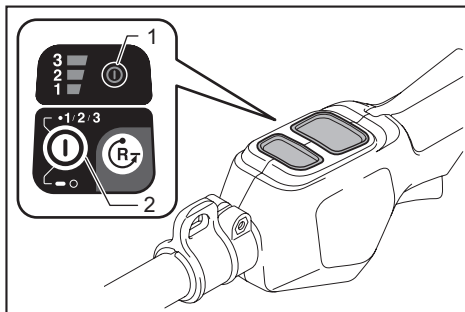
**⚠ WARNING:** **NEVER** tape down or defeat purpose and function of lever.

**⚠ WARNING:** Before installing the battery cartridge on the tool, always check to see that the switch trigger and lever actuate properly and return to the "OFF" position when released. Operating a tool with a switch that does not actuate properly can lead to loss of control and serious personal injury.

**⚠ CAUTION:** Never put your finger on the switch when carrying. The tool may start unintentionally and cause injury.

**NOTICE:** Do not pull the switch trigger hard without pressing the lever. This can cause switch breakage.

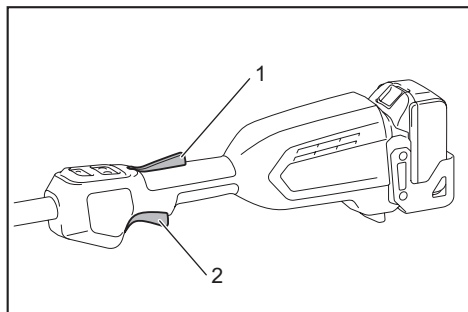
Press the main power button to turn on the tool. The power lamp lights up when the tool is turned on. To turn off the tool, press and hold the main power button. The power lamp goes off when the tool is turned off.



► 1. Power lamp 2. Main power button

**NOTE:** The tool is automatically turned off if the tool is not operated for a certain period.

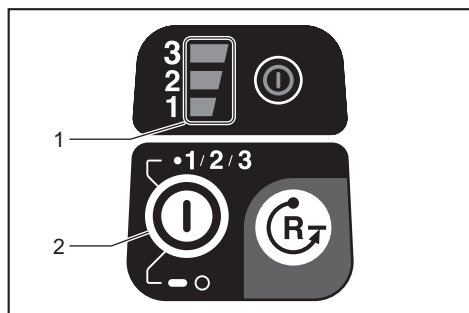
To prevent the switch trigger from being accidentally pulled, a lever is provided. To start the tool, pull the switch trigger while pressing the lever. Release the switch trigger to stop.












► 1. Lever 2. Switch trigger

## Speed adjusting

You can adjust the tool speed by pressing the main power button. Each time you press the main power button, the level of speed changes.



► 1. Speed indicator 2. Main power button

Indicator	Mode	Stroke speed
3  2  1 	High	4,400/min
3  2  1 	Medium	3,600/min
3  2  1 	Low	2,000/min

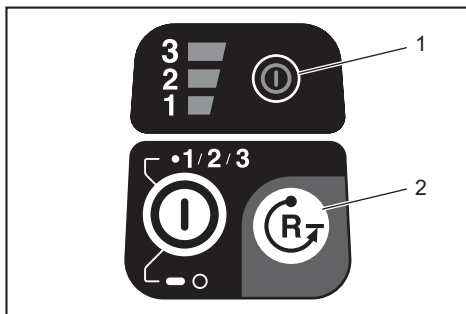
## Reverse button for debris removal

**⚠WARNING:** If the entangled branches or debris cannot be removed by the reverse function, switch off the tool and remove the battery cartridge, and then remove the entangled branches or debris using tools such as pliers. Failure to switch off the tool and remove the battery cartridge may result in serious personal injury from accidental start-up. Removing the entangled branches or debris by hand may cause an injury, since the shear blades may move in reaction to removing them.

This tool has a reverse movement to change the direction of shear blades movement. It is only for removing branches and debris entangled in the tool.

To reverse the shear blades movement, press the reverse button when the shear blades have stopped, and then pull the switch trigger while pressing the lever. The power lamp starts blinking, and the shear blades move in reverse direction.

When entangled branches and debris are removed, the tool returns to the regular movement and the power lamp stops blinking and lights up.



► 1. Power lamp 2. Reverse button

**NOTE:** If the entangled branches or debris cannot be removed, release the switch trigger, then press the reverse button, and then pull the switch trigger until they are removed.

**NOTE:** If you tap the reverse button while the shear blades are still moving, the tool comes to stop and to be ready for reverse movement.

## Adjusting the cutting angle

**⚠CAUTION:** Always be sure that the tool is switched off before folding or unfolding the head.

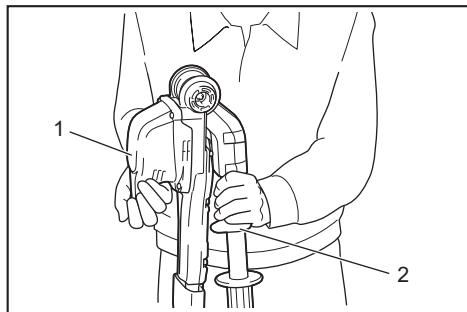
**⚠CAUTION:** When folding the head for carrying the tool or after using the tool, be sure to attach the blade cover before folding the head.

**⚠CAUTION:** When folding the head, be careful not to pinch your fingers between the head and the slide sleeve.

### For XNU01

The angle of the head can be adjusted in 6 steps. To change the angle of the head, follow the steps below.

1. Hold the head and the slide sleeve as shown in the figure.



- 1. Head 2. Slide sleeve

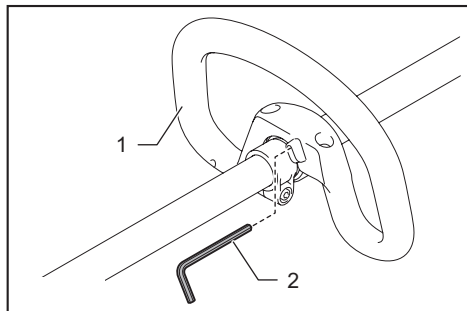
2. Move the head while holding down the slide sleeve, and then release the slide sleeve.
3. Move the head slightly until it is locked with a click.

**NOTE:** Make sure that the head is securely locked before operating the tool.

### Hex wrench storage

#### For XNU02

When not in use, store the hex wrench as illustrated to keep it from being lost.



- 1. Handle 2. Hex wrench

### Electric brake

This tool is equipped with an electric brake. If the tool consistently fails to quickly stop after the switch trigger is released, have the tool serviced at a Makita service center.

## ASSEMBLY

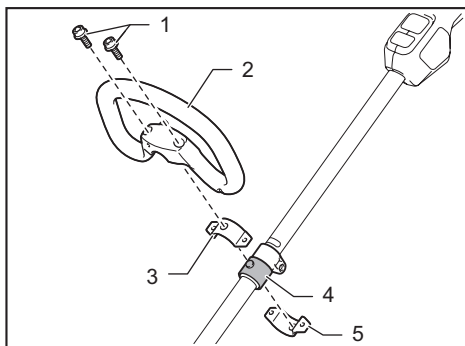
**CAUTION:** Always be sure that the tool is switched off and the battery cartridge is removed before carrying out any work on the tool.

**CAUTION:** When replacing the shear blades, always wear gloves so that your hands do not directly contact the blades.

### Installing the handle

#### For XNU02

1. Attach the upper and lower clamps on the damper.
2. Put the handle on the upper clamp and fix it with bolts as illustrated.



- 1. Bolt 2. Handle 3. Upper clamp 4. Damper  
5. Lower clamp

### Installing or removing the shear blades

**CAUTION:** Attach the blade cover before removing or installing the shear blades.

**NOTICE:** When replacing the shear blades, do not wipe off grease from the gear and crank.

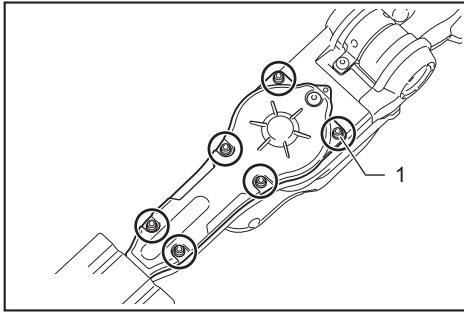
**NOTICE:**  
For XNU01

Do not install 600 mm (23-5/8") shear blades to your tool. If 600 mm (23-5/8") shear blades are installed to the tool, you cannot fold the head of the tool.

**NOTE:**  
For XNU01

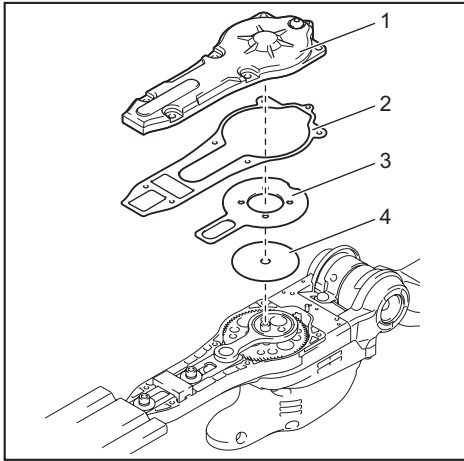
Before installing or removing the shear blades, unfold the head of the tool so that the head is straight to the tool body.

1. Place the tool upside down, and then remove 6 bolts.



- 1. Bolt

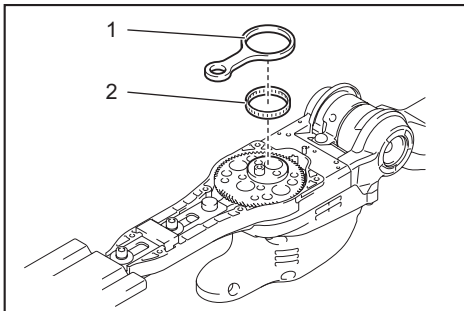
2. Remove the cover, gasket, plate A and plate B.



- 1. Cover 2. Gasket 3. Plate A 4. Plate B

**NOTE:** The gasket or plates may remain on the cover.

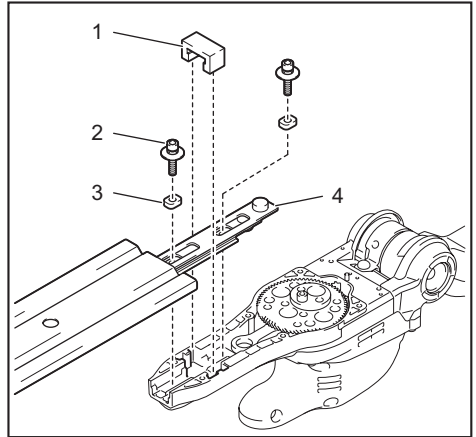
3. Remove the rod and the bearing.



- 1. Rod 2. Bearing

**NOTE:** The rod or bearing may remain on the cover.

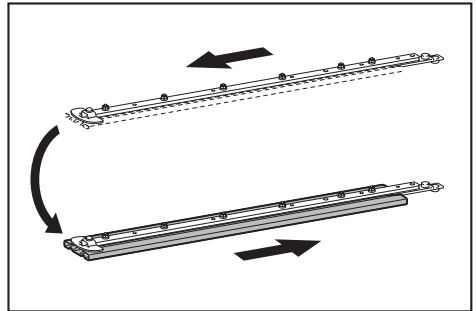
4. Remove 2 bolts, 2 sleeves, and the felt pad, and then remove the shear blades.



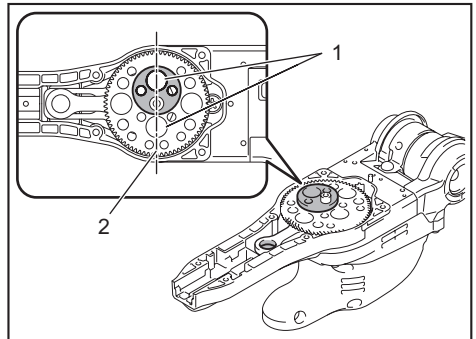
- 1. Felt pad 2. Bolt 3. Sleeve 4. Shear blades

**NOTICE:** Be careful not to lose the bolts.

5. Remove the blade cover, and then attach it to the new shear blades.

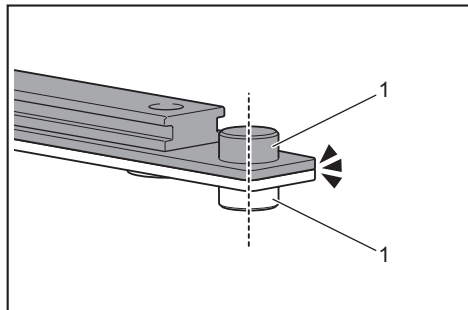


6. Adjust the crank so that 2 holes are lined up on the alignment line.



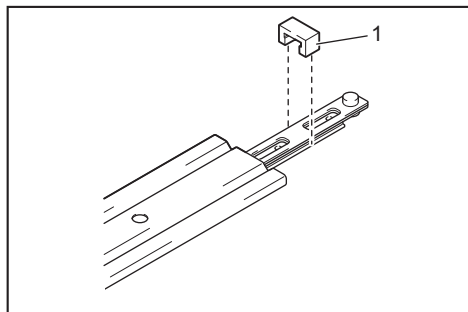
- 1. Hole 2. Alignment line

7. Align the protrusions on the shear blades vertically at the same position.



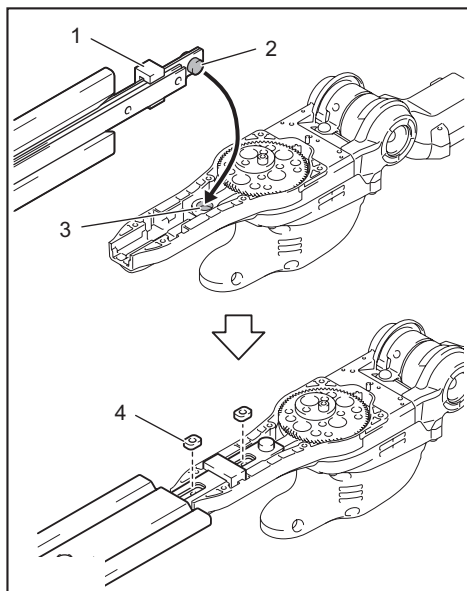
► 1. Protrusion

8. Attach the felt pad to the shear blades.



► 1. Felt pad

9. Insert the protrusion on the shear blades to the hole on the rod, then align the position of the felt pad with the holes on the tool, and then attach the sleeves.

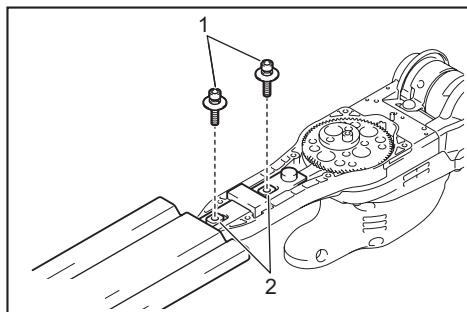


► 1. Felt pad 2. Protrusion 3. Hole 4. Sleeve

**NOTICE:** Apply a small amount of grease to the inner periphery of the hole of the rod.

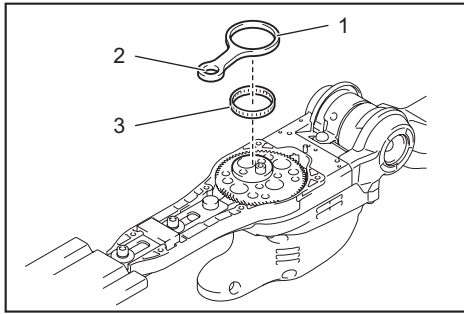
**NOTICE:** Be careful not to lose the sleeves.

10. Align the holes on the sleeves and the shear blades with the holes on the tool, and then tighten 2 bolts to fix the shear blades.



► 1. Bolt 2. Hole

11. Attach the bearing and the rod.

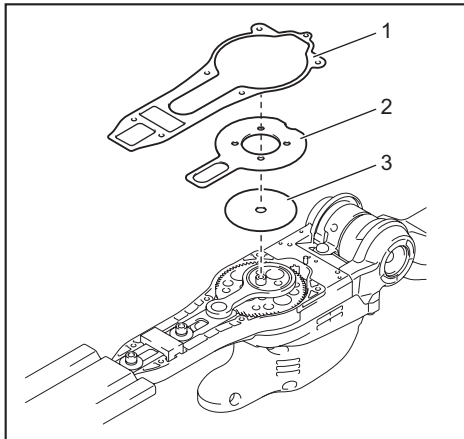


- 1. Rod 2. Small hole 3. Bearing

**NOTICE:** Apply a small amount of grease to the inner periphery of the small hole of the rod.

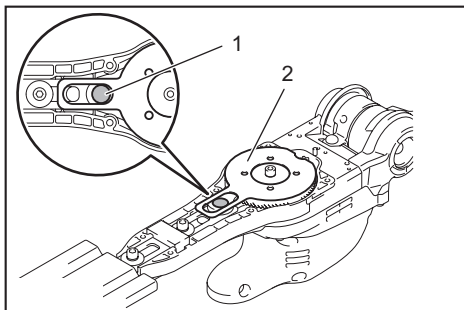
**NOTICE:** Make sure that the protrusion on the shear blades fits in the small hole on the rod.

12. Attach plate B, plate A, and the gasket.



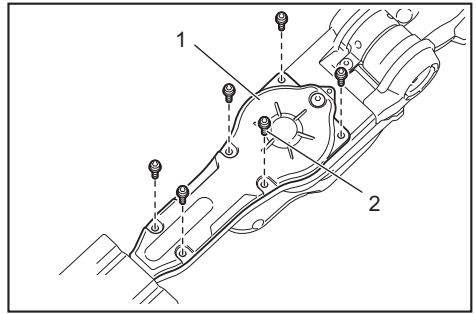
- 1. Gasket 2. Plate A 3. Plate B

13. Align the hole in the plate with the protrusion on the shear blades so that the protrusion fits in the hole.



- 1. Protrusion 2. Plate

14. Attach the cover, and then tighten 6 bolts.



- 1. Cover 2. Bolt

**NOTICE:** If the shear blades do not move smoothly, the shear blades are not engaged with the rods properly. Install the shear blades again.

**NOTICE:** If the parts other than the shear blades such as the rods are worn out, ask Makita Authorized Service Centers for parts replacement or repairs.

## OPERATION

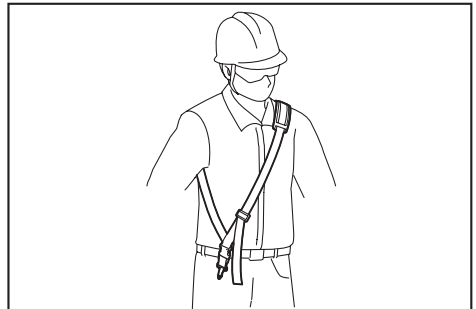
### Attaching the shoulder harness

*Optional accessory for XNU01*

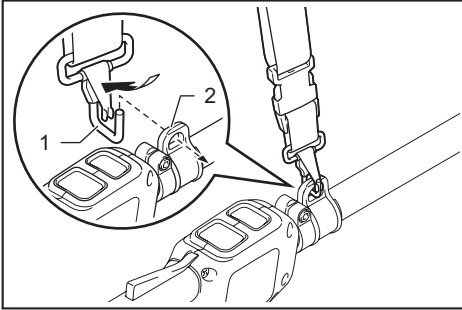
**CAUTION:** Before operation, make sure that the shoulder harness is properly attached to the hanger on the tool.

**NOTE:** Use the shoulder harness attached to the tool. Before operation, adjust the shoulder harness according to the user size to prevent fatigue.

1. Wear the shoulder harness on your shoulder.

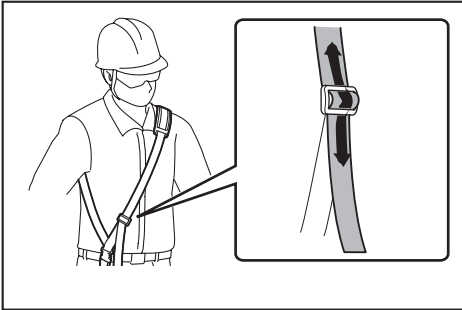


2. Clasp the hook on the shoulder harness to the tool's hanger.



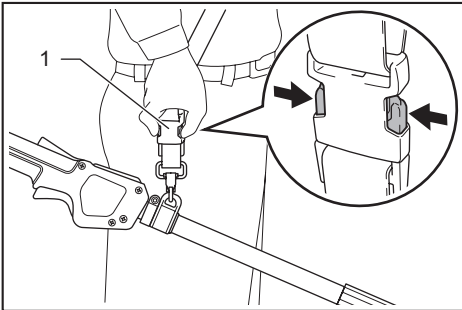
► 1. Hook 2. Hanger

3. Adjust the shoulder harness to a comfortable working position.



The shoulder harness features a means of quick release.

Simply squeeze the sides of the buckle to release the tool from the shoulder harness.



► 1. Buckle

## Operating the tool

**⚠ WARNING:** Do not use the tool near any electrical power lines. Contacting with power lines or using the tool near power lines may cause serious injury or electric shock resulting in death.

**⚠ WARNING:** Keep hands away from shear blades.

**⚠ WARNING:** Be extremely careful to maintain control of the tool at all times. Do not allow the tool to be deflected toward you or anyone in the work vicinity. Failure to keep control of the tool could result in serious injury to the bystander and the operator.

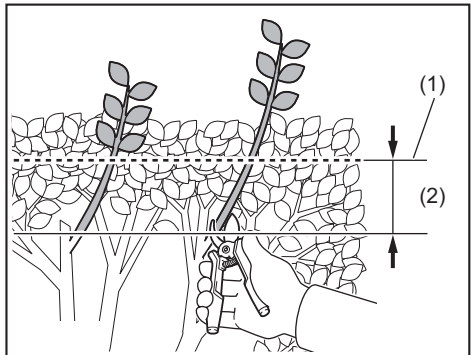
**⚠ CAUTION:** Avoid operating the tool in very hot weather as much as practicable. When operating the tool, be careful of your physical condition.

**⚠ CAUTION:** Be careful not to accidentally contact a metal fence or other hard objects while trimming. The shear blades may break and cause an injury.

**⚠ CAUTION:** Be careful not to allow the shear blades to contact the ground. The tool may recoil and cause an injury.

**⚠ CAUTION:** Overreaching with a hedge trimmer, particularly from a ladder, is extremely dangerous. Do not work while standing on anything wobbly or infirm.

**NOTICE:** Do not attempt to cut branches thicker than 10 mm (3/8") in diameter with the tool. Cut branches to 10 cm (4") lower than the cutting height using branch cutters before using the tool.



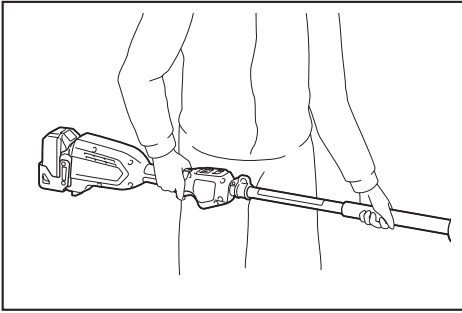
► (1) Cutting height (2) 10 cm (4")

**NOTICE:** Do not cut down dead trees or similar hard objects. Doing so may damage the tool.

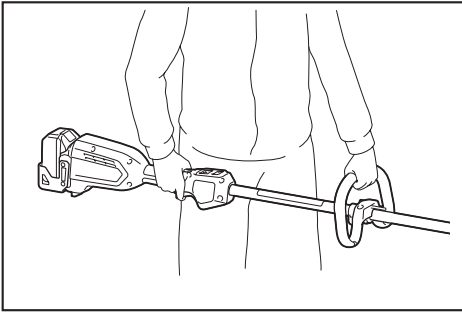
**NOTICE:** Do not trim the grass or weeds while using the shear blades. The shear blades may become tangled in the grass or weeds.

Hold the tool with both hands.

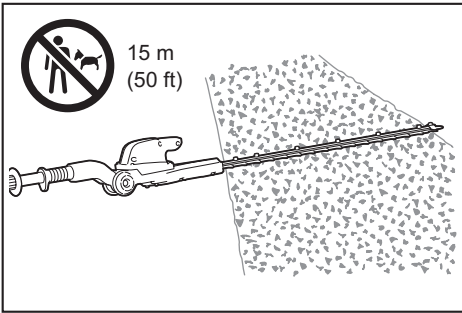
**For XNU01**



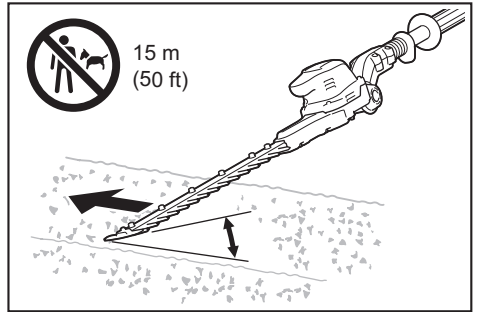
**For XNU02**



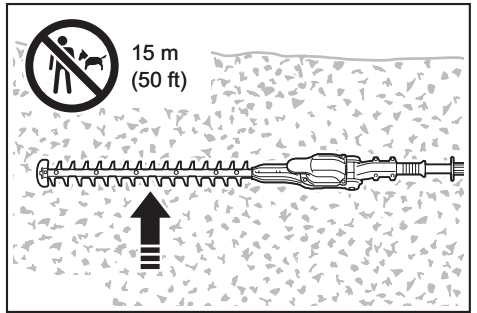
Pull the switch trigger while pressing the lever, and then move the tool forward.



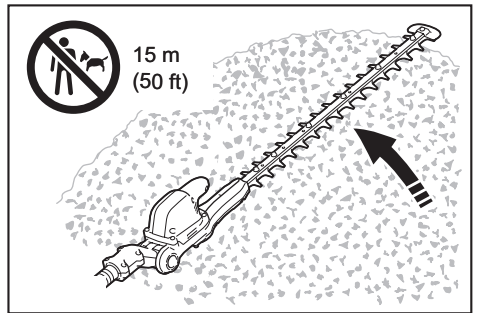
For basic operation, tilt the shear blades toward the trimming direction and move it calmly and slowly at the speed rate of 3 to 4 seconds per meter.



To cut a hedge side evenly, cut from the bottom to the top.



When trimming to make a round shape (trimming boxwood or rhododendron, etc.), trim from the root to the top for a beautiful finish.





# MAINTENANCE

**CAUTION:** Always be sure that the tool is switched off and the battery cartridge is removed before attempting to perform inspection or maintenance.

**CAUTION:** When inspecting or maintaining the tool, always put the tool down. Assembling or adjusting the tool in an upright position may result in serious injury.

To maintain product SAFETY and RELIABILITY, repairs, any other maintenance or adjustment should be performed by Makita Authorized or Factory Service Centers, always using Makita replacement parts.

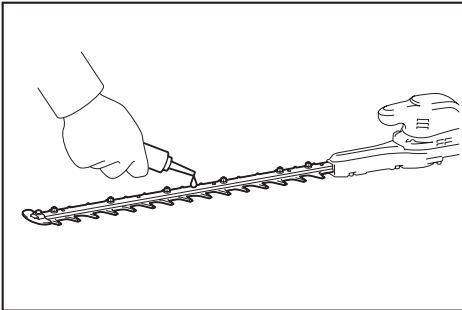
## Cleaning the tool

Clean the tool by wiping off dust with a dry cloth or one dipped in soapy water and wrung out.

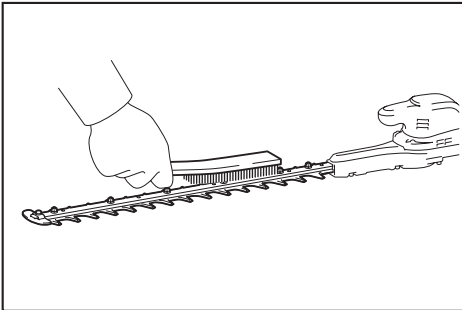
**NOTICE:** Never use gasoline, benzine, thinner, alcohol or the like. Discoloration, deformation or cracks may result.

## Shear blade maintenance

Before the operation or once per hour during operation, apply low-viscosity oil (machine oil, or spray-type lubricating oil) to the shear blades.



After operation, remove dust from both sides of the shear blades with a wired brush, wipe it off with a cloth and then apply low-viscosity oil (machine oil, or spray-type lubricating oil) to the shear blades.



**NOTICE:** Do not wash the shear blades in water. Doing so may cause rust or damage to the tool.

**NOTICE:** Dirt and corrosion cause excessive blade friction and shorten the operating time per battery charge.

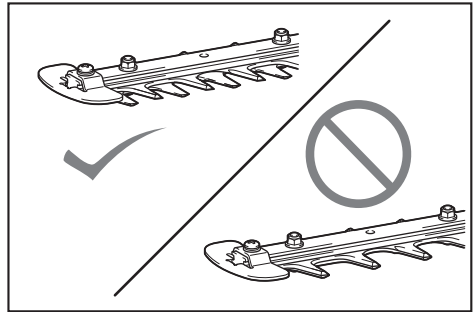
## Storage

Attach the blade cover to the shear blades so that the blades are not exposed. Store the tool out of the reach of children. Store the tool in a place not exposed to moisture or rain.

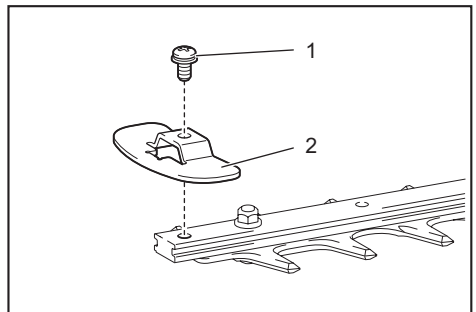
## Grinding the shear blades

**NOTICE:** If the shear blades have considerably deformed by grinding, replace the shear blades with new ones.

1. Install the battery cartridge to the tool.
2. Turn on and start the tool so that the upper blade and lower blade are positioned alternately.

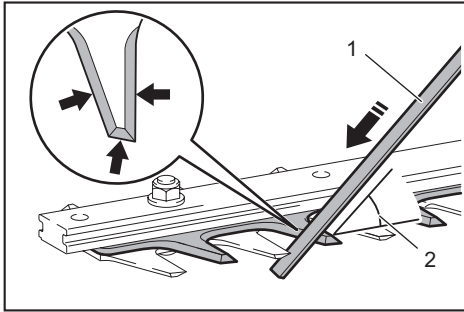


3. Turn off the tool and remove the battery cartridge from the tool.
4. Remove the screw, and then remove the branch catcher.



- 1. Screw 2. Branch catcher

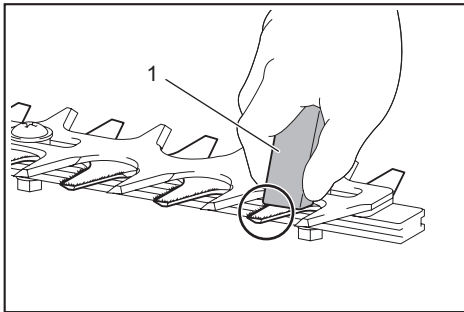
- Set the angle of a file to 45°, and grind the upper blade from 3 directions with the file.



- (1) File (2) 45°

**CAUTION:** Before grinding the shear blades, make sure that the tool is switched off and the battery cartridge is removed from the tool.

- Place the tool upside down, and then remove the burrs from the shear blades with the file.



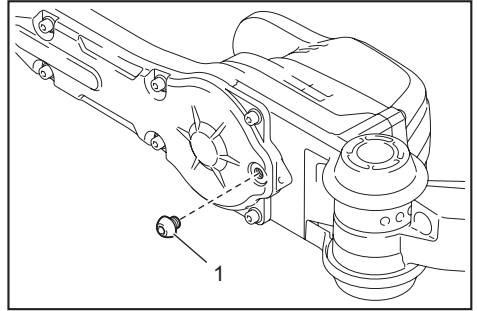
- 1. File

- Set the angle of the file to 45°, and grind the lower blade from 3 directions with the file.
- Return the tool to normal position, and then remove the burrs from the shear blades with the file.
- Attach the branch catcher by tightening the screw.

## Grease lubrication

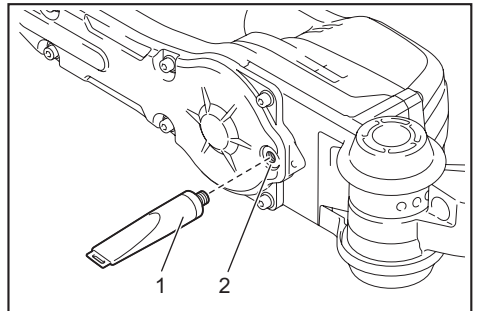
**Interval of lubrication:** Every 25 operating hours

- Remove the bolt from the hole for lubrication.



- 1. Bolt

- Remove the cap from the grease vessel. Align the outlet of the grease vessel with the hole on the cover, and then press the outlet of the grease vessel onto the hole.



- 1. Grease vessel 2. Hole

- Apply the grease to the tool (Approximately 5 g (0.2 oz) as a guide).
- Tighten the bolt.

# TROUBLESHOOTING

Before asking for repairs, conduct your own inspection first. If you find a problem that is not explained in the manual, do not attempt to dismantle the tool. Instead, ask Makita Authorized Service Centers, always using Makita replacement parts for repairs.

State of abnormality	Probable cause (malfunction)	Remedy
Motor does not run.	Battery cartridge is not installed.	Install the battery cartridge.
	Battery problem (under voltage)	Recharge the battery. If recharging is not effective, replace battery.
	The drive system does not work correctly.	Ask your local authorized service center for repair.
Motor stops running after a little use.	Battery's charge level is low.	Recharge the battery. If recharging is not effective, replace battery.
	Overheating.	Stop using of tool to allow it to cool down.
Tool does not reach maximum RPM.	Battery is installed improperly.	Install the battery cartridge as described in this manual.
	Battery power is dropping.	Recharge the battery. If recharging is not effective, replace battery.
	The drive system does not work correctly.	Ask your local authorized service center for repair.
Shear blades do not move: ⇒ stop the machine immediately!	Inappropriate angle of shear blades.	Make sure that the head is properly fixed in the operational angle.
	Foreign objects are caught between the shear blades.	1. Use the reverse button. 2. Switch off the tool and remove the battery cartridge, and then remove the foreign objects using tools such as pliers.
	The drive system does not work correctly.	Ask your local authorized service center for repair.
Abnormal vibration: ⇒ stop the machine immediately!	Shear blades are broken, bent or worn.	Replace the shear blades.
	The drive system does not work correctly.	Ask your local authorized service center for repair.
Shear blades and motor cannot stop: ⇒ Remove the battery immediately!	Electric malfunction.	Remove the battery and ask your local authorized service center for repair.

## OPTIONAL ACCESSORIES

**⚠ CAUTION:** These accessories or attachments are recommended for use with your Makita tool specified in this manual. The use of any other accessories or attachments might present a risk of injury to persons. Only use accessory or attachment for its stated purpose.

If you need any assistance for more details regarding these accessories, ask your local Makita Service Center.

- Shear blade assembly
- Grease vessel
- Shoulder harness
- Makita genuine battery and charger

**NOTE:** Some items in the list may be included in the tool package as standard accessories. They may differ from country to country.

## MAKITA LIMITED WARRANTY

Please refer to the annexed warranty sheet for the most current warranty terms applicable to this product. If annexed warranty sheet is not available, refer to the warranty details set forth at below website for your respective country.

United States of America: [www.makitatools.com](http://www.makitatools.com)

Canada: [www.makita.ca](http://www.makita.ca)

Other countries: [www.makita.com](http://www.makita.com)

## ESPECIFICACIONES

Modelo:	XNU01	XNU02
Longitud de la cuchilla	500 mm (19-3/4")	600 mm (23-5/8")
Carreras por minuto	2 000 cpm / 3 600 cpm / 4 400 cpm	
Ángulo de la cuchilla de corte	115° (hacia arriba 45°, hacia abajo 70°)	-
Longitud total	2 115 mm (83-1/4")	2 050 mm (80-1/2")
Tensión nominal	18 V c.c.	
Peso neto	3,9 kg - 4,2 kg (8,6 lbs - 9,3 lbs)	3,7 kg - 4,0 kg (8,2 lbs - 8,8 lbs)

- Debido a nuestro continuo programa de investigación y desarrollo, las especificaciones aquí incluidas están sujetas a cambio sin previo aviso.
- Las especificaciones pueden variar de país a país.
- El peso puede variar en función de los accesorios, incluido el cartucho de batería. En la tabla se muestra la combinación de peso más ligero y más pesado conforme al procedimiento 01/2014 de EPTA.

## Cartucho de batería y cargador aplicables

Cartucho de batería	BL1815N / BL1820B / BL1830 / BL1830B / BL1840B / BL1850B / BL1860B
Cargador	DC18RC / DC18RD / DC18RE / DC18SD / DC18SE / DC18SF / DC18SH

- Algunos de los cartuchos de batería y cargadores enumerados arriba podrían no estar disponibles dependiendo de su área de residencia.

**⚠ADVERTENCIA:** Use únicamente los cartuchos de batería y los cargadores indicados arriba. El uso de cualquier otro cartucho de batería y cargador podría ocasionar una lesión y/o un incendio.

## Adaptador para batería recomendado

Adaptador para batería	PDC01
------------------------	-------

- El o los adaptadores para batería enumerados arriba podrían no estar disponibles dependiendo de su área de residencia.
- Antes de utilizar el adaptador para batería, lea las instrucciones e indicaciones de precaución sobre el adaptador para batería.

## ADVERTENCIAS DE SEGURIDAD

### Advertencias generales de seguridad para herramientas eléctricas

**⚠ADVERTENCIA:** Lea todas las advertencias de seguridad, instrucciones, ilustraciones y especificaciones suministradas con esta herramienta eléctrica. El no seguir todas las instrucciones indicadas a continuación podría ocasionar una descarga eléctrica, incendio y/o lesiones graves.

### Conserve todas las advertencias e instrucciones como referencia en el futuro.

En las advertencias, el término "herramienta eléctrica" se refiere a su herramienta eléctrica de funcionamiento con conexión a la red eléctrica (con cableado eléctrico) o herramienta eléctrica de funcionamiento a batería (inalámbrica).

#### Seguridad en el área de trabajo

1. **Mantenga el área de trabajo limpia y bien iluminada.** Las áreas oscuras o desordenadas son propensas a accidentes.
2. **No utilice las herramientas eléctricas en atmósferas explosivas, tal como en la presencia de líquidos, gases o polvo inflamables.** Las herramientas eléctricas crean chispas que pueden prender fuego al polvo o los humos.
3. **Mantenga a los niños y curiosos alejados mientras utiliza una herramienta eléctrica.** Las distracciones le pueden hacer perder el control.

## Seguridad eléctrica

1. **Las clavijas de conexión de las herramientas eléctricas deberán encajar perfectamente en la toma de corriente. No modifique nunca la clavija de conexión de ninguna forma. No utilice ninguna clavija adaptadora con herramientas eléctricas que tengan conexión a tierra (puesta a tierra).** La utilización de clavijas no modificadas y que encajen perfectamente en la toma de corriente reducirá el riesgo de que se produzca una descarga eléctrica.
2. **Evite tocar con el cuerpo superficies conectadas a tierra o puestas a tierra tales como tubos, radiadores, cocinas y refrigeradores.** Si su cuerpo es puesto a tierra o conectado a tierra existirá un mayor riesgo de que sufra una descarga eléctrica.
3. **No exponga las herramientas eléctricas a la lluvia ni a condiciones húmedas.** La entrada de agua en una herramienta eléctrica aumentará el riesgo de que se produzca una descarga eléctrica.
4. **No maltrate el cable. Nunca utilice el cable para transportar, jalar o desconectar la herramienta eléctrica. Mantenga el cable alejado del calor, aceite, objetos cortantes o piezas móviles.** Los cables dañados o enredados aumentan el riesgo de sufrir una descarga eléctrica.
5. **Cuando utilice una herramienta eléctrica en exteriores, utilice un cable de extensión apropiado para uso en exteriores.** La utilización de un cable apropiado para uso en exteriores reducirá el riesgo de que se produzca una descarga eléctrica.
6. **Si no es posible evitar usar una herramienta eléctrica en condiciones húmedas, utilice un alimentador protegido con interruptor de circuito de falla a tierra (ICFT).** El uso de un ICFT reduce el riesgo de descarga eléctrica.
7. **Las herramientas eléctricas pueden producir campos electromagnéticos (CEM) que no son dañinos para el usuario.** Sin embargo, si los usuarios tienen marcapasos y otros dispositivos médicos similares, deberán consultar al fabricante de su dispositivo y/o a su médico antes de operar esta herramienta eléctrica.

## Seguridad personal

1. **Manténgase alerta, preste atención a lo que está haciendo y utilice su sentido común cuando opere una herramienta eléctrica. No utilice una herramienta eléctrica cuando esté cansado o bajo la influencia de drogas, alcohol o medicamentos.** Un momento de distracción mientras opera las herramientas eléctricas puede terminar en una lesión grave.
2. **Use equipo de protección personal. Póngase siempre protección para los ojos.** El equipo protector tal como máscara contra el polvo, zapatos de seguridad antiderrapantes, casco rígido y protección para oídos utilizado en las condiciones apropiadas reducirá el riesgo de lesiones.
3. **Impida el encendido accidental. Asegúrese de que el interruptor esté en la posición de apagado antes de conectar a la alimentación eléctrica y/o de colocar el cartucho de batería, así como al levantar o cargar la herramienta.** Cargar las herramientas eléctricas con su dedo en el interruptor o enchufarlas con el interruptor encendido hace que los accidentes sean comunes.

4. **Retire cualquier llave de ajuste o llave de apriete antes de encender la herramienta.** Una llave de ajuste o llave de apriete que haya sido dejada puesta en una parte giratoria de la herramienta eléctrica puede ocasionar alguna lesión.
5. **No utilice la herramienta donde no alcance. Mantenga los pies sobre suelo firme y el equilibrio en todo momento.** Esto permite un mejor control de la herramienta eléctrica en situaciones inesperadas.
6. **Use una vestimenta apropiada. No use ropa suelta ni alhajas. Mantenga el cabello, la ropa y los guantes alejados de las piezas móviles.** Las prendas de vestir holgadas, las alhajas y el cabello largo suelto podrían engancharse en estas piezas móviles.
7. **Si dispone de dispositivos para la conexión de equipos de extracción y recolección de polvo, asegúrese de conectarlos y utilizarlos debidamente.** Hacer uso de la recolección de polvo puede reducir los riesgos relacionados con el polvo.
8. **No permita que la familiaridad adquirida debido al uso frecuente de las herramientas haga que se sienta confiado e ignore los principios de seguridad de las herramientas.** Un descuido podría ocasionar una lesión grave en una fracción de segundo.
9. **Utilice siempre gafas protectoras para proteger sus ojos de lesiones al usar herramientas eléctricas. Las gafas deben cumplir con la Norma ANSI Z87.1 en EUA.** Es responsabilidad del empleador imponer el uso de equipos protectores de seguridad apropiados a los operadores de la herramienta y demás personas cerca del área de trabajo.

## Mantenimiento y uso de la herramienta eléctrica

1. **No fuerce la herramienta eléctrica. Utilice la herramienta eléctrica correcta para su aplicación.** La herramienta eléctrica adecuada hará un mejor trabajo y de forma más segura a la velocidad para la que ha sido fabricada.
2. **No utilice la herramienta eléctrica si el interruptor no la enciende y apaga.** Cualquier herramienta eléctrica que no pueda ser controlada con el interruptor es peligrosa y debe ser reemplazada.
3. **Desconecte la clavija de la fuente de alimentación y/o retire la batería de la herramienta eléctrica, en caso de ser removible, antes de realizar ajustes, cambiar accesorios o almacenar las herramientas eléctricas.** Tales medidas de seguridad preventivas reducirán el riesgo de poner en marcha la herramienta eléctrica de forma accidental.
4. **Guarde la herramienta eléctrica que no use fuera del alcance de los niños y no permita que las personas que no están familiarizadas con ella o con las instrucciones la operen.** Las herramientas eléctricas son peligrosas en manos de personas que no saben operarlas.

5. **Dé mantenimiento a las herramientas eléctricas y los accesorios. Compruebe que no haya piezas móviles desalineadas o estancadas, piezas rotas y cualquier otra condición que pueda afectar al funcionamiento de la herramienta eléctrica. Si la herramienta eléctrica está dañada, haga que la reparen antes de utilizarla.** Muchos de los accidentes son ocasionados por no dar un mantenimiento adecuado a las herramientas eléctricas.
6. **Mantenga las herramientas de corte limpias y filosas.** Si recibe un mantenimiento adecuado y tiene los bordes afilados, es probable que la herramienta se atasque menos y sea más fácil controlarla.
7. **Utilice la herramienta eléctrica, los accesorios y las brocas de acuerdo con estas instrucciones, considerando las condiciones laborales y el trabajo a realizar.** Si utiliza la herramienta eléctrica para realizar operaciones distintas de las indicadas, podrá presentarse una situación peligrosa.
8. **Mantenga los mangos y superficies de asiento secos, limpios y libres de aceite o grasa.** Los mangos y superficies de asiento resbalosos no permiten una manipulación segura ni el control de la herramienta en situaciones inesperadas.
9. **Cuando vaya a utilizar esta herramienta, evite usar guantes de trabajo de tela ya que éstos podrían atorarse.** Si los guantes de trabajo de tela llegaran a atorarse en las piezas móviles, esto podría ocasionar lesiones personales.

#### Uso y cuidado de la herramienta a batería

1. **Recargue sólo con el cargador especificado por el fabricante.** Un cargador que es adecuado para un solo tipo de batería puede generar riesgo de incendio al ser utilizado con otra batería.
2. **Utilice las herramientas eléctricas solamente con las baterías designadas específicamente para ellas.** La utilización de cualquier otra batería puede crear un riesgo de lesiones o incendio.
3. **Cuando no se esté usando la batería, manténgala alejada de otros objetos metálicos, como sujetapapeles (clips), monedas, llaves, clavos, tornillos u otros objetos pequeños de metal los cuales pueden actuar creando una conexión entre las terminales de la batería.** Originar un cortocircuito en las terminales puede causar quemaduras o incendios.
4. **En condiciones abusivas, podrá escapar líquido de la batería; evite tocarlo. Si lo toca accidentalmente, enjuague con agua. Si hay contacto del líquido con los ojos, busque asistencia médica.** Puede que el líquido expulsado de la batería cause irritación o quemaduras.
5. **No utilice una herramienta ni una batería que estén dañadas o hayan sido modificadas.** Las baterías dañadas o modificadas podrían ocasionar una situación inesperada provocando un incendio, explosión o riesgo de lesiones.
6. **No exponga la herramienta ni la batería al fuego ni a una temperatura excesiva.** La exposición al fuego o a una temperatura superior a los 130 °C podría causar una explosión.

7. **Siga todas las instrucciones para la carga y evite cargar la herramienta o la batería fuera del rango de temperatura especificado en las instrucciones.** Una carga inadecuada o a una temperatura fuera del rango especificado podría dañar la batería e incrementar el riesgo de incendio.

#### Servicio

1. **Haga que una persona calificada repare la herramienta eléctrica utilizando sólo piezas de repuesto idénticas.** Esto asegura que se mantenga la seguridad de la herramienta eléctrica.
2. **Nunca dé servicio a baterías que estén dañadas.** El servicio a las baterías solamente deberá ser efectuado por el fabricante o un agente de servicio autorizado.
3. **Siga las instrucciones para la lubricación y cambio de accesorios.**
4. **No modifique ni intente reparar el aparato ni el paquete de baterías salvo como se indique en las instrucciones para el uso y cuidado.**

### Advertencias de seguridad para el cortasetos de extensión inalámbrico

1. **Mantenga todas las partes del cuerpo alejadas de la cuchilla de corte. No retire ni sostenga el material que va a cortar cuando las cuchillas estén en movimiento. Las cuchillas siguen girando por inercia aún después de apagadas. Asegúrese de que el interruptor se encuentre apagado antes de despejar el material atascado.** Un momento de distracción mientras opera el cortasetos podría ocasionar lesiones personales graves.
2. **Sostenga el cortasetos por el mango cuando la cuchilla de corte se encuentre detenida.** La manipulación adecuada del cortasetos reducirá la posibilidad de lesiones personales ocasionadas por las cuchillas de corte.
3. **Sujete la herramienta solamente por las superficies de asiento aisladas, ya que la cuchilla de corte podría entrar en contacto con cableado oculto.** Las cuchillas de corte que entren en contacto con un cable con corriente podrán hacer que la corriente circule por las piezas metálicas expuestas de la herramienta eléctrica pudiendo ocasionar una descarga eléctrica al operador.
4. **PELIGRO - Mantenga las manos alejadas de la cuchilla.** El contacto con la cuchilla podría ocasionar lesiones personales graves.
5. **Antes de operar la herramienta, revise los setos y arbustos para ver que no haya objetos extraños, tales como cercas de alambre o cableado oculto.**
6. **No utilice el cortasetos de extensión en condiciones de mal clima, especialmente cuando exista riesgo de rayos.** Esto disminuye el riesgo de ser golpeado por un rayo.
7. **Para reducir el riesgo de choque eléctrico, nunca lo utilice cerca de ningún cable eléctrico.** El contacto con cables eléctricos o su uso cerca de ellos puede causar lesiones graves o descargas eléctricas, que pueden causar la muerte.

8. **Utilice siempre ambas manos cuando opere el cortasetos de extensión.** Sostenga la herramienta con las dos manos para evitar la pérdida de control.
9. **Utilice siempre protección para la cabeza cuando opere el cortasetos de extensión por encima de su cabeza.** Los restos que caigan pueden ocasionar graves lesiones personales.
10. **ADVERTENCIA: úsese solo con el mango y el protector correctamente ensamblados al cortasetos.** El uso del cortasetos sin el protector o el mango adecuado proporcionado puede ocasionar lesiones personales graves.
11. **Asegúrese de pisar firmemente antes de comenzar la operación, y mantenga el equilibrio en todo momento.**
12. **Use gafas protectoras, casco de seguridad y guantes protectores para protegerse de los residuos que salgan volando u objetos que caen.**
13. **Durante la operación, mantenga a las personas o animales alrededor a por lo menos 15 m (50 ft) de distancia de la herramienta.** Detenga la herramienta en cuanto alguien se acerque.
14. **No utilice la herramienta bajo la lluvia o en lugares mojados ni en condiciones de mucha humedad.** El motor eléctrico no es a prueba de agua.
15. **Un usuario con experiencia deberá enseñar a los usuarios primerizos cómo manejar la herramienta.**
16. **La herramienta no deberá ser utilizada por niños ni por personas menores de 18 años.** Esta restricción podrá pasarse por alto para personas mayores de 16 años siempre que reciban la capacitación correspondiente bajo la supervisión de un experto.
17. **Utilice la herramienta sólo si se encuentra en buena condición física.** Si está cansado, su atención se verá disminuida. Sea especialmente cuidadoso al término de una jornada laboral. Realice todo el trabajo tranquila y cuidadosamente. El usuario será responsable de todos los daños a terceras personas.
18. **Nunca utilice la herramienta si está bajo la influencia de alcohol, drogas o algún medicamento.**
19. **Los guantes de trabajo hechos de piel gruesa forman parte del equipo básico de la herramienta y deberán usarse siempre que se trabaje con éste.** Utilice también zapatos resistentes con suelas antiderrapantes.
20. **Antes de comenzar el trabajo, revise la herramienta para asegurarse de que está en buen estado y en condiciones seguras de funcionamiento.** Asegúrese de que los protectores estén colocados correctamente. La herramienta no deberá ser utilizada hasta que se encuentre totalmente ensamblada.
21. **Siempre que utilice la herramienta sosténgala firmemente.**
22. **No opere la herramienta sin carga innecesariamente.**
23. **Si la pieza de corte entra en contacto con alguna cerca u otro objeto duro, apague inmediatamente el motor y retire el cartucho de batería.** Verifique si la cortadora presenta algún daño, de ser así deberá ser reparada de inmediato.
24. **Siempre apague la herramienta y retire el cartucho de batería antes de revisar las cuchillas de cizalla, enmendar fallas o retirar algún material atorado en las cuchillas de cizalla.**
25. **Apague la herramienta y retire el cartucho de batería antes de realizar cualquier trabajo de mantenimiento.**
26. **Siempre que traslade la herramienta a otro lugar, aun durante el trabajo, retire el cartucho de batería y coloque la cubierta de las cuchillas para cubrir las cuchillas de cizalla.** Nunca cargue ni transporte la herramienta con las cuchillas funcionando. Nunca sostenga las cuchillas con sus manos.
27. **Limpie la herramienta y en especial las cuchillas de cizalla después de usarlas y antes de almacenar la herramienta por períodos prolongados.** Aplique una capa ligera de aceite a las cuchillas y coloque la cubierta.
28. **Cuando no se vayan a usar, coloque la cubierta de las cuchillas a la herramienta y almacene la herramienta en interiores en un lugar seco y elevado, cerrado con llave, fuera del alcance de los niños.**
29. **Nunca apunte las cuchillas de cizalla hacia usted ni hacia otras personas.**
30. **Si las cuchillas se dejan de mover a causa de objetos extraños atorados entre ellas durante la operación, apague la herramienta, extraiga el cartucho de batería y luego retire los objetos extraños usando herramientas tales como pinzas.** El retirar los objetos extraños con la mano podría ocasionar una lesión, debido a que las cuchillas pueden moverse al intentar retirarlas.
31. **Evite los entornos peligrosos. No utilice la herramienta en lugares húmedos o mojados ni la esponja a la lluvia.** El agua que ingrese a la herramienta incrementará el riesgo de descarga eléctrica.
32. **No arroje la(s) batería(s) al fuego.** La celda podría explotar. Consulte los códigos locales para ver si hay instrucciones especiales relacionadas con la disposición.
33. **No abra ni dañe la(s) batería(s).** Los electrolitos liberados son corrosivos y pueden ocasionar daños en los ojos o la piel. Estos pueden ser tóxicos si se llegan a tragar.
34. **No cargue la batería bajo la lluvia ni en lugares mojados.**
35. **Antes de la operación, examine el área de trabajo para ver si hay alambrados, piedras u otros objetos sólidos.** Estos pueden dañar las cuchillas.
36. **Use guantes protectores cuando toque las cuchillas o ajuste el ángulo de las cuchillas.** Las cuchillas podrían provocar cortaduras graves en las manos descubiertas.



37. **Tenga cuidado de no tocar accidentalmente una cerca de metal u otros objetos duros durante la operación.** La cuchilla se romperá y ocasionar una lesión grave.
38. **Evite un arranque accidental. No traslade la herramienta cuando el cartucho de batería esté instalado y con el dedo puesto sobre el interruptor. Asegúrese de que el interruptor se encuentre apagado cuando instale el cartucho de batería.**
39. **Evite tocar las cuchillas o bordes de corte expuestos cuando levante o sostenga la herramienta.**
40. **No fuerce la herramienta.** Esto permitirá hacer mejor el trabajo con un menor riesgo de lesiones a la velocidad para la que fue diseñada.
41. **Dé mantenimiento cuidadoso a la herramienta. Mantenga el borde de corte afilado y limpio para lograr un desempeño óptimo y reducir así el riesgo de lesiones. Siga las instrucciones para la lubricación y el cambio de los accesorios. Mantenga los mangos secos, limpios, y libres de aceite y grasa.**
42. **Inspeccione las piezas dañadas. Antes de continuar usando la herramienta, cualquier pieza que esté dañada deberá revisarse cuidadosamente para confirmar que puedan funcionar debidamente y realizar la función para la que fue diseñada. Verifique la alineación de las piezas móviles, la unión de las mismas, roturas de las piezas, la instalación y cualquier otra condición que pueda afectar su funcionamiento. Cualquier protector o pieza dañada deberá repararse debidamente o reemplazarse en su centro de servicio autorizado.**
43. **Utilice únicamente piezas de repuesto originales.**

## GUARDE ESTAS INSTRUCCIONES.

**⚠️ ADVERTENCIA:** NO DEJE que la comodidad o familiaridad con el producto (a base de utilizarlo repetidamente) evite que siga estrictamente las normas de seguridad para dicho producto. El USO INCORRECTO o el no seguir las normas de seguridad indicadas en este manual de instrucciones puede ocasionar lesiones graves.

**⚠️ ADVERTENCIA:** El uso de este producto puede producir polvo que contenga sustancias químicas que podrían causar enfermedades respiratorias o de otro tipo. Algunos ejemplos de estas sustancias químicas son los compuestos encontrados en pesticidas, insecticidas, fertilizantes y herbicidas.

El riesgo al que se expone varía, dependiendo de la frecuencia con la que realice este tipo de trabajo. Para reducir la exposición a estas sustancias químicas: trabaje en un área bien ventilada y use un equipo de seguridad aprobado, tal como las máscaras contra polvo que están especialmente diseñadas para filtrar partículas microscópicas.

## Símbolos

A continuación se muestran los símbolos utilizados para la herramienta.

V	volts o voltios
— — —	corriente directa o continua
n <sub>o</sub>	velocidad sin carga
... /min r /min	revoluciones o alternaciones por minuto, frecuencia de rotación

## Instrucciones importantes de seguridad para el cartucho de batería

1. **Antes de utilizar el cartucho de batería, lea todas las instrucciones e indicaciones de precaución en el (1) el cargador de batería, (2) la batería, y (3) el producto con el que se utiliza la batería.**
2. **No desarme el cartucho de batería.**
3. **Si el tiempo de operación se ha acortado en exceso, deje de operar de inmediato. Podría correrse el riesgo de sobrecalentamiento, posibles quemaduras e incluso explosión.**
4. **En caso de que ingresen electrolitos en sus ojos, enjuáguelos bien con agua limpia y consulte de inmediato a un médico. Esto podría ocasionar pérdida de visión.**
5. **Evite cortocircuitar el cartucho de batería:**
  - (1) **No toque las terminales con ningún material conductor.**
  - (2) **Evite guardar el cartucho de batería en un cajón junto con otros objetos metálicos, tales como clavos, monedas, etc.**
  - (3) **No exponga el cartucho de batería al agua o la lluvia.**

Un cortocircuito en la batería puede causar un flujo grande de corriente, sobrecalentamiento, posibles quemaduras e incluso una descompostura.
6. **No guarde la herramienta ni el cartucho de batería en lugares donde la temperatura pueda alcanzar o exceder los 50°C (122°F).**
7. **Nunca incinere el cartucho de batería incluso en el caso de que esté dañado seriamente o ya no sirva en absoluto. El cartucho de batería puede explotar si se tira al fuego.**
8. **Tenga cuidado de no dejar caer ni golpear la batería.**
9. **No use una batería dañada.**
10. **Las baterías de ión de litio están sujetas a los requisitos reglamentarios en materia de bienes peligrosos.**

Para el transporte comercial, por ej., mediante terceros o agentes de transporte, se deben tomar en cuenta los requisitos especiales relativos al empaque y el etiquetado.



Para efectuar los preparativos del artículo que se va a enviar, se requiere consultar a un experto en materiales peligrosos. Si es posible, consulte además otras regulaciones nacionales más detalladas.

Pegue o cubra con cinta adhesiva los contactos abiertos y empaque la batería de manera que ésta no pueda moverse dentro del paquete.

11. **Para deshacerse del cartucho de batería, sáquelo de la herramienta y deséchelo en un lugar seguro. Siga las regulaciones locales relacionadas al desecho de las baterías.**
12. **Utilice las baterías únicamente con los productos especificados por Makita.** Instalar las baterías en productos que no cumplan con los requisitos podría ocasionar un incendio, un calentamiento excesivo, una explosión o una fuga de electrolito.
13. **Si no se utiliza la herramienta por un período largo, debe extraerse la batería de la herramienta.**

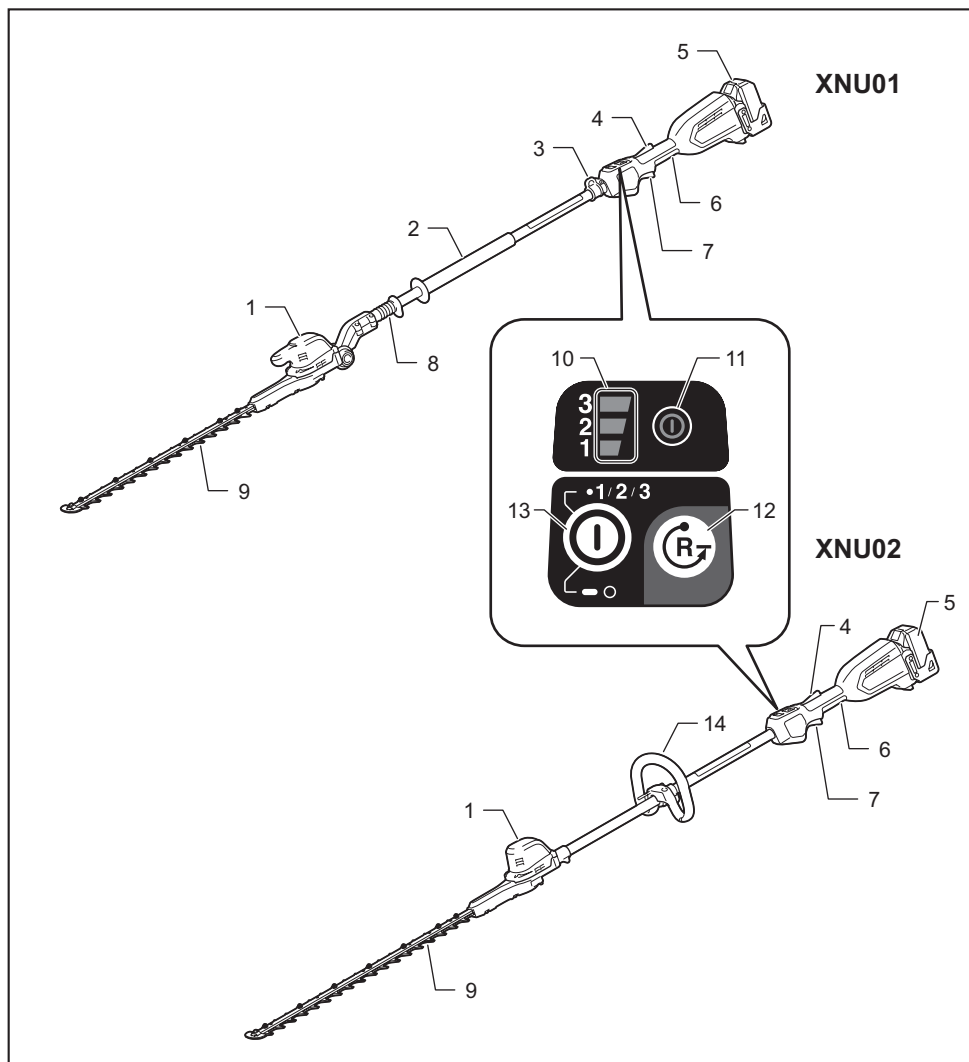
## **GUARDE ESTAS INSTRUCCIONES.**

**⚠PRECAUCIÓN:** Utilice únicamente baterías originales de Makita. El uso de baterías no originales de Makita, o de baterías alteradas, puede ocasionar que las baterías exploten causando un incendio, lesiones personales y daños. Asimismo, esto invalidará la garantía de Makita para la herramienta y el cargador Makita.

## **Consejos para alargar al máximo la vida útil de la batería**

1. **Cargue el cartucho de batería antes de que se descargue completamente. Pare siempre la operación y cargue el cartucho de batería cuando note menos potencia en la herramienta.**
2. **No cargue nunca un cartucho de batería que esté completamente cargado. La sobrecarga acortará la vida de servicio de la batería.**
3. **Cargue el cartucho de batería a una temperatura ambiente de 10 °C - 40 °C (50 °F - 104 °F). Si un cartucho de batería está caliente, déjelo enfriar antes de cargarlo.**
4. **Cargue el cartucho de batería si no va a utilizarlo durante un período prolongado (más de seis meses).**

# DESCRIPCIÓN DE LAS PIEZAS



1	Cabeza	2	Empuñadura delantera	3	Colgador	4	Palanca
5	Cartucho de batería	6	Empuñadura trasera	7	Gatillo interruptor	8	Manguito de deslizamiento
9	Cuchillas de cizalla	10	Indicador de velocidad	11	Luz de alimentación	12	Botón de inversión
13	Botón de encendido principal	14	Mango	-	-	-	-

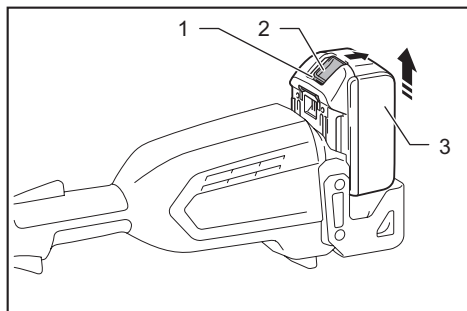
# DESCRIPCIÓN DEL FUNCIONAMIENTO

**⚠️ PRECAUCIÓN:** Asegúrese siempre de que la herramienta esté apagada y el cartucho de batería haya sido extraído antes de realizar cualquier ajuste o comprobación en la herramienta.

## Instalación o extracción del cartucho de batería

**⚠️ PRECAUCIÓN:** Apague siempre la herramienta antes de colocar o quitar el cartucho de batería.

**⚠️ PRECAUCIÓN:** Sujete la herramienta y el cartucho de la batería con firmeza al colocar o quitar el cartucho de batería. Si no se sujeta con firmeza la herramienta y el cartucho de batería, puede ocasionar que se resbalen de sus manos causando daños a la herramienta y al cartucho de batería, así como lesiones a la persona.



► 1. Indicador rojo 2. Botón 3. Cartucho de batería

Para quitar el cartucho de batería, deslícelo de la herramienta mientras desliza el botón sobre la parte delantera del cartucho.

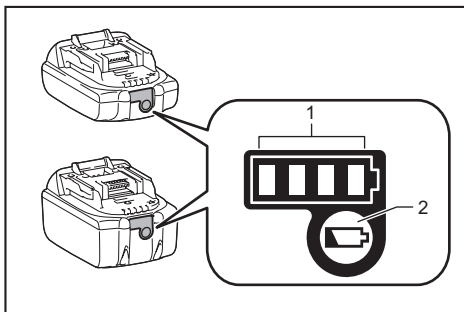
Para colocar el cartucho de batería, alinee la lengüeta sobre el cartucho de batería con la ranura en la carcasa y deslice en su lugar. Inserte por completo hasta que se fije en su lugar con un pequeño clic. Si puede ver el indicador rojo del lado superior del botón, esto indica que no ha quedado fijo por completo.

**⚠️ PRECAUCIÓN:** Introduzca siempre completamente el cartucho de batería hasta que el indicador rojo no pueda verse. Si no, podría accidentalmente salirse de la herramienta y caer al suelo causando una lesión a usted o alguien a su alrededor.

**⚠️ PRECAUCIÓN:** No instale el cartucho de batería a la fuerza. Si el cartucho no se desliza al interior fácilmente, se debe a que no está siendo insertado correctamente.

## Indicación de la capacidad restante de la batería

Únicamente para cartuchos de batería con el indicador



► 1. Luces indicadoras 2. Botón de verificación



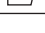





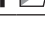



Oprima el botón de verificación en el cartucho de la batería para que indique la capacidad restante de la batería. Las luces indicadoras se iluminarán por algunos segundos.

Luces indicadoras			Capacidad restante
Iluminadas	Apagadas	Parpadeando	
■ ■ ■ ■			75% a 100%
■ ■ ■ □			50% a 75%
■ ■ □ □			25% a 50%
■ □ □ □			0% a 25%
▬ □ □ □			Cargar la batería.
■ ■ □ □			La batería pudo haber funcionado mal.
□ □ ■ ■			

**NOTA:** Dependiendo de las condiciones de uso y la temperatura ambiente, la indicación podrá diferir ligeramente de la capacidad real.

## Sistema de protección para la herramienta/batería

La herramienta está equipada con un sistema de protección de la herramienta/batería. Este sistema corta en forma automática el suministro de energía al motor para prolongar la vida útil de la herramienta y la batería. La herramienta se detendrá automáticamente durante la operación si la herramienta o la batería se someten a una de las siguientes condiciones:

Estado	Luces indicadoras		
	■ Encendido	□ Apagado	▣ Parpadeando
Sobrecarga		<b>3</b>  <b>2</b>  <b>1</b> 	
Sobrecalentamiento	<b>3</b>  <b>2</b>  <b>1</b> 	<b>3</b>  <b>2</b>  <b>1</b> 	
Sobredescarga		<b>3</b>  <b>2</b>  <b>1</b> 	

## Protección contra sobrecarga

Si la herramienta se sobrecarga al enredarse ramas u otros residuos, los indicadores para "2" y "3" comenzarán a parpadear y la herramienta se detendrá automáticamente.

En este caso, apague la herramienta y detenga la aplicación que causó que la herramienta se sobrecargara. Luego encienda la herramienta para volver a ponerla en marcha.

**AVISO:** Dependiendo de las condiciones de uso, la herramienta se apagará automáticamente sin indicación alguna en caso de sobrecargarse si alguna rama o residuo llegara a enredarse. En este caso, apague la herramienta, extraiga el cartucho de batería y luego retire las ramas o residuos usando herramientas tales como pinzas. Después de retirar las ramas o residuos, instale el cartucho de batería y vuelva a encender la herramienta.

## Protección contra el sobrecalentamiento de la herramienta o la batería

Existen dos tipos de sobrecalentamiento: sobrecalentamiento de la herramienta y sobrecalentamiento de la batería. Cuando la herramienta se sobrecaliente, todos los indicadores de velocidad parpadearán. Cuando la batería se sobrecaliente, el indicador para "1" parpadeará.

Cuando ocurra el sobrecalentamiento, la herramienta se detendrá automáticamente. Permita que la herramienta y/o la batería se enfríen antes de volver a encender la herramienta.

## Protección en caso de sobredescarga

Cuando la capacidad de la batería sea baja, la herramienta se detendrá automáticamente y el indicador para "1" parpadeará.

Si la herramienta no funciona aun con los interruptores activados, retire la batería de la herramienta y cárguela.

## Accionamiento del interruptor de encendido

**⚠ADVERTENCIA:** Por su seguridad, esta herramienta está equipada con una palanca para evitar que la herramienta se ponga en marcha accidentalmente. **NUNCA** use la herramienta si se pone en marcha simplemente al jalar el gatillo interruptor sin haber presionado la palanca. Lleve la herramienta a nuestro centro de servicio autorizado para una reparación adecuada **ANTES** de seguir usándola.

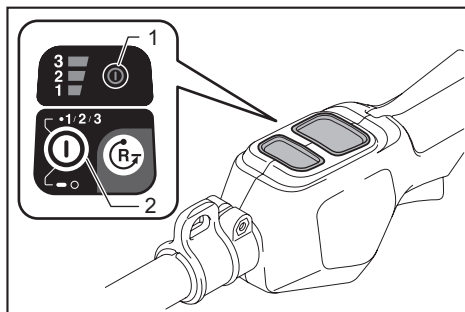
**⚠ADVERTENCIA:** **NUNCA** tape con cinta ni anule el propósito y función de la palanca.

**⚠ADVERTENCIA:** Antes de instalar el cartucho de batería en la herramienta, verifique siempre que el gatillo interruptor y la palanca se accionen debidamente y que regresen a la posición de apagado una vez que se suelten. Usar una herramienta con un interruptor que no funcione adecuadamente puede provocar la pérdida del control y ocasionar lesiones personales graves.

**⚠PRECAUCIÓN:** Nunca coloque su dedo en el interruptor cuando transporte la herramienta. La herramienta podría ponerse en marcha accidentalmente y ocasionar una lesión.

**AVISO:** No jale fuerte el gatillo interruptor sin presionar la palanca. Esto puede causar rotura del interruptor.

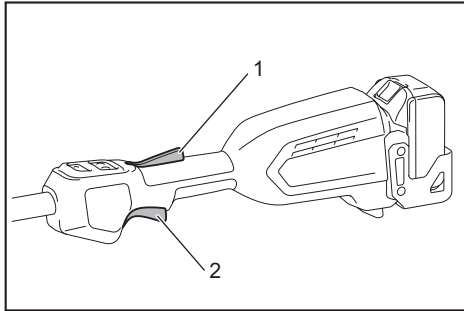
Oprima el botón de encendido principal para encender la herramienta. La luz de alimentación se encenderá una vez que la herramienta se haya encendido. Para apagar la herramienta, mantenga oprimido el botón de encendido principal. La luz de alimentación se apagará una vez que la herramienta se haya apagado.



► 1. Luz de alimentación 2. Botón de encendido principal

**NOTA:** La herramienta se apagará automáticamente si no es operada durante cierto período de tiempo.

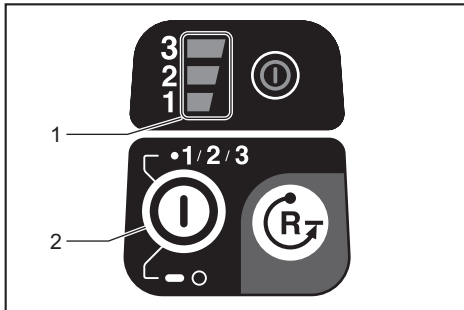
Para evitar que el gatillo interruptor sea jalado accidentalmente, se proporciona una palanca. Para arrancar la herramienta, jale el gatillo interruptor mientras oprime la palanca. Suelte el gatillo interruptor para parar la herramienta.



► 1. Palanca 2. Gatillo interruptor

## Ajuste de velocidad

Puede ajustar la velocidad de la herramienta al oprimir el botón de encendido principal. Cada vez que oprima el botón de encendido principal, el nivel de velocidad cambiará.



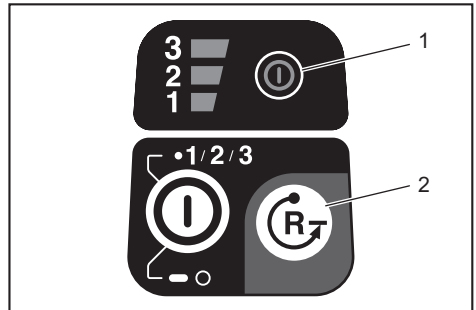
► 1. Indicador de velocidad 2. Botón de encendido principal

Indicador	Modo	Velocidad de carrera
	Alto	4 400 cpm
	Medio	3 600 cpm
	Bajo	2 000 cpm

## Botón de inversión para la eliminación de residuos

**⚠ADVERTENCIA:** Si las ramas o residuos enredados no pueden ser retirados con la función inversa, apague la herramienta, extraiga el cartucho de batería y luego retire las ramas o residuos usando herramientas tales como pinzas. El no apagar la herramienta y extraer el cartucho de batería podría ocasionar lesiones personales graves a causa de una puesta en marcha accidental. El retirar las ramas o residuos con la mano podría ocasionar una lesión, debido a que las cuchillas de cizalla pueden moverse al intentar retirarlas.

Esta herramienta cuenta con un botón de inversión para cambiar la dirección del movimiento de las cuchillas de cizalla. Su única función es la de eliminar las ramas y residuos enredados en la herramienta. Para invertir el movimiento de las cuchillas de cizalla, oprima el botón de inversión una vez que las cuchillas de cizalla se hayan detenido, y luego jale el gatillo interruptor mientras presiona la palanca. La luz de alimentación comenzará a parpadear y las cuchillas de cizalla se moverán en la dirección opuesta. Una vez que las ramas y residuos enredados se hayan retirado, la herramienta regresará a su movimiento normal y la luz de alimentación dejará de parpadear y se encenderá.



► 1. Luz de alimentación 2. Botón de inversión

**NOTA:** Si las ramas o residuos enredados no pueden ser retirados, suelte el gatillo interruptor y luego oprima el botón de inversión, después jale el gatillo interruptor hasta que sean retirados.

**NOTA:** Si pulsa el botón de inversión mientras las cuchillas de cizalla están moviéndose, la herramienta se detendrá y se preparará para el movimiento inverso.

## Ajuste del ángulo de corte

**⚠PRECAUCIÓN:** Asegúrese siempre de que la herramienta esté apagada antes de plegar o desplegar la cabeza.

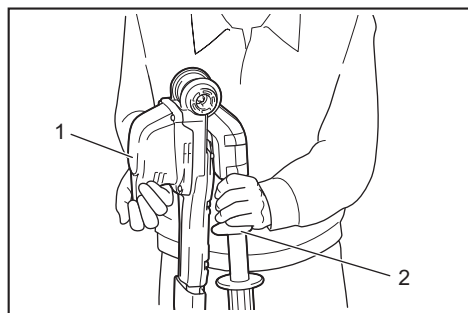
**⚠PRECAUCIÓN:** Al plegar la cabeza para transportar la herramienta o después de usarla, asegúrese de colocar la cubierta de las cuchillas antes de plegar la cabeza.

**⚠PRECAUCIÓN:** Cuando se pliegue la cabeza, tenga cuidado de no pillarse los dedos entre la cabeza y el manguito de deslizamiento.

### Para el modelo XNU01

El ángulo de la cabeza puede ajustarse en 6 pasos. Para cambiar el ángulo de la cabeza, siga los pasos a continuación.

1. Sostenga la cabeza y el manguito de deslizamiento, tal como se muestra en la ilustración.



► 1. Cabeza 2. Manguito de deslizamiento

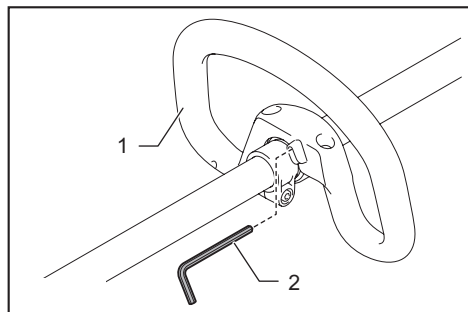
2. Mueva la cabeza mientras presiona hacia abajo el manguito de deslizamiento, y libere entonces el manguito de deslizamiento.
3. Mueva la cabeza un poco hasta que quede bloqueada con un clic.

**NOTA:** Asegúrese de que la cabeza está bien asegurada antes de operar la herramienta.

## Almacenamiento de la llave Allen (hexagonal)

### Para el modelo XNU02

Cuando no se utilice, guarde la llave hexagonal en su lugar tal como se muestra en la ilustración para evitar que se pierda.



► 1. Mango 2. Llave hexagonal

## Freno eléctrico

La herramienta está equipada con un freno eléctrico. Si la herramienta falla constantemente en detenerse tras soltar el gatillo interruptor, lleve la herramienta a mantenimiento a un centro de servicio Makita.

## MONTAJE

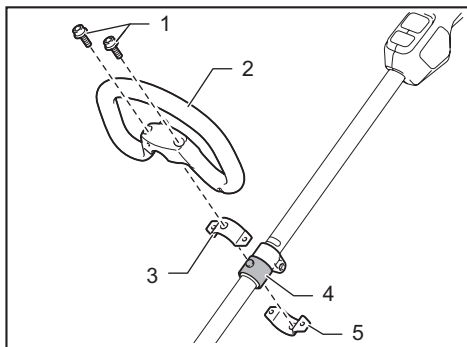
**⚠PRECAUCIÓN:** Asegúrese siempre de que la herramienta esté apagada y el cartucho de batería haya sido extraído antes de realizar cualquier trabajo en la misma.

**⚠PRECAUCIÓN:** Siempre utilice guantes al reemplazar las cuchillas de cizalla de manera que sus manos no hagan contacto directo con las cuchillas.

## Instalación del mango

### Para el modelo XNU02

1. Coloque las abrazaderas superior e inferior en el amortiguador.
2. Ponga el mango en la abrazadera superior y asegúrelo con los pernos, como se muestra en la ilustración.



► 1. Perno 2. Mango 3. Abrazadera superior 4. Amortiguador 5. Abrazadera inferior

## Instalación o extracción de las cuchillas de cizalla

**⚠PRECAUCIÓN:** Coloque la cubierta de las cuchillas antes de extraer o instalar las cuchillas de cizalla.

**AVISO:** Cuando reemplace las cuchillas de cizalla no elimine la grasa del engranaje y de la manivela.

### AVISO:

Para el modelo XNU01

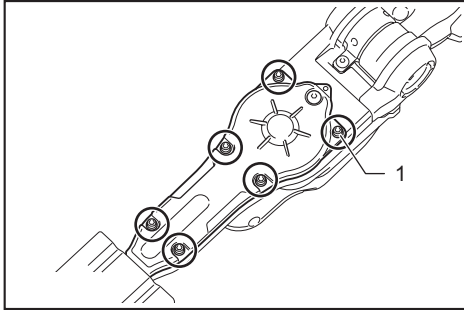
No instale cuchillas de cizalla de 600 mm (23-5/8") en su herramienta. Si se instalan las cuchillas de cizalla de 600 mm (23-5/8"), no podrá plegar la cabeza de la herramienta.

**NOTA:**

**Para el modelo XNU01**

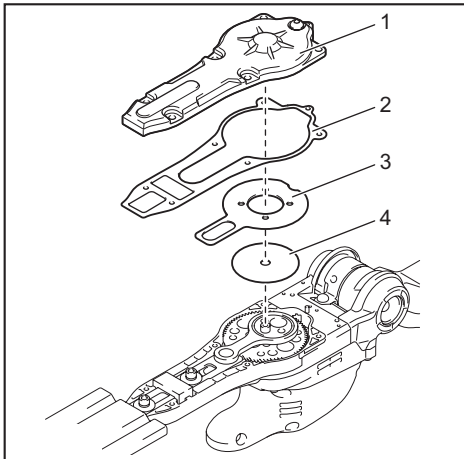
Antes de instalar o quitar las cuchillas de cizalla, despliegue la cabeza de la herramienta de manera que la cabeza quede recta al cuerpo de la herramienta.

1. Coloque la herramienta de cabeza y luego retire los 6 pernos.



1. Perno

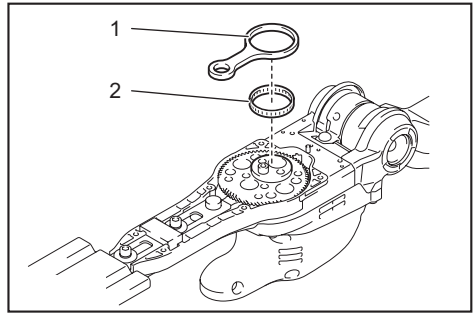
2. Extraiga la cubierta, el empaque, la placa A y la placa B.



1. Cubierta 2. Empaque 3. Placa A 4. Placa B

**NOTA:** El empaque o las placas pueden permanecer en la cubierta.

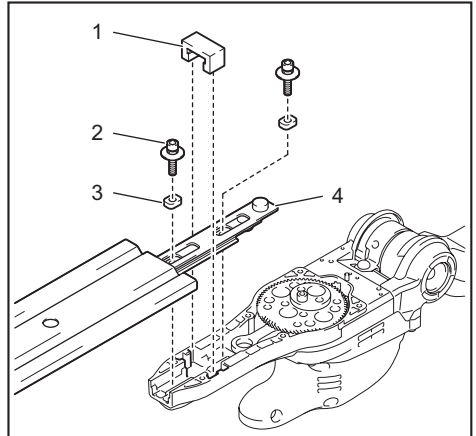
3. Extraiga la barra y el rodamiento.



1. Barra 2. Rodamiento

**NOTA:** La barra o rodamiento pueden permanecer en la cubierta.

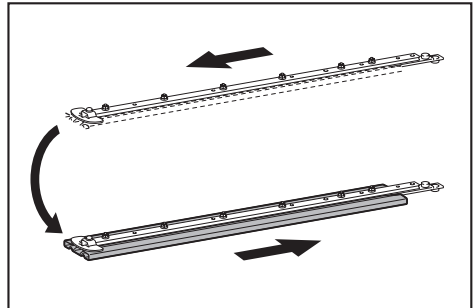
4. Retire 2 pernos, 2 manguitos y la almohadilla de filtro, y luego extraiga las cuchillas de cizalla.



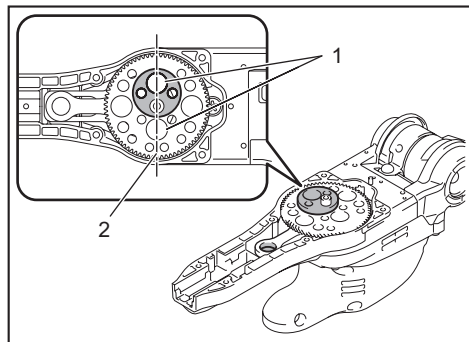
1. Almohadilla de filtro 2. Perno 3. Manguito 4. Cuchillas de cizalla

**AVISO:** Tenga cuidado de no perder los pernos.

5. Retire la cubierta de las cuchillas y luego colóquela en las nuevas cuchillas de cizalla.

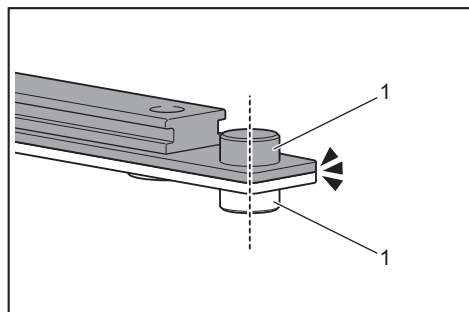


6. Ajuste la manivela de manera que los 2 orificios queden alineados en la línea de alineación.



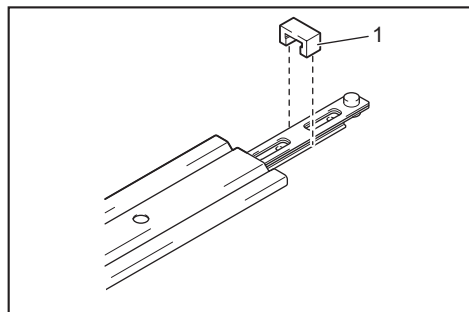
- 1. Orificio 2. Línea de alineación

7. Alinee las protuberancias en las cuchillas de cizalla verticalmente en la misma posición.



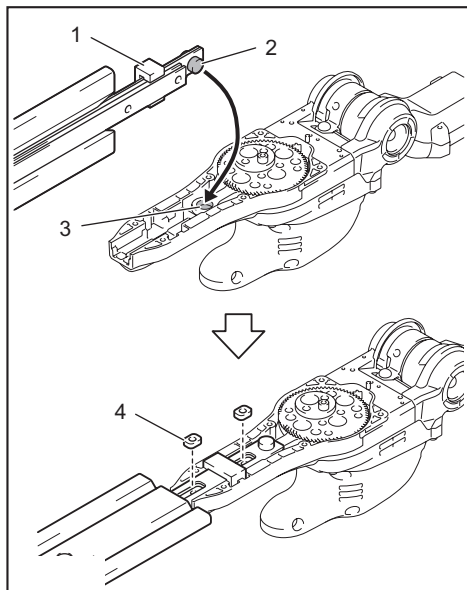
- 1. Protuberancia

8. Coloque la almohadilla de fieltro en las cuchillas de cizalla.



- 1. Almohadilla de fieltro

9. Inserte la protuberancia en las cuchillas de cizalla en el orificio de la barra, luego alinee la posición de la almohadilla de fieltro con los orificios en la herramienta, y después coloque los manguitos.

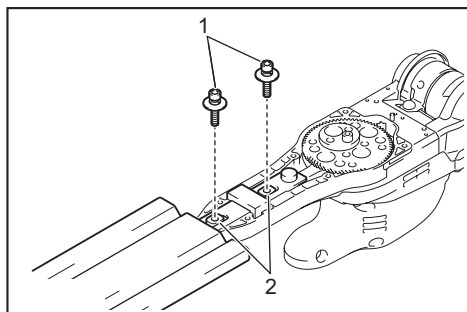


- 1. Almohadilla de fieltro 2. Protuberancia 3. Orificio 4. Manguito

**AVISO:** Aplique una pequeña cantidad de grasa a la periferia interior del orificio de la barra.

**AVISO:** Tenga cuidado de no perder los manguitos.

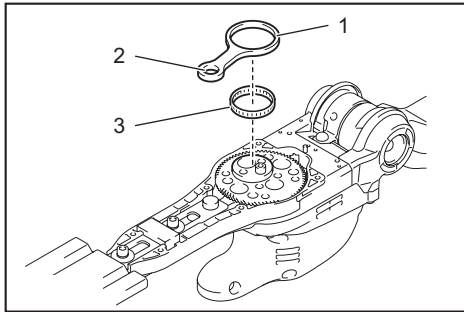
10. Alinee los orificios en los manguitos y las cuchillas de cizalla con los orificios en la herramienta, y luego apriete los 2 pernos para fijar las cuchillas de cizalla.



- 1. Perno 2. Orificio



11. Coloque el rodamiento y la barra.

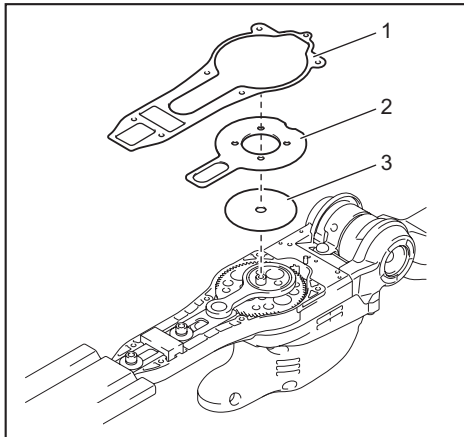


► 1. Barra 2. Orificio pequeño 3. Rodamiento

**AVISO:** Aplique una pequeña cantidad de grasa a la periferia interior del orificio pequeño de la barra.

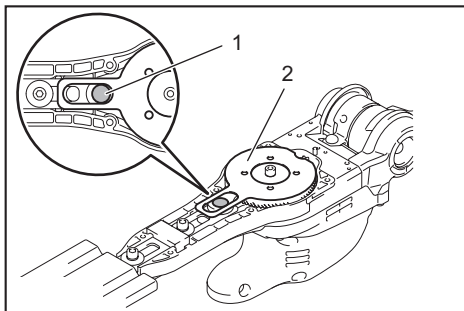
**AVISO:** Asegúrese de que la protuberancia en las cuchillas de cizalla encaje en el orificio pequeño de la barra.

12. Fije la placa B, la placa A y el empaque.



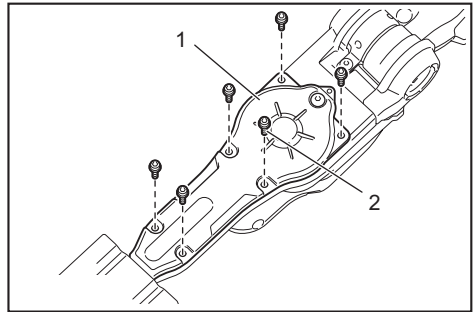
► 1. Empaque 2. Placa B 3. Placa A

13. Alinee el orificio en la placa con la protuberancia en las cuchillas de cizalla, para que la protuberancia encaje en el orificio.



► 1. Protuberancia 2. Placa

14. Coloque la cubierta y luego apriete los 6 pernos.



► 1. Cubierta 2. Perno

**AVISO:** Si las cuchillas de cizalla no se mueven con suavidad, es porque estas no están correctamente embonadas en las barras. Vuelva a instalar las cuchillas de cizalla.

**AVISO:** Si aparte de las cuchillas de cizalla otras piezas, tales como las barras, muestran signos de desgaste, solicite su reparación o reemplazo a los centros de servicio autorizados Makita.

## OPERACIÓN

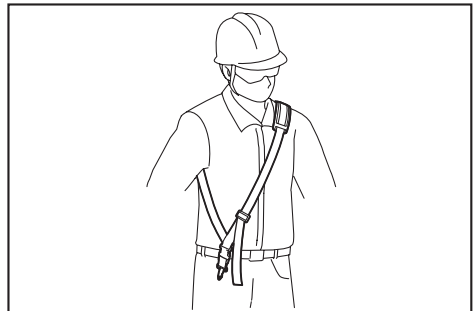
### Instalación del arnés para hombro

*Accesorio opcional para el modelo XNU01*

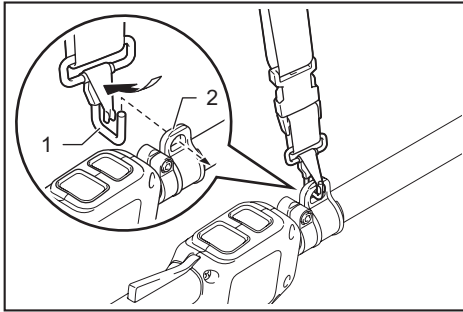
**⚠PRECAUCIÓN:** Antes de la operación, asegúrese de que el arnés para hombro esté colocado correctamente al colgador en la herramienta.

**NOTA:** Use el arnés para hombro colocado en la herramienta. Antes de la operación, ajuste el arnés para hombro de acuerdo al tamaño del usuario para evitar la fatiga.

1. Colóquese el arnés para hombro en su hombro.

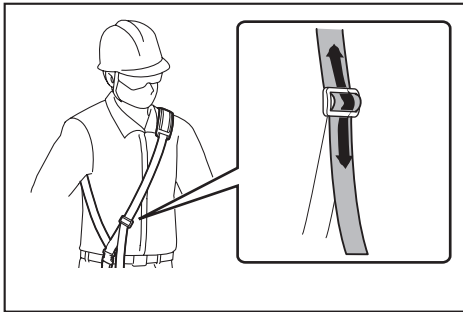


2. Abroche el gancho en el arnés para hombro en el colgador de la herramienta.



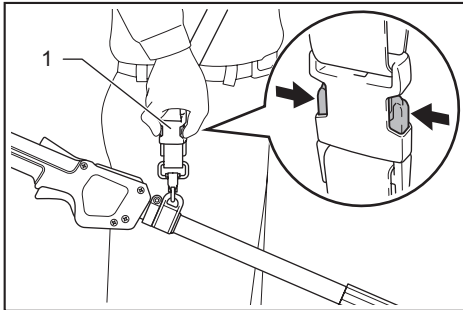
► 1. Gancho 2. Colgador

3. Ajuste el arnés para hombro en una posición cómoda para trabajar.



El arnés para hombro cuenta con un medio de liberación rápida.

Simplemente apriete los lados de la hebilla para liberar la herramienta del arnés para hombro.



► 1. Hebilla

## Operación de la herramienta

**⚠ADVERTENCIA:** No utilice la herramienta cerca de ningún cable eléctrico. El contacto con cables eléctricos o su uso cerca de ellos puede causar lesiones graves o descargas eléctricas, que pueden causar la muerte.

**⚠ADVERTENCIA:** Mantenga las manos alejadas de las cuchillas de cizalla.

**⚠ADVERTENCIA:** Sea extremadamente cuidadoso en mantener el control de la herramienta en todo momento. No permita que la herramienta se desvía hacia usted ni hacia otra persona alrededor. El no mantener el control de la herramienta podría ocasionar lesiones graves a las personas alrededor y al operador.

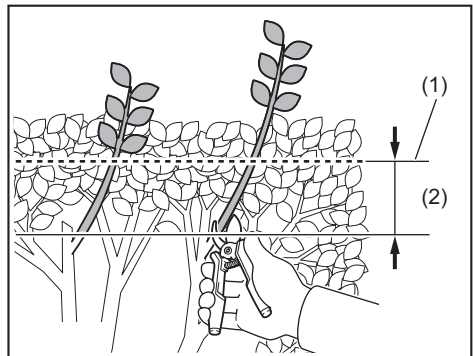
**⚠PRECAUCIÓN:** Si es posible, evite utilizar la herramienta cuando haga demasiado calor. Durante la operación de la herramienta, vigile su condición física.

**⚠PRECAUCIÓN:** Tenga cuidado de no tocar accidentalmente una cerca de metal u otros objetos duros durante el podado. Las cuchillas de cizalla podrían romperse y ocasionar una lesión.

**⚠PRECAUCIÓN:** Tenga cuidado de no permitir que las cuchillas de cizalla hagan contacto con el suelo. La herramienta podría retroceder y ocasionar una lesión.

**⚠PRECAUCIÓN:** Trabajar con el cortasetos en un lugar donde no alcance, particularmente desde una escalera, es extremadamente peligroso. No trabaje mientras esté parado sobre una superficie tambaleante o poco firme.

**AVISO:** No intente usar la herramienta para cortar ramas con un diámetro mayor a 10 mm (3/8"). Corte las ramas a 10 cm (4") menos que la altura de corte usando algún cortador de ramas antes de usar la herramienta.



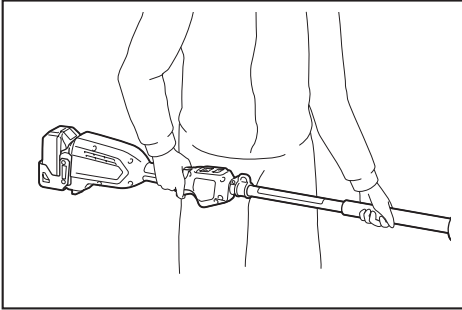
► (1) Altura de corte (2) 10 cm (4")

**AVISO: No corte árboles muertos ni otros objetos duros similares.** El hacerlo podría dañar la herramienta.

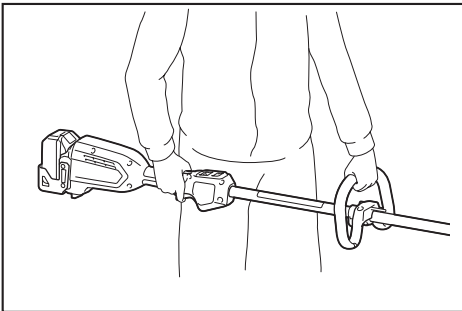
**AVISO: No pade hierba ni maleza mientras esté usando las cuchillas de cizalla.** Las cuchillas de cizalla podrían quedar atrapadas en la hierba o maleza.

Sujete la herramienta con ambas manos.

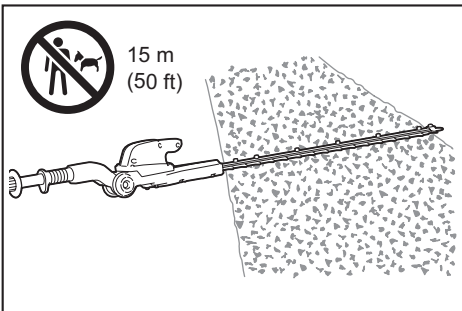
Para el modelo XNU01



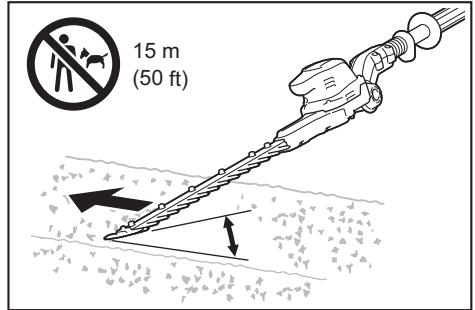
Para el modelo XNU02



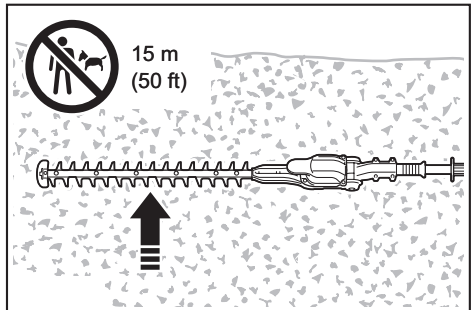
Jale el gatillo interruptor mientras oprime la palanca y luego desplace la herramienta hacia adelante.



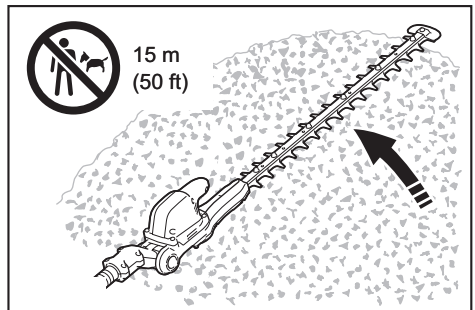
Para la operación básica, incline las cuchillas de cizalla hacia la dirección del podado y desplácelas lentamente y con calma a un ritmo de velocidad de 3 a 4 segundos por metro.



Para cortar la parte lateral de un seto de manera uniforme, corte de abajo hacia arriba.



Cuando desee hacer formas redondas al podar (podar setos de boj o rododendro, etc.), corte de la raíz a la parte superior para lograr un resultado excelente.



# MANTENIMIENTO

**⚠️ PRECAUCIÓN:** Asegúrese siempre de que la herramienta esté apagada y el cartucho de batería extraído antes de intentar realizar una inspección o mantenimiento.

**⚠️ PRECAUCIÓN:** Cuando inspeccione o dé mantenimiento a la herramienta, deje siempre la herramienta en el suelo. El ensamble o ajuste de la herramienta en una posición vertical podría ocasionar lesiones graves.

Para mantener la SEGURIDAD y FIABILIDAD del producto, las reparaciones, y cualquier otra tarea de mantenimiento o ajuste deberán ser realizadas en centros de servicio autorizados o de fábrica Makita, empleando siempre repuestos Makita.

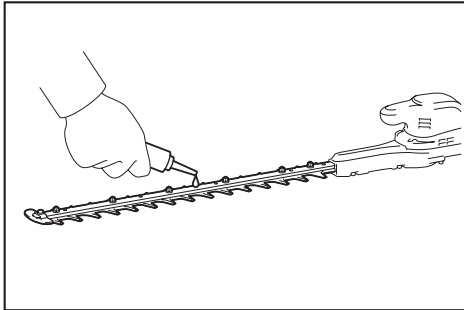
## Limpeza de la herramienta

Quite el polvo de la herramienta con un paño seco o humedezca un paño en agua y jabón y exprímalo para limpiarla.

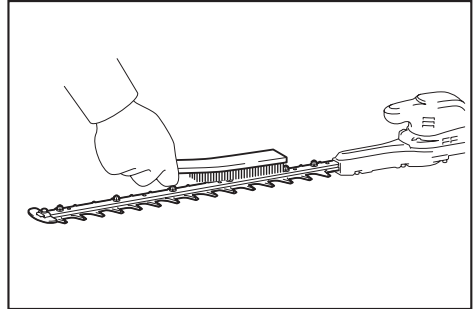
**AVISO:** Nunca use gasolina, bencina, diluyente (tíner), alcohol o sustancias similares. Puede que esto ocasione grietas o descoloramiento.

## Mantenimiento de las cuchillas de cizalla

Antes de la operación o una vez por hora durante la operación, aplique aceite de baja viscosidad (aceite para máquinas o aceite lubricante en aerosol) a las cuchillas de cizalla.



Después de la operación, elimine el polvo en ambos lados de las cuchillas de cizalla con un cepillo de alambre, limpie con un paño y luego aplique aceite de baja viscosidad (aceite para máquinas o aceite lubricante en aerosol) a las cuchillas de cizalla.



**AVISO:** No lave las cuchillas de cizalla con agua. Esto podría ocasionar oxidación o daños a la herramienta.

**AVISO:** La suciedad y la corrosión causan una fricción excesiva de las cuchillas y acorta el tiempo de operación en cada carga de batería.

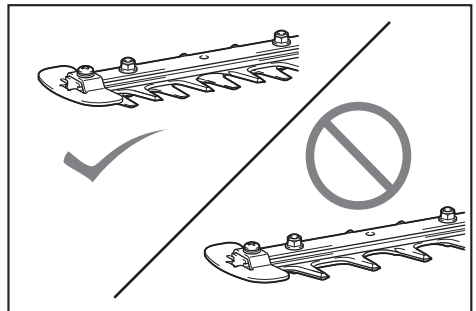
## Almacenamiento

Coloque la cubierta de las cuchillas de cizalla de manera que las cuchillas no queden expuestas. Almacene la herramienta fuera del alcance de los niños. Almacene la herramienta en un lugar que no esté expuesto a la humedad o la lluvia.

## Afilado de las cuchillas de cizalla

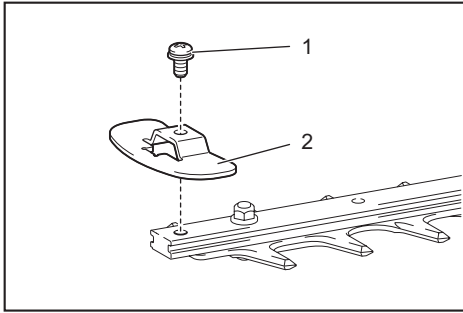
**AVISO:** Si las cuchillas de cizalla se encuentran considerablemente desgastadas a causa del afilado, reemplácelas con unas nuevas.

1. Instale el cartucho de batería en la herramienta.
2. Encienda y ponga en marcha la herramienta de manera que las cuchillas superior e inferior estén posicionadas alternativamente.



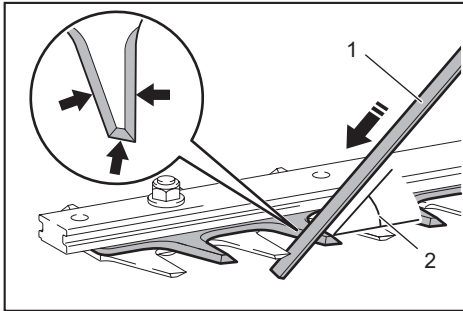
3. Apague la herramienta y retire el cartucho de batería.

4. Retire el tornillo y luego extraiga el receptáculo de ramas.



- 1. Tornillo 2. Receptáculo de ramas

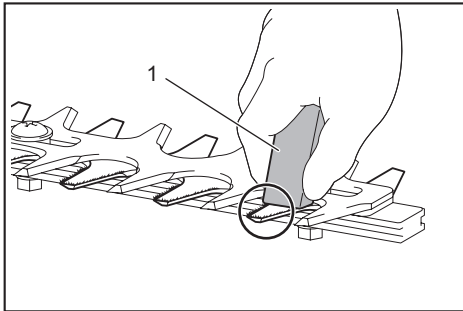
5. Ajuste el ángulo de la lima a 45°, y afile la cuchilla superior desde 3 direcciones con la lima.



- (1) Lima (2) 45°

**⚠PRECAUCIÓN:** Antes de afilar las cuchillas de cizalla, asegúrese de que la herramienta esté apagada y que el cartucho de batería haya sido extraído de la herramienta.

6. Coloque la herramienta de cabeza y luego retire las rebabas de las cuchillas de cizalla con la lima.



- 1. Lima

7. Ajuste el ángulo de la lima a 45°, y afile la cuchilla inferior desde 3 direcciones con la lima.

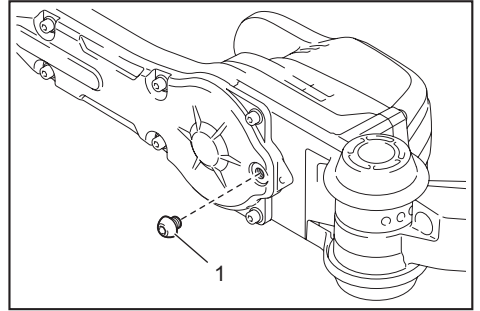
8. Regrese la herramienta a la posición normal y luego retire las rebabas de las cuchillas de cizalla con la lima.

9. Fije el receptáculo de ramas apretando el tornillo.

## Lubricación con grasa

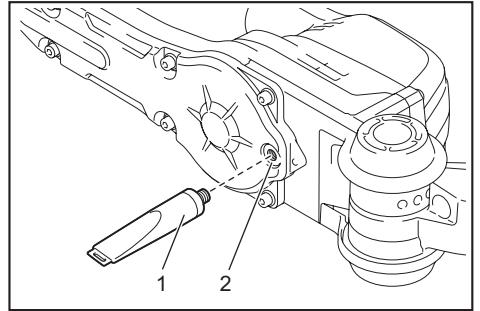
**Intervalo de lubricación:** Cada 25 horas de operación

1. Extraiga el perno del orificio para lubricarlo.



- 1. Perno

2. Retire la tapa del recipiente para grasa. Alinee la salida del recipiente para grasa con el orificio en la cubierta y luego oprima la salida del recipiente para grasa en el orificio.



- 1. Recipiente para grasa 2. Orificio

3. Aplique la grasa a la herramienta (aproximadamente 5 g (0,2 oz) como referencia).

4. Apriete el perno.

# RESOLUCIÓN DE PROBLEMAS

Antes de solicitar alguna reparación, primero realice una inspección por su cuenta. Si detecta algún problema que no esté explicado en el manual, no intente desensamblar la herramienta. En vez de esto, solicite la reparación a un centro de servicio autorizado de Makita, usando siempre piezas de repuesto Makita.

Estado de la anomalía	Causa probable (avería)	Remedio
El motor no funciona.	El cartucho de batería no está instalado.	Instale el cartucho de batería.
	Problema con la batería (bajo voltaje)	Recargue la batería. Si la recarga no es efectiva, reemplace la batería.
	El sistema de accionamiento no funciona correctamente.	Solicite la reparación en el centro de servicio autorizado de su localidad.
El motor deja de funcionar después de un rato de uso.	El nivel de carga de la batería es bajo.	Recargue la batería. Si la recarga no es efectiva, reemplace la batería.
	Sobrecalentamiento.	Deje de usar la herramienta para permitir que se enfríe.
La herramienta no alcanza el nivel máximo de RPM.	La batería está mal instalada.	Instale el cartucho de batería como se describe en este manual.
	La potencia de la batería se está reduciendo.	Recargue la batería. Si la recarga no es efectiva, reemplace la batería.
	El sistema de accionamiento no funciona correctamente.	Solicite la reparación en el centro de servicio autorizado de su localidad.
Las cuchillas de cizalla no se mueven: ⇒ ¡Detenga la máquina inmediatamente!	Ángulo inapropiado de las cuchillas de cizalla.	Asegúrese de que la cabeza quede fijada debidamente en el ángulo de operación.
	Quedan atrapados objetos extraños en las cuchillas de cizalla.	1. Utilice el botón de inversión. 2. Apague la herramienta y extraiga el cartucho de batería y luego retire los objetos extraños con herramientas tales como pinzas.
	El sistema de accionamiento no funciona correctamente.	Solicite la reparación en el centro de servicio autorizado de su localidad.
Vibración anormal: ⇒ ¡Detenga la máquina inmediatamente!	Las cuchillas de cizalla están rotas, dobladas o desgastadas.	Reemplace las cuchillas de cizalla.
	El sistema de accionamiento no funciona correctamente.	Solicite la reparación en el centro de servicio autorizado de su localidad.
Las cuchillas de cizalla y el motor no se pueden detener: ⇒ ¡Extraiga la batería inmediatamente!	Avería eléctrica.	Extraiga la batería y solicite la reparación en el centro de servicio autorizado de su localidad.

## ACCESORIOS OPCIONALES

**⚠PRECAUCIÓN:** Estos accesorios o aditamentos están recomendados para utilizarse con su herramienta Makita especificada en este manual. El empleo de cualquier otro accesorio o aditamento puede conllevar el riesgo de lesiones personales. Utilice los accesorios o aditamentos solamente para su fin establecido.

Si necesita cualquier ayuda para más detalles en relación con estos accesorios, pregunte a su centro de servicio local Makita.

- Conjunto de cuchillas de cizalla
- Recipiente para grasa
- Arnés para hombros
- Batería y cargador originales de Makita

**NOTA:** Algunos de los artículos en la lista pueden incluirse en el paquete de la herramienta como accesorios estándar. Éstos pueden variar de país a país.

## GARANTÍA LIMITADA DE MAKITA

### Ésta Garantía no aplica para México

Consulte la hoja de la garantía anexa para ver los términos más vigentes de la garantía aplicable a este producto. En caso de no disponer de esta hoja de garantía anexa, consulte los detalles sobre la garantía descritos en el sitio web de su país respectivo indicado a continuación.

Estados Unidos de América: [www.makitatools.com](http://www.makitatools.com)

Canadá: [www.makita.ca](http://www.makita.ca)

Otros países: [www.makita.com](http://www.makita.com)



**Makita Corporation**  
3-11-8, Sumiyoshi-cho,  
Anjo, Aichi 446-8502 Japan  
[www.makita.com](http://www.makita.com)

885775-947  
XNU01-1  
EN, ESMX  
20191120