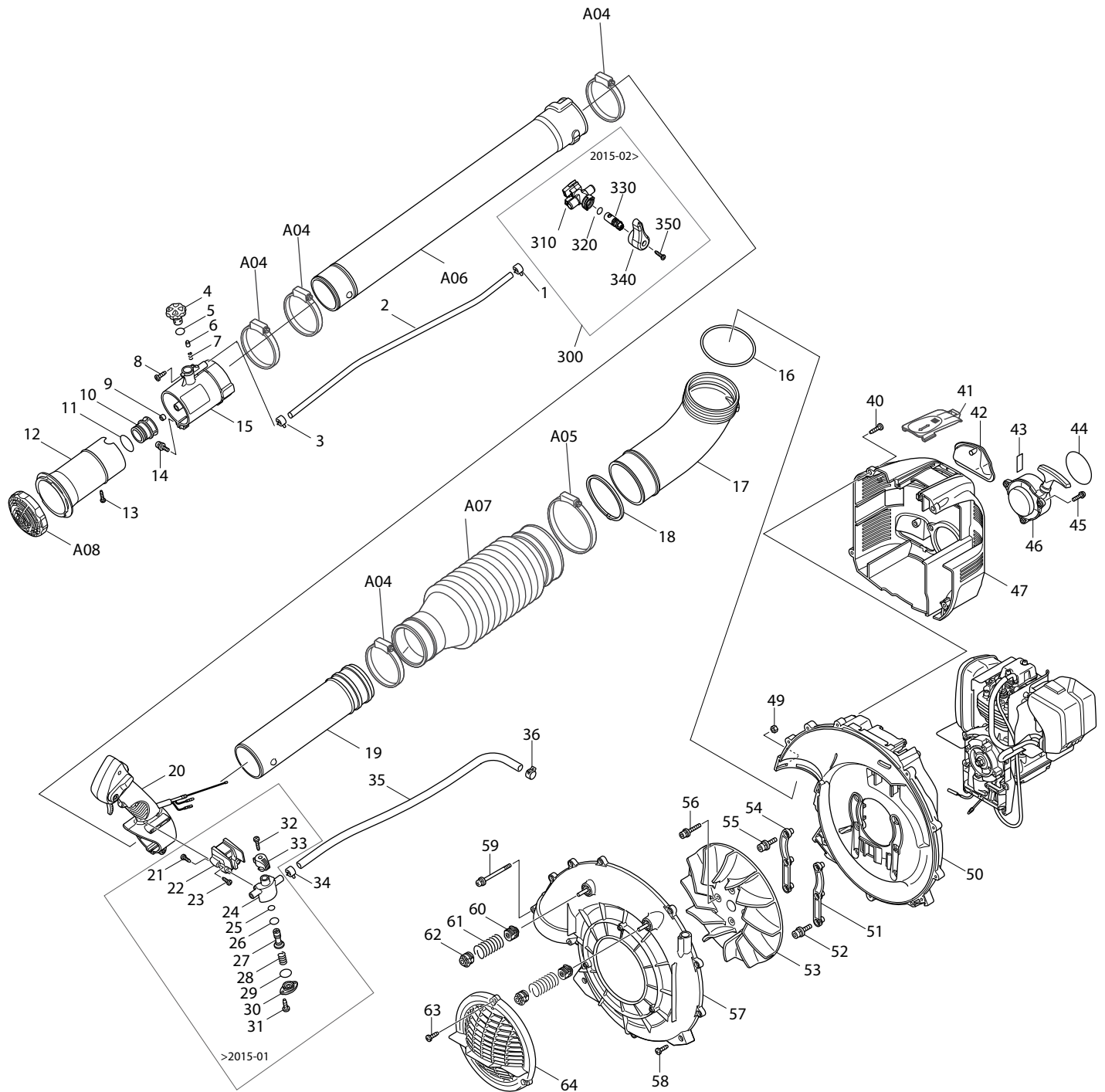




PM7650H



Products with multiple versions are listed in subsiding order with the newest version on top not indented.

Section	Fig. No.	Part No.	Description	PM7650H	Tech Bulletin	Notes
1	1	282023-2	HOSE CLAMP 14	1		
1	2	412108-2	TUBE 10-300, PM7650H	1		2015-02>
1	2	412109-0	TUBE 10-500	1		>2015-01
1	3	282023-2	HOSE CLAMP 14	1		
1	4	453505-3	NOZZLE CAP	1		
1	5	213686-3	O-RING 12	1		
1	6	268288-0	PIN 5.5	1		
1	7	234244-2	COMPRESSION SPRING 3	1		
1	8	266007-8	TAPPING SCREW BIND PT 3X10	1		
1	9	326198-8	NOZZLE 4.5	1		
1	10	453599-8	SLEEVE 25	1		
1	11	213437-4	O RING 28	1		
1	12	453986-1	TOP ADAPTER	1		
1	13	266045-0	TAPPING SCREW 4X20	1		
1	14	911228-4	PAN HEAD SCREW M5X18	1		
1	15	141921-8	NOZZLE ADAPTER COMPLETE	1		
1	16	213645-7	O RING 93	1		
1	17	412116-3	ELBOW	1		
1	18	453714-4	WIRE BAND	1		
1	19	168746-5	SWIVEL PIPE COMPLETE	1		
1	20	198218-6	CONTROL LEVER ASSEMBLY	1		
1	20	197095-3	CONTROL LEVER ASSEMBLY	1		
1	20	126137-6	CONTROL LEVER ASSEMBLY	1		
1	21	266192-7	TAPPING SCREW 4X14	2		
1	22	141522-2	BODY HOLDER COMPLETE	1		
1	23	266192-7	TAPPING SCREW 4X14	2		
1	24	123981-2	VALVE ASS'Y, PM7650H	1	A8121	
1	24	126580-9	VALVE ASS'Y, PM7650H	1		
1	24	453508-7	VALVE BODY	1		
1	25	213647-3	O-RING 9	1		
1	26	213686-3	O-RING 12	1		
1	27	453510-0	VALVE ROD	1		
1	28	234245-0	COMPRESSION SPRING 12	1	A8121	USE 123981-2
1	29	213649-9	O-RING 18	1		

Products with multiple versions are listed in subsiding order with the newest version on top not indented.

Section	Fig. No.	Part No.	Description	PM7650H	Tech Bulletin	Notes
1	30	453509-5	BODY COVER	1		
1	31	266192-7	TAPPING SCREW 4X14	2		
1	32	266130-9	HOSE CLAMP 14	1		
1	33	453511-8	PUSH BUTTON	1		
1	34	282023-2	TAPPING SCREW BIND PT 3X16	1		
1	35	412110-5	TUBE 10-750	1		
1	36	282023-2	HOSE CLAMP 14	1		
1	40	266420-0	TAPPING SCREW 5X20	4		
1	41	450964-2	PLUG COVER	1		
1	42	424504-2	OIL GUARD	1		
1	45	911233-1	PAN HEAD SCREW M5X20	3		
1	46	126165-1	RECOIL	1	INC. 187-190,193-196,261-262	
1	47	141521-4	ENGINE COVER COMPLETE	1		
1	49	931202-6	HEX. NUT M5	2		
1	50	453558-2	VOLUTE CASE 2	1		
1	51	318891-8	BASE R	1		
1	52	922353-6	HEX.SOCKET HEAD BOLT M6X30	3		
1	53	240138-1	IMPELLER	1		
1	54	318890-0	BASE L	1		
1	55	922353-6	HEX.SOCKET HEAD BOLT M6X30	3		
1	56	266828-8	H.S.H.BOLT M6X40 WITH WR	4		
1	57	454669-6	VOLUTE CASE 1	1		
1	58	266420-0	TAPPING SCREW 5X20	9		
1	59	911288-6	PAN HEAD SCREW M5X65	2		
1	60	453561-3	TANK HOLDER	2		
1	61	234247-6	COMPRESSION SPRING 20	2		
1	62	453561-3	TANK HOLDER	2		
1	63	266420-0	TAPPING SCREW 5X20	3		
1	64	454670-1	FAN GUARD	1		
1	300	123981-2	VALVE, PM7650H	1		2016-09>
1	300	126580-9	VALVE, PM7650H	1		2015-02>
1	310	455656-8	VALVE BODY, PM7650H	1		2015-02>
1	320	213647-3	O-RING 9, PM7650H	1		2015-02>
1	330	457674-2	VALVE, PM7650H	1	B9540	2016-09>
1	330	455655-0	VALVE, PM7650H	1	B5940	USE 123981-2 2015-02>

Products with multiple versions are listed in subsiding order with the newest version on top not indented.

Section	Fig. No.	Part No.	Description	PM7650H	Tech Bulletin	Notes
1	340	123981-2	VALVE ASSY, PM7650H	1		
1	340	457675-0	VALVE LEVER, PM7650H	1	B5940	2016-09>
1	340	455657-6	VALVE LEVER, PM7650H	1	B5940	USE 123981-2 2015-02>
1	350	266326-2	TAPPING SCREW PT 4X18, 5007MG	1		2015-02>
1	A04	056-17699-90	HOSE CLAMP 76	3		
1	A05	282025-8	HOSE CLAMP 100	1		
1	A06	453700-5	STRAIGHT PIPE 380	1		
1	A07	412115-5	FLEXIBLE PIPE	1		
1	A08	453506-1	DIFFUSION COVER	1		
1	A10	196499-6	NOZZLE SET	1		NOT PICTURED

Products with multiple versions are listed in subsiding order with the newest version on top not indented.

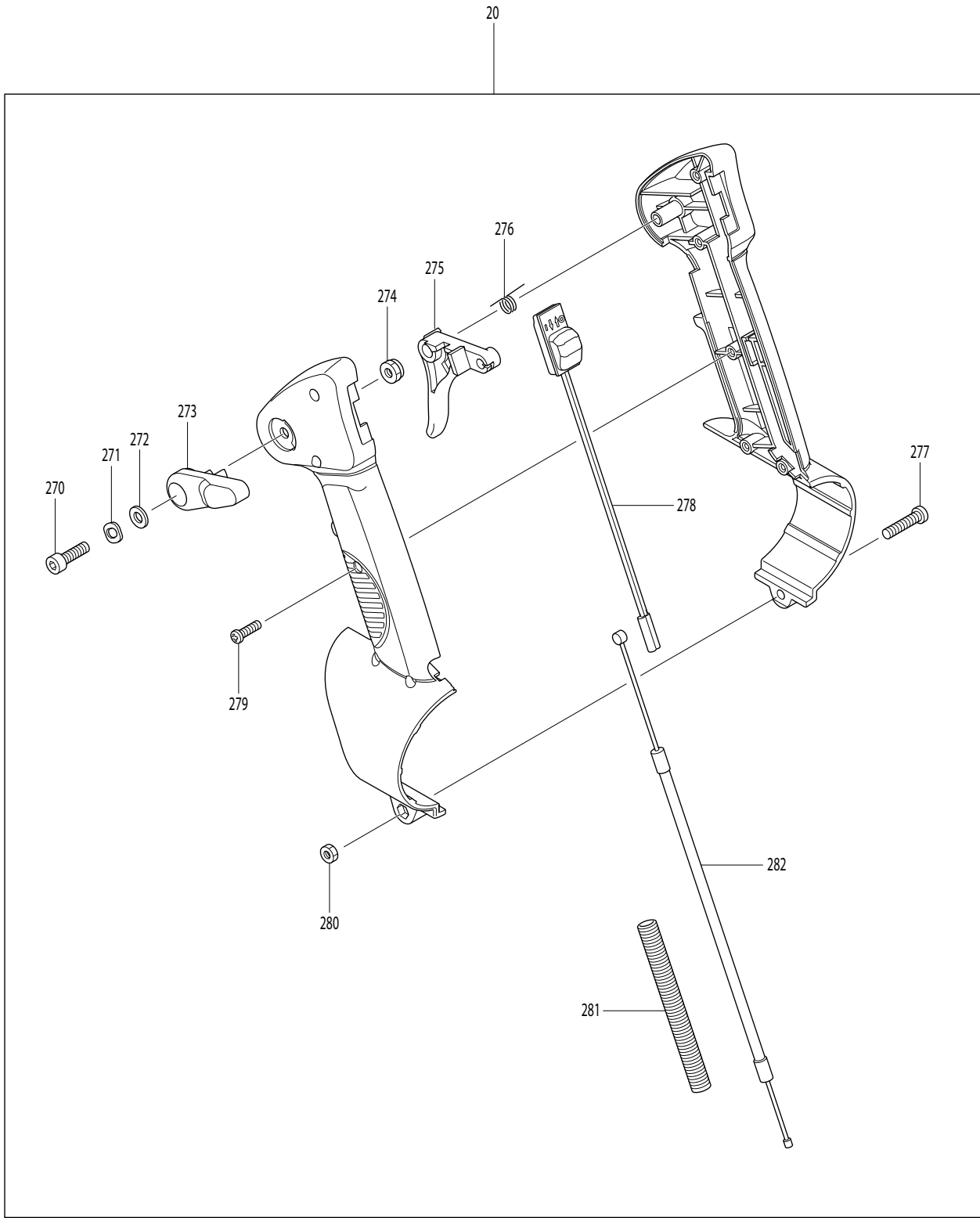
Section	Fig. No.	Part No.	Description	PM7650H	Tech Bulletin	Notes
2	27	168396-6	BREATHER	1		
2	28	424505-0	GROMMET	1		
2	29	422125-4	FUEL TUBE	1		
2	30	412114-7	FUEL TUBE	1		
2	34	282023-2	HOSE CLAMP	1		
2	35	412109-0	TUBE	1		
2	36	282023-2	HOSE CLAMP	1		
2	37	453616-4	CAP HOSE	1		
2	38	424760-4	BLIND PACKING	1		
2	38	423434-4	BLIND PACKING	1		
2	39	453559-0	JOINT STRAINER	1		
2	65	141764-8	TANK CAP COMPLETE	1		
2	67	455784-9	TANK STRAINER	1		
2	67	453493-4	TANK STRAINER	1		
2	68	961011-9	STOP RING E-4	4		
2	69	161510-3	BAND R	1		
2	69	166121-9	BAND R	1		
2	70	161509-8	BAND L	1		
2	70	166120-1	BAND L	1		
2	71	911353-1	PAN HEAD SCREW M6X30	2		
2	72	253804-1	FLAT WASHER 6	2		
2	73	911213-7	PAN HEAD SCREW M5X12	5		
2	74	161566-6	CUSHION	1		
2	74	166144-7	CUSHION	1		
2	74	166107-3	CUSHION	1		
2	75	911353-1	PAN HEAD SCREW M6X30	4		
2	76	424760-4	BLIND PACKING	1		
2	76	423434-4	BLIND PACKING	1		
2	77	453615-6	CAP	1		
2	78	266767-2	PAN HEAD SCREW M5X12	2		
2	79	453496-8	MIXING BODY LOWER	1		
2	80	424492-3	CHECK VALVE	1		
2	81	267462-7	FLAT WASHER 10	1		
2	82	453495-0	MIXING BODY UPPER	1		

Products with multiple versions are listed in subsiding order with the newest version on top not indented.

Section	Fig. No.	Part No.	Description	PM7650H	Tech Bulletin	Notes
2	83	282023-2	HOSE CLAMP 14	1		
2	84	412109-0	TUBE 10-500	1		
2	85	282023-2	HOSE CLAMP 14	1		
2	86	143247-4	TANK COMPLETE	1		
2	86	142900-9	TANK COMPLETE	1		
2	86	898345-6	CATUION LABEL	1		
2	87	424503-4	GROMET	1		
2	88	454683-2	JOINT 1	1		
2	89	282023-2	HOSE CLAMP 14	1		
2	90	253874-0	FLAT WASHER 4	1		
2	91	265995-6	TAPPING SCREW 4X18	1		
2	92	453498-4	PRESSURE PIPE	1		
2	93	282023-2	HOSE CLAMP 14	1		
2	94	412108-2	TUBE 10-300	1		
2	95	165686-8	FRAME COMPLETE	1		
2	96	911148-2	PAN HEAD SCREW M4X25	2		
2	97	163532-9	FILTER	1		
2	98	345920-4	HOSE CLAMP	1		
2	99	126444-7	TUBE ASSEMBLY	1		
2	100	412119-7	TUBE GUARD 20-160	1		
2	101	125472-9	FUEL TANK CAP ASSEMBLY	1		
2	102	810455-9	CAUTION PLATE	1		
2	103	123423-6	FUEL TANK	1		
2	103	454007-2	FUEL TANK	1		
2	103	667-30060-01	FUEL TANK	1		
2	104	911148-2	PAN HEAD SCREW M4X25	2		
2	105	453499-2	FRAME HOLDER	2		
2	106	234246-8	COMPRESSION SPRING 17	2		
2	107	453560-5	LOWER FRAME HOLDER	2		
2	108	911333-7	PAN HEAD SCREW M6X20	2		
2	109	911148-2	PAN HEAD SCREW M4X25	2		
2	110	911313-3	PAN HEAD SCREW M6X12 WITH WR	3		
2	111	454684-0	GUARD	1		
2	112	346745-9	TUBE COVER	1		

Products with multiple versions are listed in subsiding order with the newest version on top not indented.

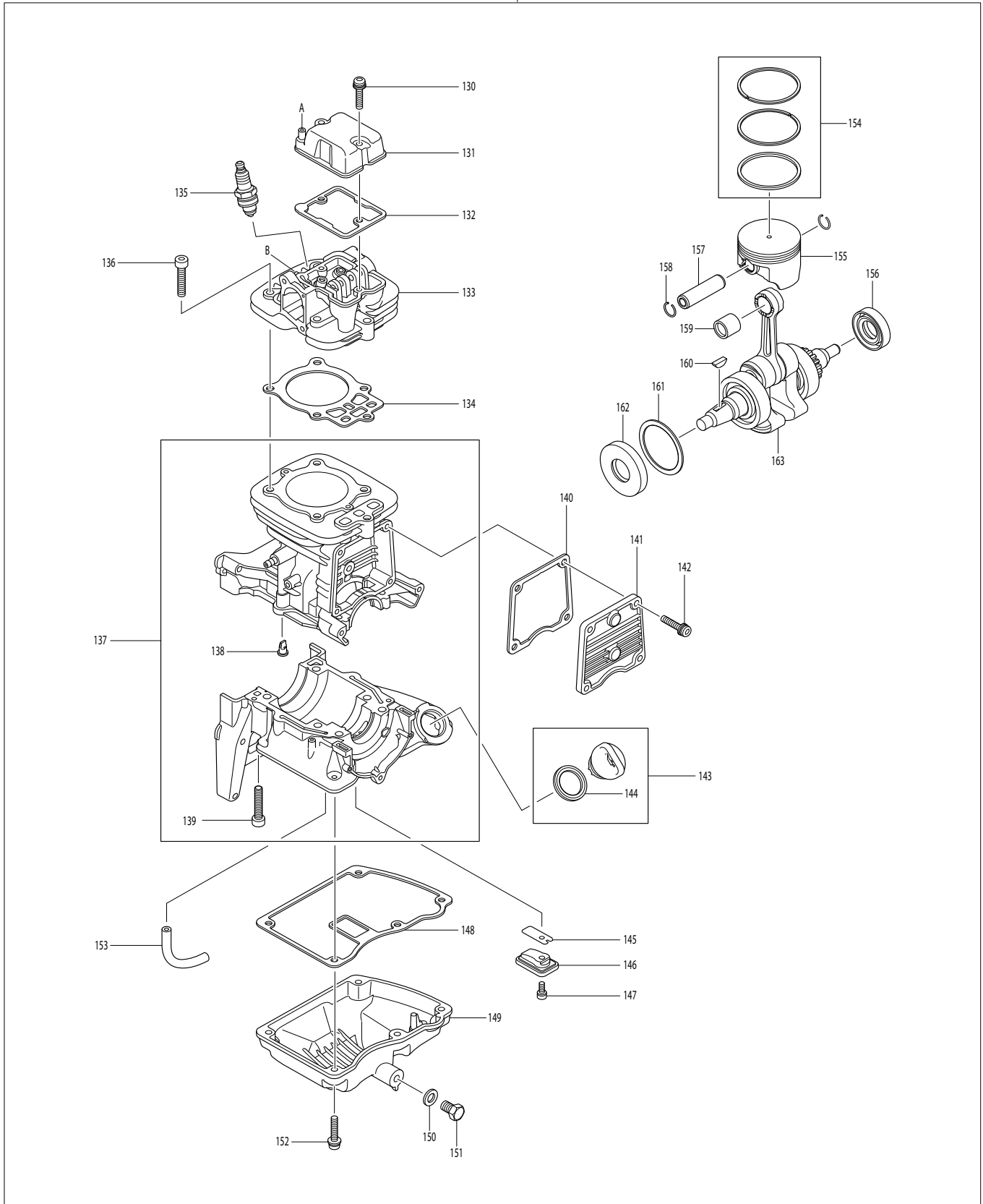
Section	Fig. No.	Part No.	Description	PM7650H	Tech Bulletin	Notes
2	113	454683-2	HOSE JOINT	1		
2	114	424503-4	GROMMET	1		
2	115	282023-2	HOSE CLAMP	1		
2	116	412143-0	TUBE	1		
2	117	282023-2	HOSE CLAMP	1		
2	118	454751-1	HOSE JOINT	1		
2	119	282023-2	HOSE CLAMP	1		
2	120	412142-2	TUBE	1		
2	121	282023-2	HOSE CLAMP	1		
2	263	423467-9	SPONGE 12	1		



Products with multiple versions are listed in subsiding order with the newest version on top not indented.

Section	Fig. No.	Part No.	Description	PM7650H	Tech Bulletin	Notes
3	20	198218-6	CONTROL LEVER ASSEMBLY	1		
3	20	197095-3	CONTROL LEVER ASSEMBLY	1		
3	20	126137-6	CONTROL LEVER ASSEMBLY	1		
3	270	922317-0	HEX. SOCKET HEAD BOLT M6X14	1		
3	271	267841-9	WAVE WASHER 7	1		
3	272	267459-6	FLAT WASHER 7	1		
3	272	003-11060-00	FLAT WASHER 7	1		
3	273	453717-8	LEVER 2 THROTTLE	1		
3	274	931302-2	HEX. NUT M6	1		
3	275	453716-0	LEVER 1 THROTTLE	1		
3	276	233602-9	TORSION SPRING 9	1		
3	277	911242-0	PAN HEAD SCREW M5X25	1		
3	278	168745-7	SWITCH COMPLETE	1		
3	279	266768-0	TAPPING SCREW 4X16	5		
3	279	667-50010-20	TAPPING SCREW 4X16	5		
3	280	252103-8	HEX. NUT M5	1		
3	280	931202-6	HEX. NUT M5	1		
3	281	453715-2	TUBE CABLE	1		
3	282	168744-9	CONTROL CABLE	1		

300

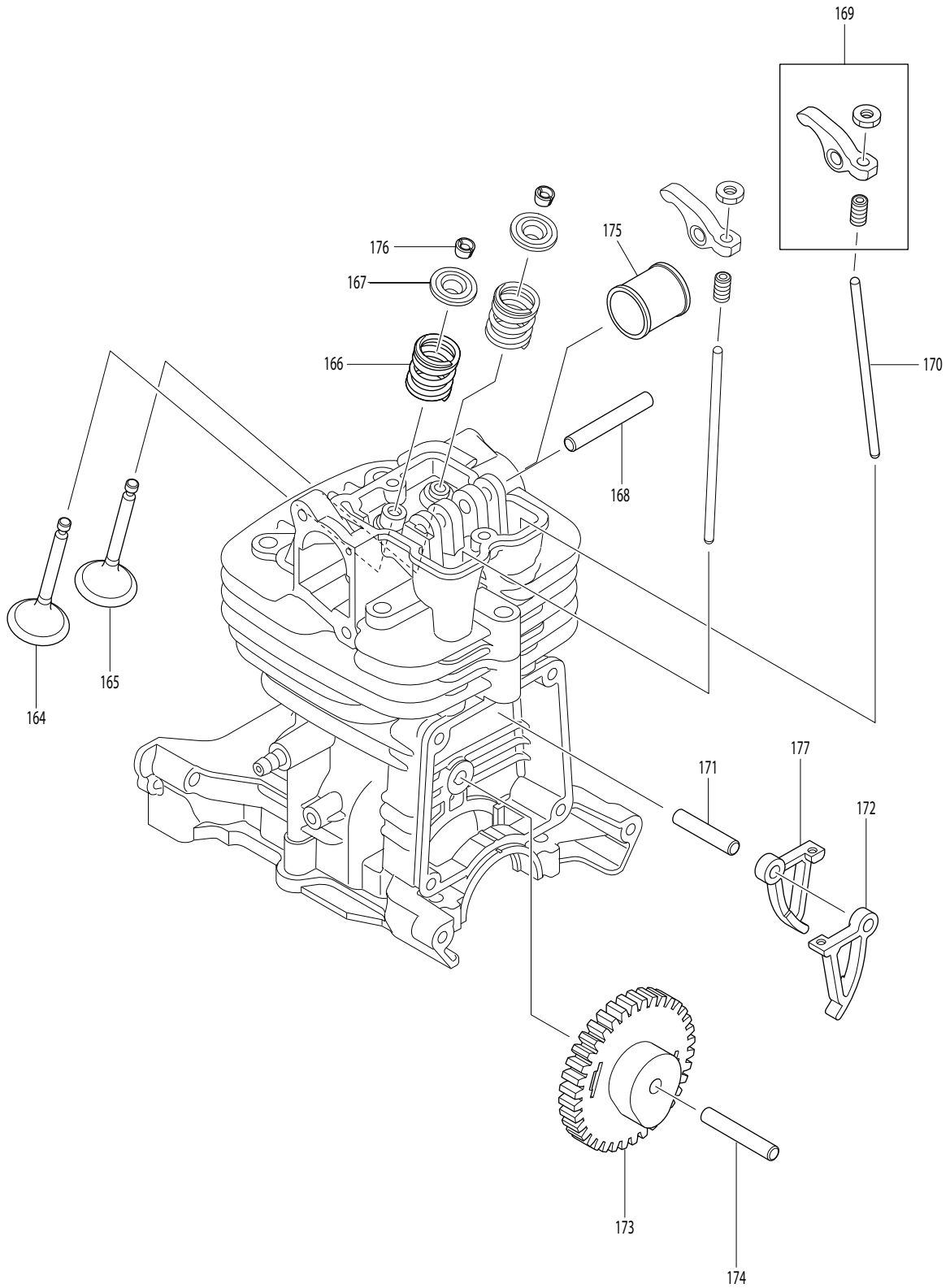


Products with multiple versions are listed in subsiding order with the newest version on top not indented.

Section	Fig. No.	Part No.	Description	PM7650H	Tech Bulletin	Notes
4	130	011-90595-70	H.S.H.BOLT M5X30 WITH WR	2		
4	131	141771-1	ROCKER COVER COMPLETE	1		
4	132	597-15009-00	ROCKER COVER GASKET	1		
4	133	135619-7	CYLINDER HEAD ASS'Y 76CC	1	A3731	INC. 164-167, 176
4	133	142771-4	CYLINDER HEAD COMPLETE	1		INC. 168,169
4	134	442167-2	CYLINDER HEAD GASKET	1		
4	135	168401-9	SPARK PLUG	1		NGK CMR6H .020
4	136	011-90696-70	SOCKET HEAD BOLT M6X35	5		
4	137	597-10070-01	CYLINDER BLOCK SET	1		INC. 138,139
4	138	424201-0	CHECK VALVE	2		
4	139	011-90699-30	HEX. SOCKET HEAD BOLT M6X30	6		
4	140	442168-0	CAM GEAR GASKET	1		
4	141	318725-5	CAM GEAR COVER	1		
4	142	266813-1	H.S.H.BOLT M5X16 WITH WR	4		
4	143	667-60050-00	OIL CAP ASSY	1		INC. 144
4	144	021-32299-80	GASKET	1		
4	145	346083-9	LEAD VALVE	1		
4	146	593-15013-00	RETAINER PLATE	1		
4	147	011-90499-80	SOCKET HEAD BOLT M4X10	1		
4	148	597-65001-00	OIL CASE GASKET	1		
4	149	319008-6	OIL CASE	1		
4	149	597-65000-00	OIL CASE	1		
4	150	346452-4	GASKET	1		
4	151	001-66081-20	BOLT M8X12	1		
4	152	011-90593-90	SOCKET HEAD BOLT M5X25	5		
4	153	085-11099-60	TUBE	1		
4	154	597-20030-00	PISTON RING SET	1		
4	155	318726-3	PISTON	1		
4	156	213091-4	OIL SEAL 17	1		
4	156	213599-8	OIL SEAL 17	1		
4	157	580-25007-02	PISTON PIN	1		
4	158	233995-4	RING SPRING 12	2		
4	159	061-01299-40	NEEDLE ROLLER BEARING	1		
4	160	032-30499-50	WOODRUFF KEY	1		
4	161	267448-1	FLAT WASHER 41	1		

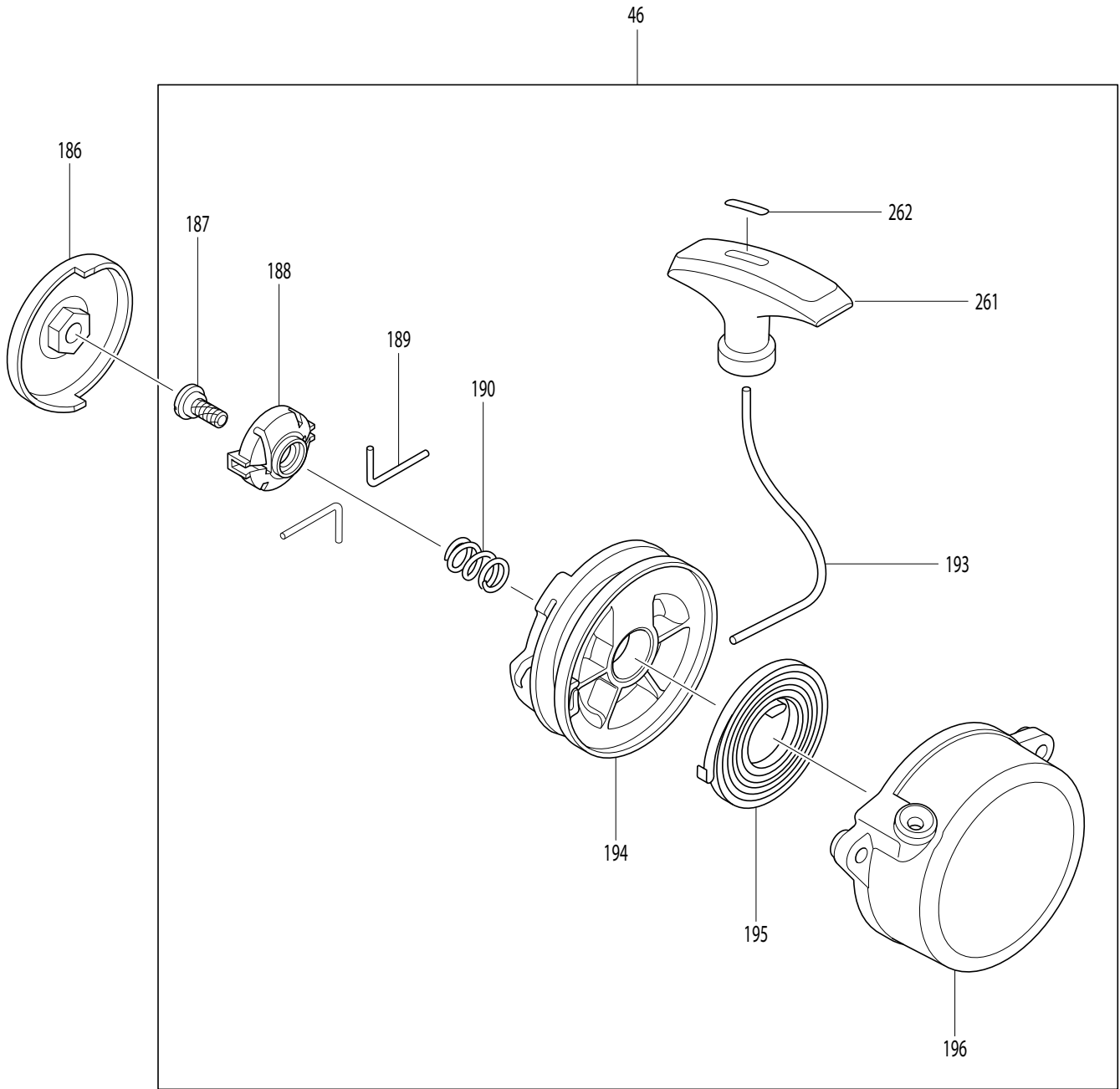
Products with multiple versions are listed in subsiding order with the newest version on top not indented.

Section	Fig. No.	Part No.	Description	PM7650H	Tech Bulletin	Notes
4	162	213090-6	OIL SEAL(L)	1		
4	162	213598-0	OIL SEAL(L)	1		
4	163	126576-0	CRANK SHAFT COMPLETE	1		
4	163	142205-7	CRANK SHAFT COMPLETE	1		
4	300	123580-0	SHORT BLOCK	1		



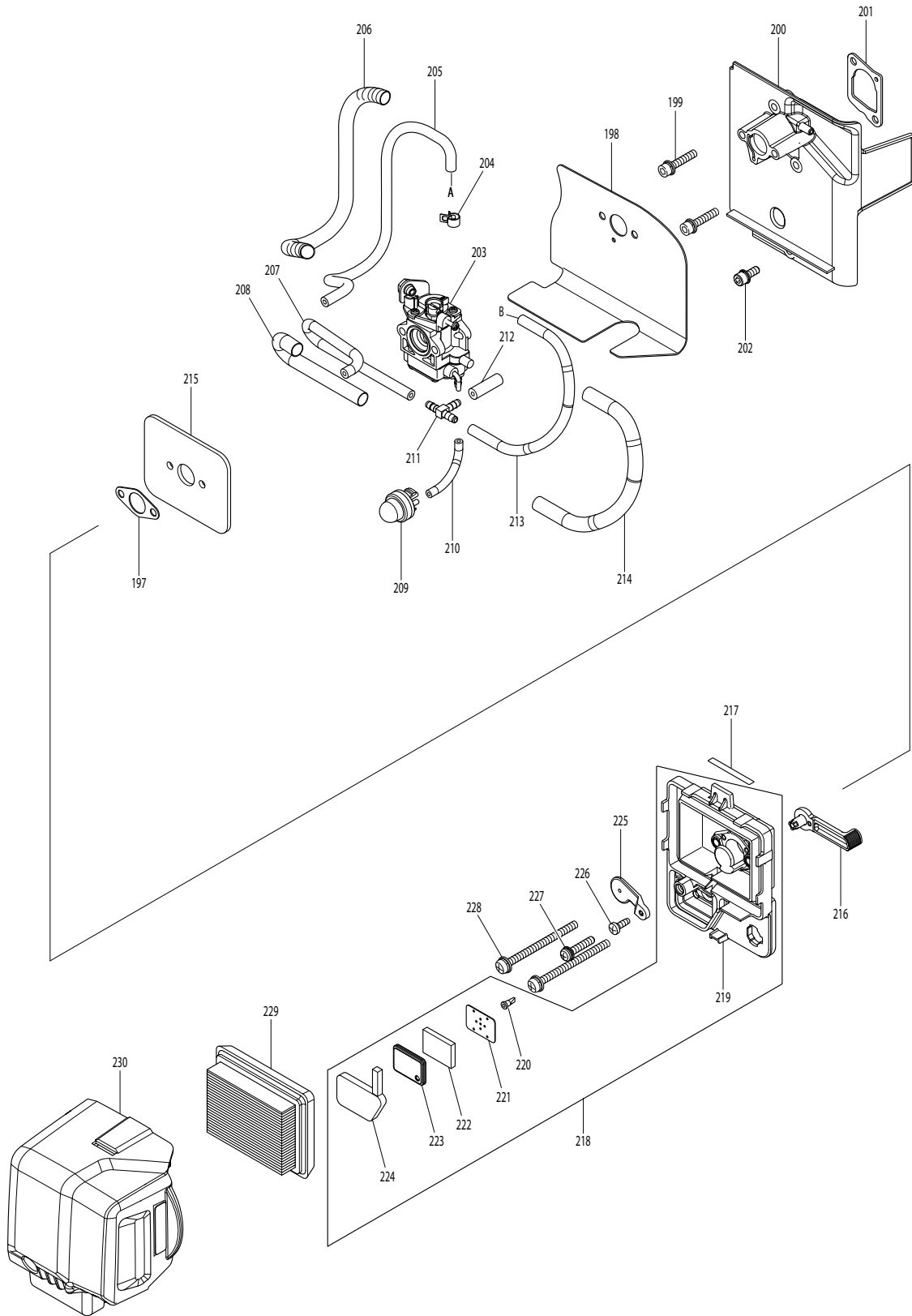
Products with multiple versions are listed in subsiding order with the newest version on top not indented.

Section	Fig. No.	Part No.	Description	PM7650H	Tech Bulletin	Notes
5	164	331964-0	INTAKE VALVE	1		
5	165	331965-8	EXHAUST VALVE	1		
5	166	234212-5	COMPRESSION SPRING 11	2		
5	167	331966-6	RETAINER	2		
5	168	597-35005-01	PIN 5	1		
5	169	126005-3	ROCKER ARM ASSEMBLY	2		
5	170	256526-2	PUSH ROD	2		
5	171	256186-0	SHAFT CAM LIFTER	1		
5	171	597-35007-00	SHAFT CAM LIFTER	1		
5	172	310715-4	CAM LIFTER L	1		
5	172	313266-6	CAM LIFTER L	1		
5	173	126622-9	CAMGEAR ASSY	1		
5	173	597-30020-02	CAMGEAR ASSY	1		
5	174	256200-2	PIN 5	1		
5	175	331937-3	EXHAUST PORT SPACER	1		
5	176	331967-4	COTTER	4		
5	177	313267-4	CAM LIFTER R	1		



Products with multiple versions are listed in subsiding order with the newest version on top not indented.

Section	Fig. No.	Part No.	Description	PM7650H	Tech Bulletin	Notes
6	46	126165-1	RECOIL	1		INC. 187-190,193-196,261-262
6	186	597-55000-00	PULLEY	1		
6	187	266585-8	TAPPING SCREW 5X12	1		
6	188	597-50020-40	COLLAR	1		
6	189	326200-7	SWING ARM	2		
6	190	234257-3	FRICTION SPRING	1		
6	193	444043-6	STARTER ROPE	1		
6	194	441075-4	REEL	1		
6	195	SG00000014	SPIRAL SPRING	1		
6	195	232262-4	SPIRAL SPRING	1		
6	196	141649-8	STARTER CASE COMPLETE	1		
6	261	424361-8	STARTER KNOB	1		
6	262	424360-0	ROPE STOPPER	1		

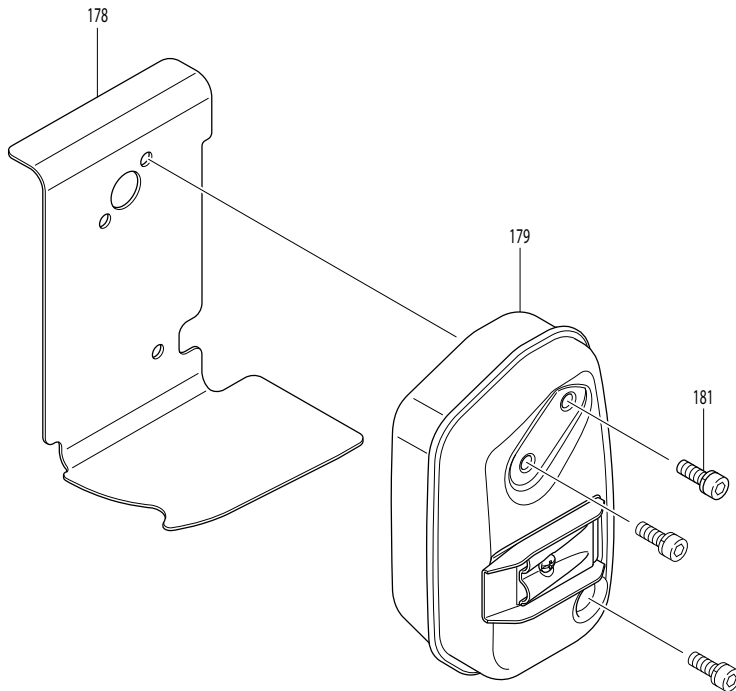
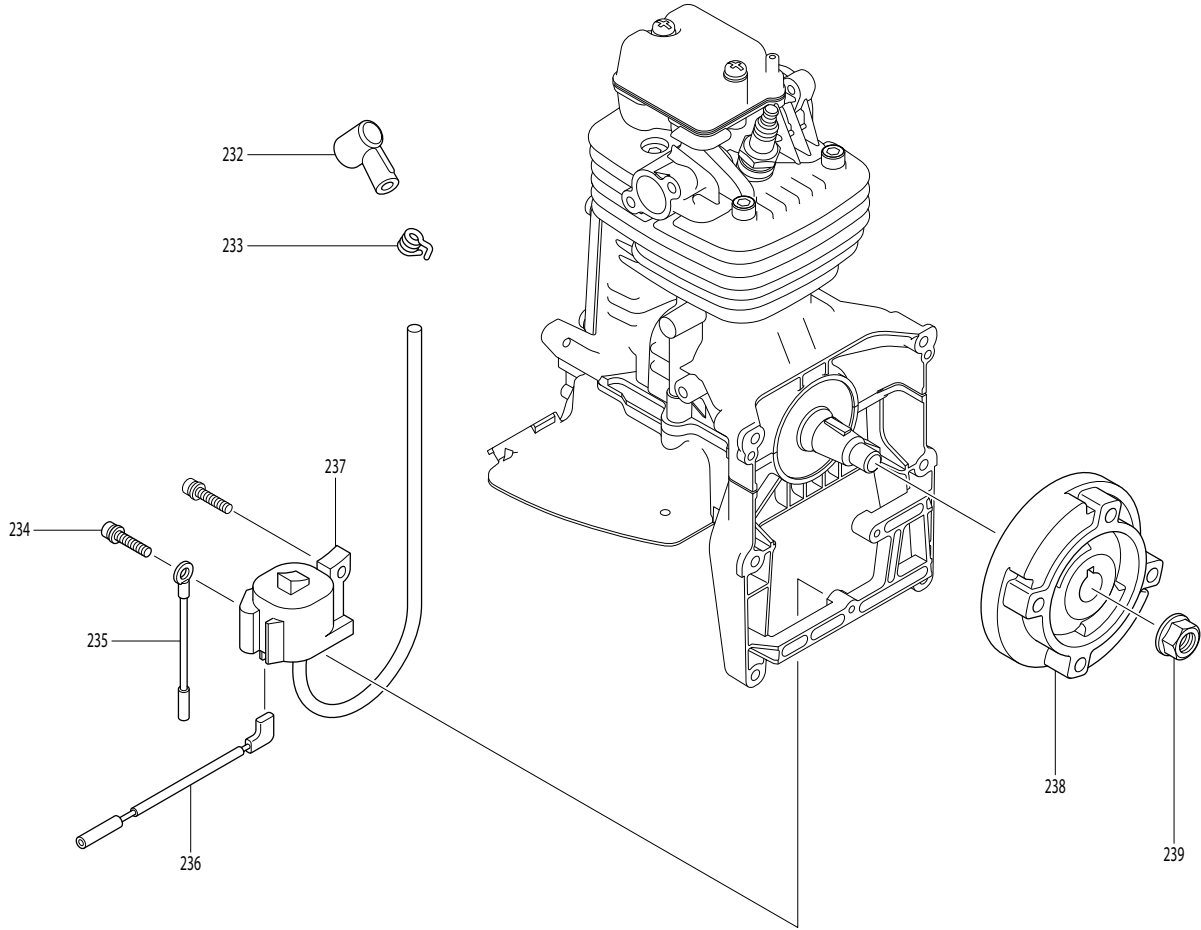


Products with multiple versions are listed in subsiding order with the newest version on top not indented.

Section	Fig. No.	Part No.	Description	PM7650H	Tech Bulletin	Notes
7	197	523-35042-00	CARBURETOR GASKET	1		
7	198	423438-6	CARBURETOR GASKET	1		
7	199	266749-4	HEX. S.H.B. M5X25 WITH WR	2		
7	200	141670-7	INSULATOR COMPL	1		
7	201	162333-2	INSULATOR GASKET	1		
7	202	922218-2	H.S.H. BOLT M5X14 WITH WR	1		
7	203	168725-3	CARBURETOR	1		INC. 240-246,248-251,253-259
7	204	282027-4	HOSE CLAMP 6	1		
7	205	412134-1	TUBE 3-210	1		
7	206	454190-5	CORRUGATE TUBE 160	1		
7	207	412121-0	TUBE 3-130	1		
7	208	412123-6	TUBE 10-110	1		
7	209	168398-2	PRIMER PUMP	1		
7	210	412112-1	TUBE 3-60	1		
7	211	452952-5	HOSE JOINT	1		
7	212	422096-5	TUBE 3-25	1		
7	213	412122-8	TUBE 3-240	1		
7	214	412124-4	TUBE 10-220	1		
7	215	346582-1	PLATE 31	1		
7	216	458165-6	CHOKE LEVER	1	B9550	Interchangeable as a set with 458166-4
7	216	453502-9	CHOKE LEVER	1		
7	218	126149-9	CLEANER PLATE ASSEMBLY	1		INC. 219-224
7	219	453501-1	AIR CLEANER PLATE	1		
7	220	424316-3	CHECK VALVE	1		
7	221	162325-1	SEPARATOR GASKET	1		
7	222	352013-0	SEPARATOR NET	1		
7	223	162322-7	SEPARATOR STOPPER	1		
7	224	162324-3	SEPARATOR PLATE	1		
7	225	458166-4	CHOKE PLATE	1	B9550	Interchangeable as a set with 458165-6
7	225	597-35017-00	CHOKE PLATE	1		
7	226	266427-6	TAPPING SCREW 4X12	1		
7	227	911243-8	PAN HEAD SCREW M5X25	1		
7	228	911293-3	PAN HEAD SCREW M5X70	2		

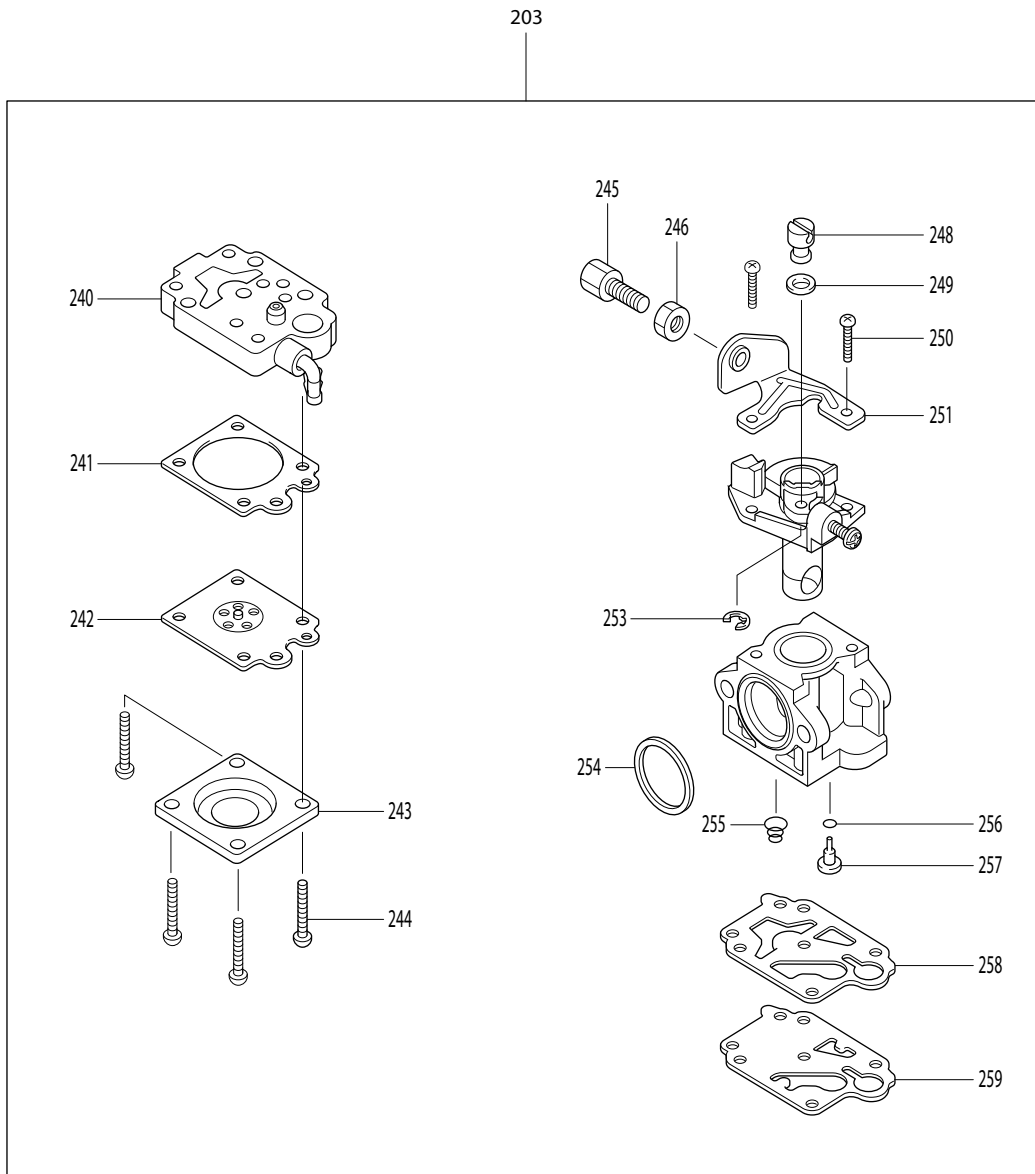
Products with multiple versions are listed in subsiding order with the newest version on top not indented.

Section	Fig. No.	Part No.	Description	PM7650H	Tech Bulletin	Notes
7	229	442181-8	AIR CLEANER ELEMENT	1		
7	230	141525-6	AIR CLEANER COVER COMPLETE	1		



Products with multiple versions are listed in subsiding order with the newest version on top not indented.

Section	Fig. No.	Part No.	Description	PM7650H	Tech Bulletin	Notes
8	178	346682-7	MUFFLER GASKET	1		
8	178	597-35013-02	MUFFLER GASKET	1		
8	179	597-30010-03	MUFFLER EXHAUST	1		
8	181	266771-1	SOCKET HEAD BOLT M6X18	3		
8	232	424105-6	PLUG CAP	1		
8	233	324891-8	PLUG CAP SPRING	1		
8	234	011-90499-70	SOCKET HEAD BOLT M4X20	2		
8	235	638784-6	WIRE	1		
8	236	638710-5	LEAD WIRE	1		
8	237	161837-1	IGNITION COIL	1	B9550	
8	237	597-70010-10	IGNITION COIL	1		
8	238	597-70010-20	FLYWHEEL COMPL	1		
8	239	264054-3	FLANGE NUT M10	1		



Products with multiple versions are listed in subsiding order with the newest version on top not indented.

Section	Fig. No.	Part No.	Description	PM7650H	Tech Bulletin	Notes
9	203	168725-3	CARBURETOR	1		INC. 240-246,248-251,253-259
9	240	141672-3	PUMP BODY ASSEMBLY	1		
9	241	442183-4	METERING DIAPHRAGM GASKET	1		
9	242	168620-7	METERING DIAPHRAGM	1		
9	243	WJ00021158	METER DIAPHRAGM COVER	1		
9	243	346608-9	METER DIAPHRAGM COVER	1		
9	244	WJ00096325	SCREW	4		
9	244	266770-3	SCREW	4		
9	245	266795-7	ADJUST SCREW	1		
9	246	264065-8	CABLE ADJUST NUT M6	1		
9	248	325922-6	SWIVEL	1		
9	249	413140-9	WASHER	1		
9	250	266704-6	PAN HEAD SCREW M3X10	2		
9	251	523-60520-20	BRACKET CABLE	1		
9	253	257964-1	STOP RING E-3	1		
9	254	424444-4	PACKING RING	1		
9	255	234183-6	CONICAL COMPRESSION SPRING 5-9	1		
9	256	213538-8	O RING 2	1		
9	257	326243-9	JET	1		
9	258	442155-9	PUMP GASKET	1		
9	259	WJ00009599	PUMP DIAPHRAGM	1		
9	259	168575-6	PUMP DIAPHRAGM	1		