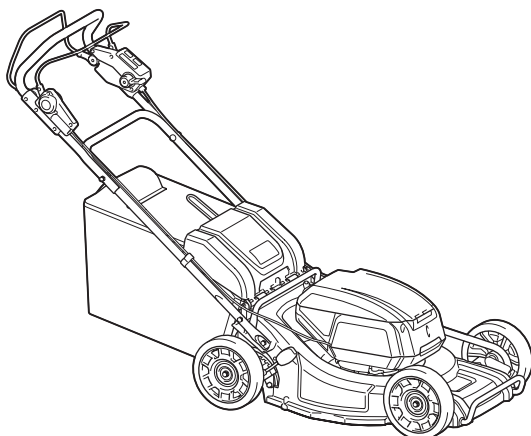


**INSTRUCTION MANUAL  
MANUAL DE INSTRUCCIONES**



# **Cordless Lawn Mower Cortadora de Césped**

## **XML09**



**IMPORTANT:** Read Before Using.

**IMPORTANTE:** Lea antes de usar.

## SPECIFICATIONS

Model:	<b>XML09</b>
Mowing width (blade diameter)	534 mm (21")
No load speed	2,300 /min
Maximum speed	2,800 /min
Part number of replacement mower blade	191D52-7
Dimensions (L x W x H)	L: 1,655 mm to 1,740 mm (65" to 68-1/2") W: 590 mm (23-1/4") H: 990 mm to 1,100 mm (39" to 43-1/4")
Traveling speed	2.5 - 5.0 km/h (1.6 - 3.1 mile/h)
Rated voltage	D.C. 36 V
Net weight	43 - 47 kg (96 - 104 lbs)
Protection degree	IPX4

- Due to our continuing program of research and development, the specifications herein are subject to change without notice.
- Specifications may differ from country to country.
- The weight may differ depending on the attachment(s), including the battery cartridge. The lightest and heaviest combination, according to EPTA-Procedure 01/2014, are shown in the table.

## Applicable battery cartridge and charger

Battery cartridge	BL1815N / BL1820B / BL1830 / BL1830B / BL1840B / BL1850B / BL1860B
Charger	DC18RC / DC18RD / DC18RE / DC18SD / DC18SE / DC18SF / DC18SH

- Some of the battery cartridges and chargers listed above may not be available depending on your region of residence.

**⚠WARNING:** Only use the battery cartridges and chargers listed above. Use of any other battery cartridges and chargers may cause injury and/or fire.

## SAFETY WARNINGS

### IMPORTANT SAFETY INSTRUCTIONS

**⚠WARNING:** When using electric lawn mowers, basic safety precautions should always be followed to reduce the risk of fire, electric shock, and personal injury; including the following.

### Read All Instructions

Read, understand, and follow all instructions on the mower and in the instruction manuals. Be thoroughly familiar with the controls and the proper use of the mower before starting.

**⚠WARNING!**

#### Training

1. This mower is capable of amputating hands and feet and throwing objects. Failure to observe the following safety instructions could result in serious injury or death.
2. Only allow responsible adults, who are familiar with the instruction, to operate the mower.

#### Preparation

1. **Keep Children Away** - All visitors should be kept a safe distance from work area. Be alert and turn mower off if a child enters the area. Use extra care when approaching blind corners, shrubs, trees, or other objects that may block your view of a child.
2. **Dress Properly** - Do not wear loose clothing or jewelry. They can be caught in moving parts. Use of rubber gloves and substantial footwear is recommended when working outdoors. Do not operate the mower when barefoot or wearing open sandals.
3. **Use Safety Glasses**- Always use face or dust mask if operation is dusty.
4. **Objects struck by the lawn mower blade can cause severe injuries to persons. The lawn should always be carefully examined and cleared of all objects prior to each mowing. Stay behind the handle when the engine (motor) is running.**
5. **Be sure the area is clear of other people before mowing. Stop mower if anyone enters the area.**
6. **Do not insert the lock key into mower until it is ready to be used.**

7. **Watch for holes, ruts, bumps, rocks, or other hidden objects.** Uneven terrain could cause a slip and fall accident. Tall grass can hide obstacles.
  8. **Check the blades or blade bolts carefully for cracks or damage before operation. Replace cracked or damaged blades or blade bolts immediately.**
  9. **Do not insert or remove the lock key in the rain.**
- Operation**
1. **Avoid Dangerous Environment** - Never operate the mower in damp or wet locations. Always be sure of your footing: keep a firm hold on the handle and walk; never run.
  2. **Don't Use In Rain.**
  3. **Use Right Appliance** - Do not use lawn mower for any job except that for which it is intended.
  4. **Don't Force Lawn Mower** - It will do the job better and safer at the rate for which it was designed.
  5. **Don't Overreach** - Keep proper footing and balance at all times. Do not mow near drop offs, ditches, or embankments. You could lose your footing or balance.
  6. **Stay Alert** - Watch what you are doing. Use common sense. Do not operate lawn mower when you are tired. Do not operate machine while under the influence of alcohol or drugs. A moment of inattention while operating the mower may result in serious personal injury.
  7. **Remove Battery From Lawn Mower** - Remove the battery when not in use, before servicing, cleaning, removing material from the lawn mower, or changing accessories such as mower blades, and the like.
  8. **Keep hands and feet away from cutting area. Keep clear of the discharge opening at all times.**
  9. **If the mower strikes a foreign object, follow these steps:**
    - Stop the mower. Release the switch. Wait until the blade comes to a complete stop.
    - Remove the lock key and the battery cartridge.
    - Inspect the mower for any damage.
    - Repair any damage before restarting and operating the mower. Replace the blade if it is damaged in any way.
  10. **Never direct discharged material toward anyone. Avoid discharging material against a wall or obstruction.** Material may ricochet back toward the operator. Stop the blade when crossing gravel surfaces.
  11. **Do not pull the mower backwards unless absolutely necessary.** When you are compelled to back the mower from a fence or other similar obstruction, look down and behind before and while moving backwards.
  12. **Release switch lever and wait for blade rotation to stop before crossing driveways, walks, roads and any gravel-covered areas.** Also remove the lock key if you leave it, reach to pick up or remove something out of your way, or for any other reason that may distract you from what you are doing.
  13. **Do not operate machine without the entire grass catcher, discharge guard, rear guard, or other safety protective devices in place and working.**
  14. **Stop the motor and remove the lock key whenever you leave the equipment, before cleaning the mower or unclogging the chute and making any repairs or inspections.**
  15. **Shut the motor off and wait until the blade comes to a complete stop before removing the grass catcher.** Beware that the blades coast after turn off.
  16. **Mow only in daylight or good artificial light.**
  17. **If the mower starts to vibrate abnormally (check immediately)**
    - inspect for damage,
    - replace or repair any damaged parts,
    - check for and tighten any loose parts.
  18. **Don't grasp the exposed cutting blades or cutting edges when picking up or holding the appliance.**
  19. **Never attempt to make cutting height adjustments while mower is running if the mower has cutting height adjustment feature.**
  20. **Mow across the face of slopes, never up and down. Exercise extreme caution when changing direction on slopes. Do not mow excessively steep slopes.** Poor footing could cause a slip and fall accident.
  21. **Avoid operating the mower in wet grass.**
  22. **Stop operation immediately if you notice anything unusual. Switch off the mower and remove the lock key. Then inspect the mower.**
  23. **Do not start the mower when standing in front of the discharge opening.**
  24. **Avoid using the mower in bad weather conditions especially when there is a risk of lightning.**
  25. **When you use the machine on muddy ground, wet slope, or slippery place, pay attention to your footing.**
  26. **Avoid working in poor environment where increased user fatigue is expected.**
  27. **Do not use the machine in bad weather where visibility is limited.** Failure to do so may cause fall or incorrect operation due to low visibility.
  28. **Do not submerge the machine into a puddle.**
  29. **When wet leaves or dirt adhere to the suction mouth (ventilation window) due to rain, remove them.**
  30. **Do not use the machine in the snow.**
  31. **If the cut-off grass is wet, it is likely to be clogged inside of the machine. Check the condition of the machine regularly, and remove the adhered grass as necessary.**
  32. **When operating the machine, pay attention to piping and wiring.**
  33. **Do not use a corded power supply such as battery adapter or portable power pack with this machine.** The cable of such power supply may hinder the operation and result in personal injury.

## Maintenance and storage

1. **Store Idle Lawn Mower Indoors** - When not in use, lawn mower should be stored in an indoor dry and locked-up place - out of reach of children.
2. **Maintain Lawn Mower With Care** - Keep cutting edges sharp and clean for best and safest performance. Follow instructions for lubricating and changing accessories. Inspect lawn mower cord periodically and if damaged, have it repaired by an authorized service facility. Keep handles dry, clean, and free from oil and grease.
3. **Keep machine free of grass, leaves, or other debris build up. Keep guards in place and in working order.**
4. **Keep blades sharp.**
5. **Use identical replacement blades only.**
6. **Check the grass basket frequently for wear or deterioration. For storage, always make sure the grass basket is empty.** Replace a worn grass basket with a new factory replacement one for safety.
7. **Check grass basket components and the discharge guard frequently and replace with manufacturer's recommended parts, when necessary.**
8. **Check the blade mounting bolt at frequent intervals for proper tightness.**
9. **Keep all nuts, bolts, and screws tight to be sure the equipment is in safe working condition.**
10. **Never remove or tamper with safety devices. Check their proper operation regularly. Never do anything to interfere with the intended function of a safety device or to reduce the protection provided by a safety device.**
11. **Be careful during adjustment of the mower to prevent entrapment of the fingers between moving blades and fixed parts of the mower.**
12. **Always allow the mower to cool down before storing.**
13. **When servicing the blades be aware that, even though the power source is switched off, the blades can still be moved.**
14. **Maintain or replace safety and instruction labels, as necessary.**
15. **Do not leave the machine unattended outdoors in the rain.**
16. **Do not wash the machine with high pressure water.**
17. **When washing the machine, be sure to remove the battery and lock key and close the battery cover, and pour water toward the bottom of the machine to which the blade is attached.**
18. **When storing the machine, avoid direct sunlight and rain, and store it in a place where it does not get hot or humid.**
19. **Perform inspection or maintenance in a place where rain can be avoided.**
20. **After using the machine, remove the adhered dirt and dry the machine completely before storing.** Depending on the season or the area, there is a risk of malfunction due to freezing.

## Battery tool use and care

1. **Prevent unintentional starting. Ensure the switch is in the off-position before connecting to battery pack, picking up or carrying the machine.** Carrying the machine with your finger on the switch or energizing machine that have the switch on invites accidents.
2. **Disconnect the battery pack from the machine before making any adjustments, changing accessories, or storing machine.** Such preventive safety measures reduce the risk of starting the machine accidentally.
3. **Recharge only with the charger specified by the manufacturer.** A charger that is suitable for one type of battery pack may create a risk of fire when used with another battery pack.
4. **Use machines only with specifically designated battery packs.** Use of any other battery packs may create a risk of injury and fire.
5. **When battery pack is not in use, keep it away from other metal objects, like paper clips, coins, keys, nails, screws or other small metal objects, that can make a connection from one terminal to another.** Shorting the battery terminals together may cause burns or a fire.
6. **Under abusive conditions, liquid may be ejected from the battery; avoid contact. If contact accidentally occurs, flush with water. If liquid contacts eyes, seek medical help.** Liquid ejected from the battery may cause irritation or burns.
7. **Do not use a battery pack or machine that is damaged or modified. Damaged or modified batteries may exhibit unpredictable behaviour resulting in fire, explosion or risk of injury.**
8. **Do not expose a battery pack or machine to fire or excessive temperature. Exposure to fire or temperature above 130°C (265°F) may cause explosion.**
9. **Follow all charging instructions and do not charge the battery pack or machine outside of the temperature range specified in the instructions.** Charging improperly or at temperatures outside of the specified range may damage the battery and increase the risk of fire.
10. **Have servicing performed by a qualified repair person using only identical replacement parts.** This will ensure that the safety of the product is maintained.
11. **Do not modify or attempt to repair the machine or the battery pack except as indicated in the instructions for use and care.**

## Electrical and battery safety

1. **Do not dispose of the battery(ies) in a fire.** The cell may explode. Check with local codes for possible special disposal instructions.
2. **Do not open or mutilate the battery(ies).** Released electrolyte is corrosive and may cause damage to the eyes or skin. It may be toxic if swallowed.
3. **Do not charge battery in rain, or in wet locations.**
4. **Do not charge the battery outdoors.**

5. Do not handle charger, including charger plug, and charger terminals with wet hands.
6. Do not charge lawn mower in rain, or in wet locations.
7. When replacing batteries, all batteries should be replaced at the same time. Mixing fresh and discharged batteries could increase internal cell pressure and rupture the discharged battery.
8. Exercise care in handling batteries in order not to short the battery with conducting materials such as rings, bracelets, and keys. The battery or conductor may overheat and cause burns.
9. Do not replace the battery in the rain.
10. Do not wet the terminal of battery with liquid such as water, or submerge the battery. Do not leave the battery in the rain, nor charge, use, or store the battery in a damp or wet place. If the terminal gets wet or liquid enters inside of battery, the battery may be short circuited and there is a risk of overheat, fire, or explosion.
11. After removing the battery from the machine or charger, be sure to attach the battery cover to the battery and store it in a dry place.
12. Do not replace the battery with wet hands.

#### Service

1. Have your power tool serviced by a qualified repair person using only identical replacement parts. This will ensure that the safety of the power tool is maintained.
2. Never service damaged battery packs. Service of battery packs should only be performed by the manufacturer or authorized service providers.

## SAVE THESE INSTRUCTIONS.

**⚠WARNING:** Use of this product can create dust containing chemicals which may cause respiratory or other illnesses. Some examples of these chemicals are compounds found in pesticides, insecticides, fertilizers and herbicides.

Your risk from these exposures varies, depending on how often you do this type of work. To reduce your exposure to these chemicals: work in a well ventilated area, and work with approved safety equipment, such as those dust masks that are specially designed to filter out microscopic particles.

## Symbols

The followings show the symbols used for tool.

V	volts
— — —	direct current
n <sub>0</sub>	no load speed
... /min r /min	revolutions or reciprocation per minute

## Important safety instructions for battery cartridge

1. Before using battery cartridge, read all instructions and cautionary markings on (1) battery charger, (2) battery, and (3) product using battery.
2. Do not disassemble battery cartridge.
3. If operating time has become excessively shorter, stop operating immediately. It may result in a risk of overheating, possible burns and even an explosion.
4. If electrolyte gets into your eyes, rinse them out with clear water and seek medical attention right away. It may result in loss of your eyesight.
5. Do not short the battery cartridge:
  - (1) Do not touch the terminals with any conductive material.
  - (2) Avoid storing battery cartridge in a container with other metal objects such as nails, coins, etc.
  - (3) Do not expose battery cartridge to water or rain.

A battery short can cause a large current flow, overheating, possible burns and even a breakdown.

6. Do not store the tool and battery cartridge in locations where the temperature may reach or exceed 50 °C (122 °F).
7. Do not incinerate the battery cartridge even if it is severely damaged or is completely worn out. The battery cartridge can explode in a fire.
8. Be careful not to drop or strike battery.
9. Do not use a damaged battery.
10. The contained lithium-ion batteries are subject to the Dangerous Goods Legislation requirements. For commercial transports e.g. by third parties, forwarding agents, special requirement on packaging and labeling must be observed. For preparation of the item being shipped, consulting an expert for hazardous material is required. Please also observe possibly more detailed national regulations. Tape or mask off open contacts and pack up the battery in such a manner that it cannot move around in the packaging.
11. When disposing the battery cartridge, remove it from the tool and dispose of it in a safe place. Follow your local regulations relating to disposal of battery.
12. Use the batteries only with the products specified by Makita. Installing the batteries to non-compliant products may result in a fire, excessive heat, explosion, or leak of electrolyte.
13. If the tool is not used for a long period of time, the battery must be removed from the tool.

## SAVE THESE INSTRUCTIONS.

**⚠CAUTION:** Only use genuine Makita batteries. Use of non-genuine Makita batteries, or batteries that have been altered, may result in the battery bursting causing fires, personal injury and damage. It will also void the Makita warranty for the Makita tool and charger.

## Tips for maintaining maximum battery life

1. Charge the battery cartridge before completely discharged. Always stop tool operation and charge the battery cartridge when you notice less tool power.
2. Never recharge a fully charged battery cartridge. Overcharging shortens the battery service life.
3. Charge the battery cartridge with room temperature at 10 °C - 40 °C (50 °F - 104 °F). Let a hot battery cartridge cool down before charging it.
4. Charge the battery cartridge if you do not use it for a long period (more than six months).

## ASSEMBLY

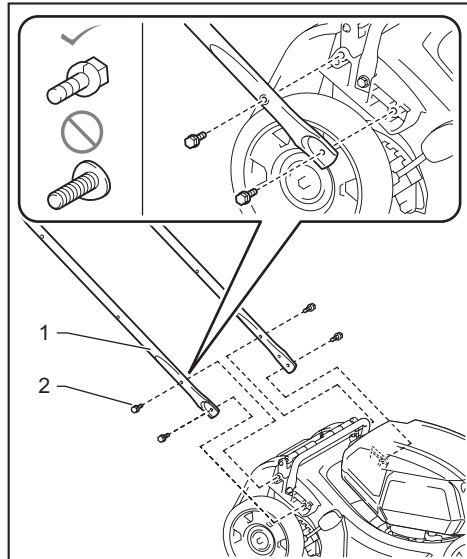
**⚠WARNING:** Always be sure that the lock key and battery cartridge are removed before carrying out any work on the mower. Failure to remove the lock key and the battery cartridge may result in serious personal injury from accidental start-up.

**⚠WARNING:** Never start the mower unless it is completely assembled. Operation of the machine in a partially assembled state may result in serious personal injury from accidental start-up.

### Installing the handle

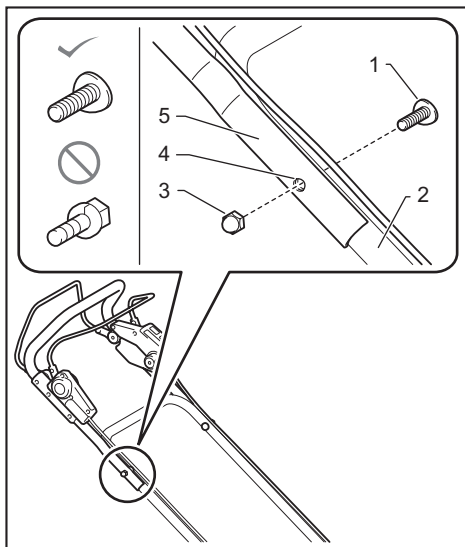
**NOTICE:** When installing handles, position the cords so that they are not caught by anything between the handles. If the cord is damaged, the mower switch may not work.

1. Align the holes in the lower handle with the holes in the mower body, and then tighten 4 bolts temporarily.



- 1. Lower handle 2. Bolt

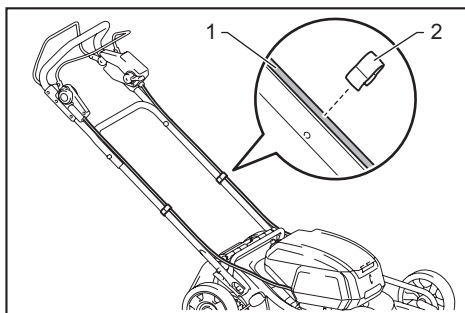
2. Firmly tighten 4 bolts which were temporarily tightened in step 1 using box wrench 13.
3. Align the hole in the lower handle with the hole in the upper handle, then insert the bolt from inside, and then tighten the nut from outside with box wrench 13. Perform the same procedure on the other side.



- 1. Bolt 2. Lower handle 3. Nut 4. Hole 5. Upper handle

**⚠CAUTION:** Hold the upper handle firmly so that it does not drop off your hand. Otherwise, the handle may fall and cause an injury.

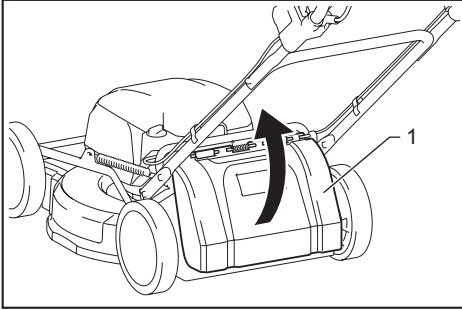
4. Attach the holders to the handle. Align the protrusions on the holder with the holes on the handle so that the protrusions fit in the holes. Position the cords as shown in the figure.



- 1. Cord 2. Holder

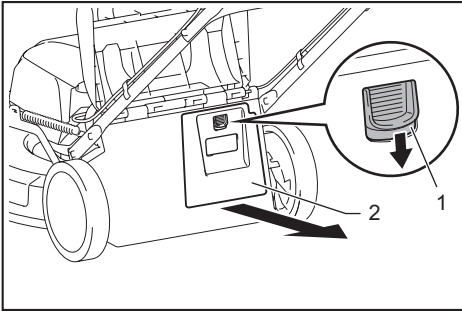
## Removing the mulching plug

1. Open the rear cover.



- 1. Rear cover

2. Remove the mulching plug while holding down the lever.

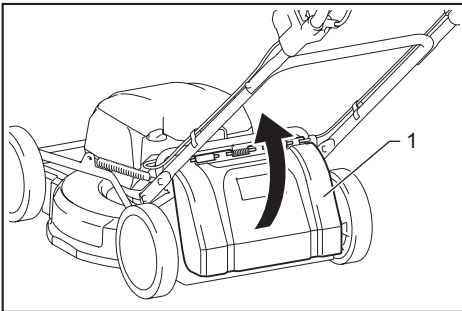


- 1. Lever 2. Mulching plug

## Installing or removing the grass basket

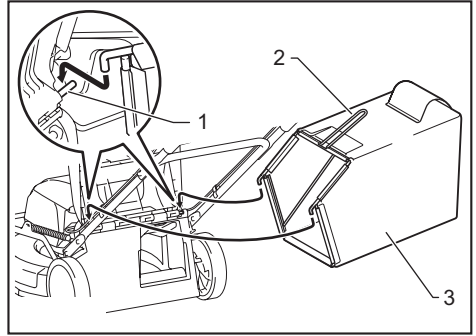
To install the grass basket, follow the steps below.

1. Open the rear cover.



- 1. Rear cover

2. Hold the handle of the grass basket, and then hook the grass basket on the rod of the mower body as shown in the figure.

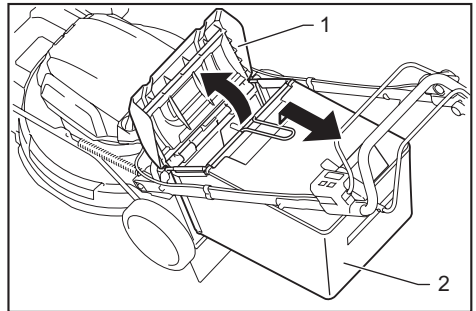


- 1. Rod 2. Handle 3. Grass basket

To remove the grass basket, open the rear cover, and then remove the grass basket by holding the handle.

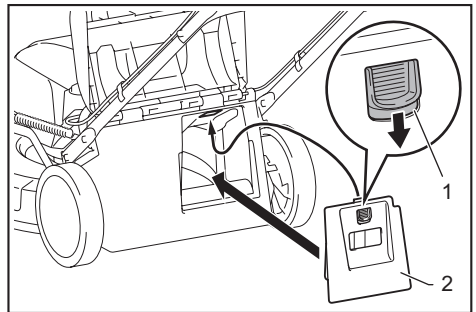
## Attaching the mulching plug

1. Open the rear cover, and then remove the grass basket.



- 1. Rear cover 2. Grass basket

2. Attach the mulching plug while holding down the lever, and then release the lever to lock the mulching plug.



- 1. Lever 2. Mulching plug

# FUNCTIONAL DESCRIPTION

## Installing or removing battery cartridge

**CAUTION:** Always switch off the machine before installing or removing of the battery cartridge.

**CAUTION:** Hold the machine and the battery cartridge firmly when installing or removing battery cartridge. Failure to hold the machine and the battery cartridge firmly may cause them to slip off your hands and result in damage to the machine and battery cartridge and a personal injury.

**CAUTION:** Make sure that you lock the battery cover before use. Otherwise, mud, dirt, or water may cause damage to the product or the battery cartridge.

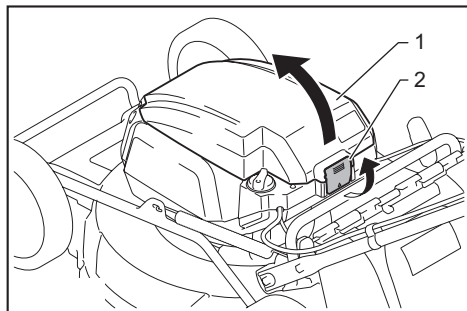
**CAUTION:** Always install the battery cartridge fully until the red indicator cannot be seen. If not, it may accidentally fall out of the machine, causing injury to you or someone around you.

**CAUTION:** Do not install the battery cartridge forcibly. If the cartridge does not slide in easily, it is not being inserted correctly.

**NOTE:** The machine does not work with only one battery cartridge.

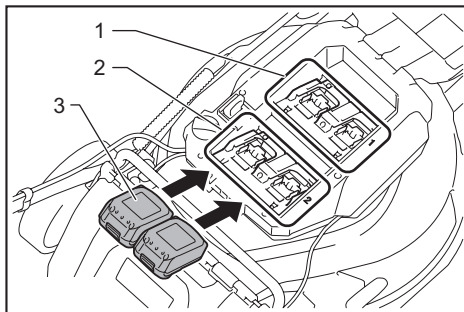
### To install the battery cartridge;

1. Pull up the locking lever, and then open the battery cover.



- 1. Battery cover 2. Locking lever

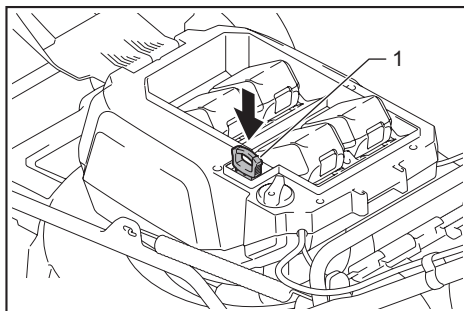
2. Align the tongue on the battery cartridge with the slot on the machine, and then slide the cartridge until it locks in place with a little click.



- (1) Battery port 1 (2) Battery port 2 (3) Battery cartridge

**NOTE:** Install at least 2 battery cartridges to battery port 1 or battery port 2.

3. Insert the lock key in the place shown in the figure as far as it will go.



- 1. Lock key

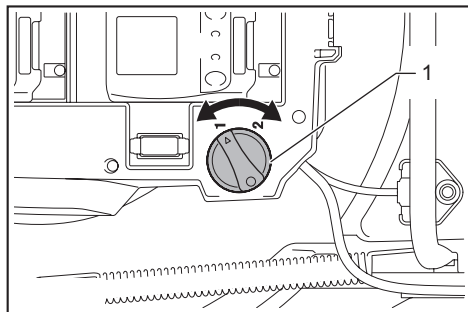
4. Close the battery cover and push it until it is latched with the locking lever.

### To remove the battery cartridge;

1. Pull up the locking lever and open the battery cover.
2. Pull out the battery cartridge from the machine while sliding the button on the front of the cartridge.
3. Pull out the lock key.
4. Close the battery cover.



## Switching the battery cartridges



► 1. Battery selection switch

The machine uses 2 battery cartridges for operation at a time. Up to 4 battery cartridges can be installed to the machine. Before operating the machine, select the battery port 1 or battery port 2 by turning the battery selection switch.

**NOTE:** If only 2 battery cartridges are installed to the machine, be sure to select the battery port to which the battery cartridges are installed using the battery selection switch.

## Machine / battery protection system

The machine is equipped with a machine/battery protection system. This system automatically cuts off power to the motor to extend machine and battery life. The machine will automatically stop during operation if the machine or battery is placed under one of the following conditions:

### Overload protection

When the battery is operated in a manner that causes it to draw an abnormally high current, the machine automatically stops and the main power lamp blinks in green. In this situation, turn the machine off and stop the application that caused the machine to become overloaded. Then turn the machine on to restart.

### Overheat protection

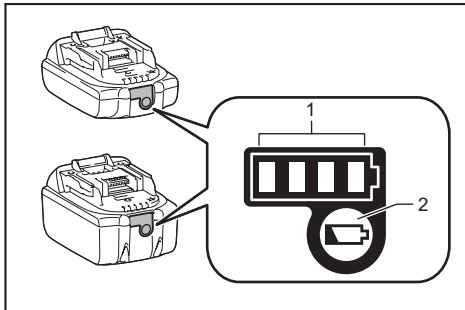
When the machine or battery is overheated, the machine stops automatically and the main power lamp lights up in red. In this case, let the machine and battery cool before turning the machine on again.

### Overdischarge protection

When the battery capacity is not enough, the machine stops automatically and the main power lamp blinks in red. In this case, remove the battery from the machine and charge the battery cartridges or change the battery cartridges to fully charged ones.

## Indicating the remaining battery capacity

*Only for battery cartridges with the indicator*



► 1. Indicator lamps 2. Check button

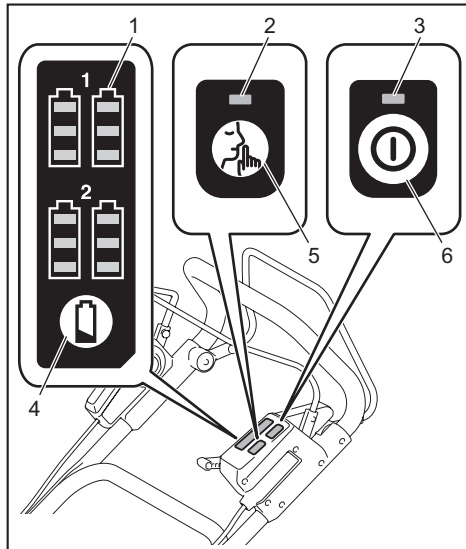
Press the check button on the battery cartridge to indicate the remaining battery capacity. The indicator lamps light up for a few seconds.

Indicator lamps			Remaining capacity
Lighted	Off	Blinking	
■ ■ ■ ■			75% to 100%
■ ■ ■ □			50% to 75%
■ ■ □ □			25% to 50%
■ □ □ □			0% to 25%
▤ □ □ □			Charge the battery.
■ ■ □ □			The battery may have malfunctioned.
□ □ ■ ■	↑ ↓		

**NOTE:** Depending on the conditions of use and the ambient temperature, the indication may differ slightly from the actual capacity.

## Control panel

The control panel has the main power switch, the mode switching button, and the indicator of remaining battery capacity.



- 1. Battery indicator 2. Mode switching lamp 3. Main power lamp 4. Check button 5. Mode switching button 6. Main power switch

## Main power switch

**⚠ WARNING:** Always turn off the main power switch when not in use.

To turn on the machine, press the main power switch. The main power lamp lights up in green. To turn off the machine, press the main power switch again.

**NOTE:** If the main power lamp lights up in red or blinks in red or green, refer to the instructions for machine/battery protection system.

**NOTE:** This machine employs the auto power-off function. To avoid unintentional start up, the main power switch will automatically shut down when the switch lever and drive lever (if equipped) are not pulled for a certain period after the main power switch is turned on.

## Mode switching button

You can switch the operating mode by pressing the mode switching button. When the machine is turned on, the machine starts up in the normal mode. When you press the mode switching button, the machine shifts to the noise reduction mode and the mode switching lamp lights up in green. In the noise reduction mode, you can decrease the noise at mowing. When you press the mode switching button again, the machine returns to the normal mode.

## Indicating the remaining battery capacity

Press the check button to indicate the remaining battery capacities. The battery indicators correspond to each battery.

Battery indicator status		Remaining battery capacity
On	Off	
		50% - 100%
		20% - 50%
		0% - 20%

**NOTE:** The indicator lamps for remaining battery capacity is just for a reference. The actual battery capacity may differ depending on the usage conditions.

**NOTE:** Before you press the check button to indicate the remaining battery capacities, stop the machine.

## Switch action

**⚠ WARNING:** Before installing the battery cartridge, always check to see that the switch lever actuates properly and returns to the original position when released. Operating the machine with a switch that does not actuate properly can lead to loss of control and serious personal injury.

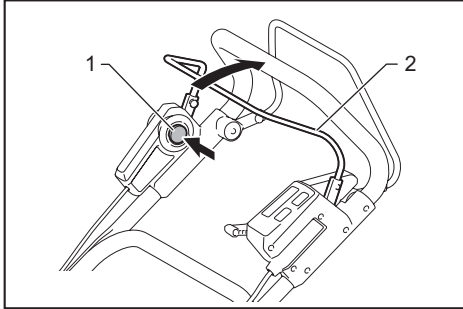
**NOTE:** The mower does not start without pressing the switch button even the switch lever is pulled.

**NOTE:** Mower may not start due to the overload when you try to mow long or dense grass at a time. Increase the mowing height in this case.

This mower is equipped with the lock key and handle switch. If you notice anything unusual with either of the lock key or switch, stop the operation immediately and have them checked by your nearest Makita Authorized Service Center.

1. Install the battery cartridges. Insert the lock key, and then close the battery cover.
2. Select the battery cartridges used for operation by turning the battery selection switch.
3. Press the main power switch.

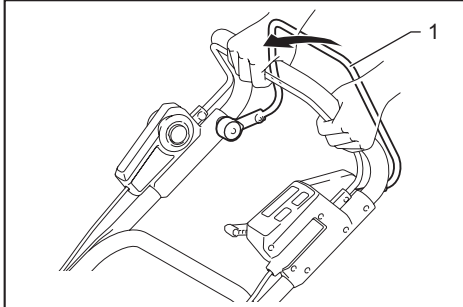
4. Pull the switch lever toward you while holding down the switch button. Release the switch button as soon as the motor starts running.



► 1. Switch button 2. Switch lever

**NOTE:** If the lock key is not inserted, the power lamp blinks in green when you pull the switch lever.

5. While holding the switch lever, push the drive lever forward and hold it to drive the rear wheels.



► 1. Drive lever

**NOTE:** You can drive the rear wheels by pushing the drive lever forward and hold it without pulling the switch lever.

6. Release the drive lever and the switch lever to stop the machine.

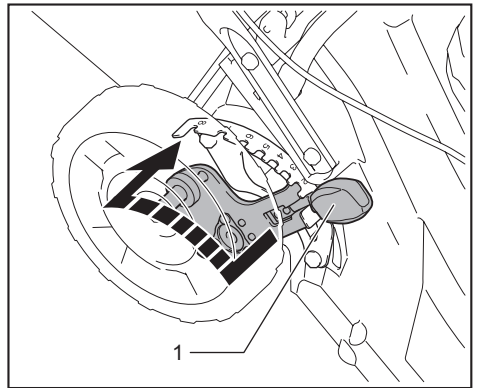
## Adjusting the mowing height

**⚠ WARNING:** Never put your hand or leg under the mower body when adjusting the mowing height.

**⚠ WARNING:** Always make sure that the lever fits in the groove properly before operation.

The mowing height can be adjusted in the range of between 32 mm (1-1/4") and 100 mm (3-15/16").

Remove the lock key, and then pull the mowing height adjusting lever outward of the mower body and move it to your desired mowing height.

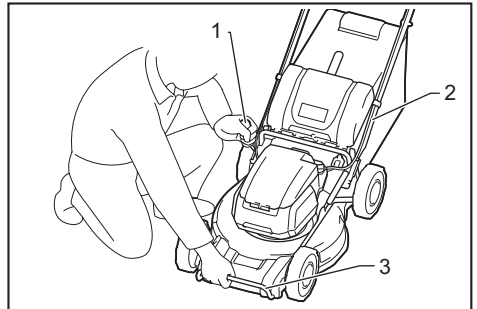


► 1. Mowing height adjusting lever

The table below shows the relationship between the number on the mower body and the approximate mowing height.

Number	Mowing height
1	32 mm (1-1/4")
2	39 mm (1-9/16")
3	47 mm (1-7/8")
4	55 mm (2-3/16")
5	63 mm (2-1/2")
6	74 mm (2-15/16")
7	86 mm (3-3/8")
8	100 mm (3-15/16")

Hold the front grip or the lower handle with one hand, and then move the mowing height adjusting lever with the other hand.



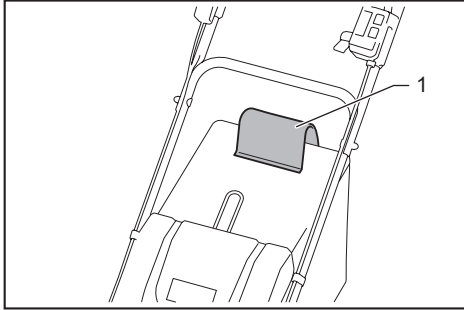
► 1. Mowing height adjusting lever 2. Lower handle 3. Front grip

**NOTE:** The mowing height figures should be used just as a guideline. Depending on the conditions of the lawn or the ground, the actual lawn height may become slightly different from the set height.

**NOTE:** Try a test mowing of grass in a less conspicuous place to get your desired height.

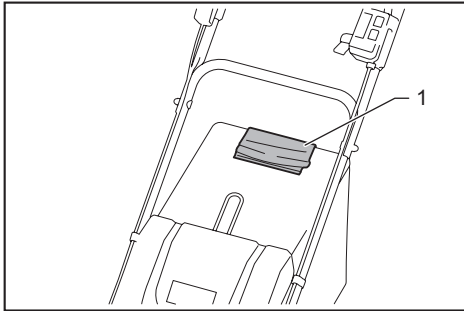
## Grass level indicator

Grass level indicator shows the volume of mowed grass. When the grass basket is not full, the indicator floats while the blades are running.



► 1. Grass level indicator

When the grass basket is almost full, the indicator does not float while the blades are running. In this case, stop the operation immediately and empty the basket.



► 1. Grass level indicator

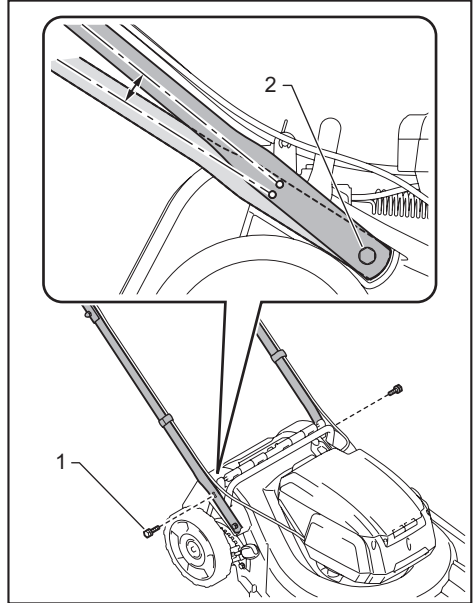
**NOTE:** This indicator is a rough guide. Depending on the conditions of inside of the basket, this indicator may not work properly.

## Adjusting the handle height

**CAUTION:** Before removing the bolts, hold the upper handle firmly. Otherwise, the handle may fall and cause an injury.

The handle height can be adjusted in two levels.

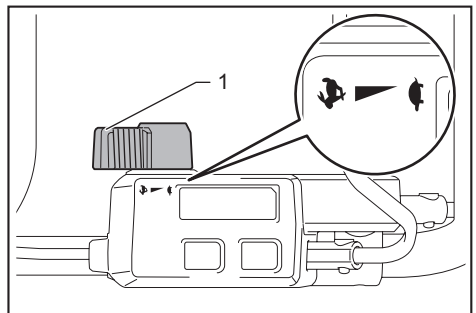
1. Remove the upper bolts of the lower handle using box wrench 13, and then loosen the lower bolts.



► 1. Upper bolt 2. Lower bolt

2. Adjust the handle height, and then tighten the upper and lower bolts firmly.

## Adjusting the traveling speed



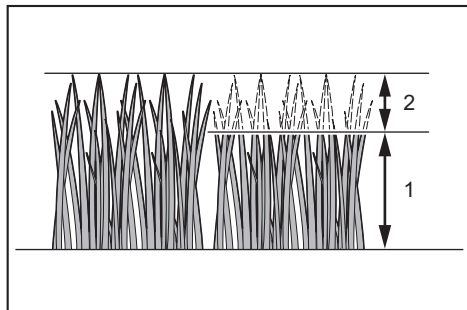
► 1. Speed lever

The traveling speed can be adjusted with the speed lever. To decrease the speed, pull the lever toward you, and to increase the speed, turn the lever forward.

## Using mulching plug

The mulching plug allows you to return the cut grass to the ground without gathering the cut grass in the grass basket. When you operate the machine with the mulching plug, be sure to remove the grass basket.

**NOTICE:** When using the machine with the mulching plug, make sure that the total length of grass after cutting is 30 mm (1-3/16") or more, and the cut length is 15 mm (9/16") or less.



- (1) 30 mm (1-3/16") or more (2) 15 mm (9/16") or less

## Using the rear discharge

Using the rear discharge allows you to discharge the cut grass to the ground from the rear side of the machine without gathering the cut grass in the grass basket. When you operate the machine using the rear discharge, be sure to remove the grass basket and mulching plug, and close the rear cover.

## Electronic function

The machine is equipped with the electronic functions for easy operation.

- Constant speed control of blade rotation  
Electronic speed control for obtaining constant speed. Possible to get fine finish, because the rotating speed is kept constant even under load condition.
- Soft start at driving  
The soft-start function minimizes start-up shock, and makes the machine start smoothly.
- Electric brake  
This machine is equipped with an electric brake. If the machine consistently fails to quickly stop the mower blades after releasing the switch lever, have the machine serviced at Makita Authorized Service Center.

## OPERATION

### Mowing

**⚠WARNING:** Before mowing, clear away sticks and stones from mowing area. Furthermore, clear away any weeds from mowing area in advance.

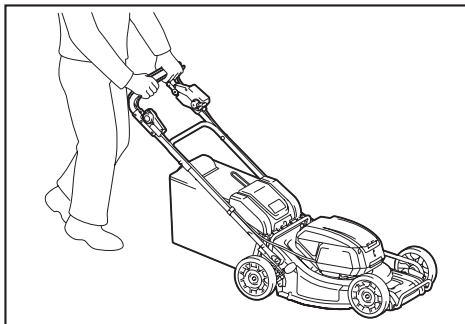
**⚠WARNING:** Always wear the safety goggles or safety glasses with side shields when operating the mower.

**⚠CAUTION:** If the cut grass or foreign object blocks up inside of the mower body, be sure to remove the lock key and battery cartridge and wear gloves before removing the grass or foreign object.

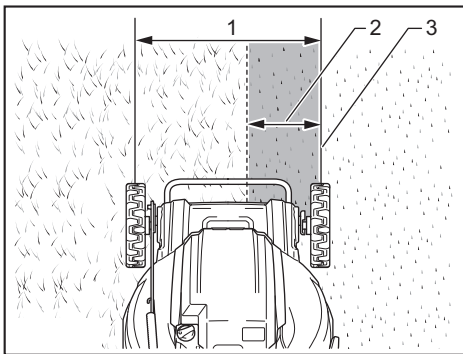
**NOTICE:** Use this machine for mowing lawn only. Do not mow weeds with this machine.



Firmly hold the handle with both hands when mowing. The mowing speed guideline is approximately 7 to 14 meters (23 - 46 ft.) per 10 seconds.

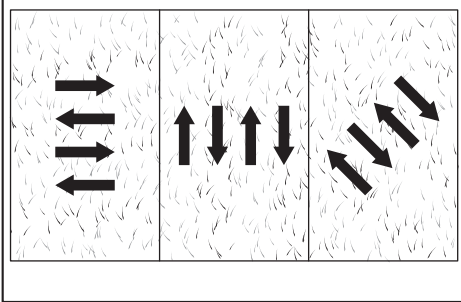


The center lines of the front wheels are guidelines to mowing width. Using the center lines as guidelines, mow in strips. Overlap by one half to one third the previous strip to mow the lawn evenly.



► 1. Mowing width 2. Overlapping area 3. Center line

Change the mowing direction each time to prevent the grass grain pattern from forming in just one direction.

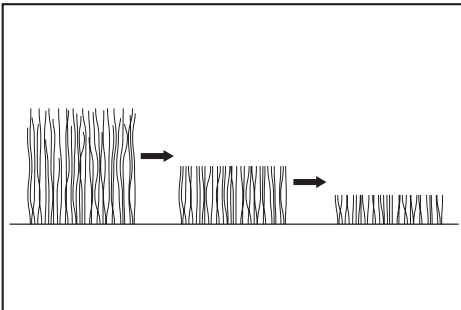


Periodically check the grass basket for mowed grass. Empty the grass before it becomes full. Before every periodical check, be sure to stop the mower then remove the lock key and the battery cartridge.

**NOTICE:** Using the mower with the grass basket full prevents smooth blade rotation and places an extra load on the motor, which may cause breakdown.

### Mowing a long-grass lawn

Do not try to cut long grass all at once. Instead, mow the lawn in steps. Leave a day or two between mowings until the lawn becomes evenly short.

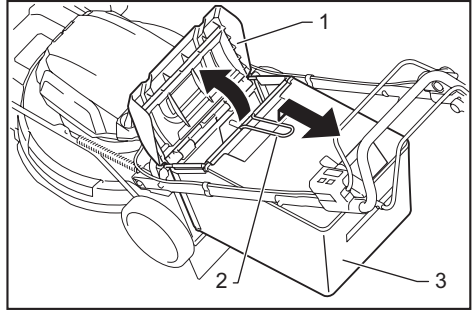


**NOTE:** Mowing long grass to a short length all at once may cause the grass to die. The cut grass may also block up inside of the mower body.

### Emptying the grass basket

**WARNING:** To reduce a risk of accident, regularly check the grass basket for any damage or weakened strength. Replace the grass basket if necessary.

1. Release the switch lever and drive lever.
2. Remove the lock key.
3. Open the rear cover and take out the grass basket by holding the handle.



► 1. Rear cover 2. Handle 3. Grass basket

4. Empty the grass basket.

### MAINTENANCE

**WARNING:** Always be sure that the lock key and battery cartridge are removed from the mower before storing or carrying the mower or attempting to perform inspection or maintenance.

**WARNING:** Always remove the lock key when the mower is not in use. Store the lock key in a safe place out of reach of children.

**WARNING:** Wear gloves when performing inspection or maintenance.

**WARNING:** Always wear the safety goggles or safety glasses with side shields when performing inspection or maintenance.

**NOTICE:** Never use gasoline, benzene, thinner, alcohol or the like. Discoloration, deformation or cracks may result.

To maintain product SAFETY and RELIABILITY, repairs, any other maintenance or adjustment should be performed by Makita Authorized or Factory Service Centers, always using Makita replacement parts.

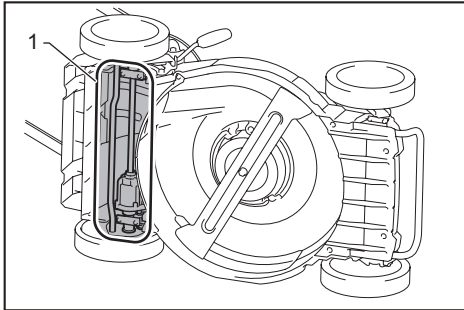
### Maintenance

1. Remove the lock key and battery cartridges, and then close the battery cover.
2. Put the mower on its side and clean grass clippings accumulated on the underside of mower deck.
3. Pour water toward the bottom of the machine to which the blade is attached.

**NOTICE:** Do not wash the machine with high pressure water.

4. Check all nuts, bolts, knobs, screws, fasteners etc. for tightness.
5. Inspect moving parts for damage, breakage, and wear. Damaged or missing parts should be repaired or replaced.
6. Store the mower in a safe place out of the reach of children.

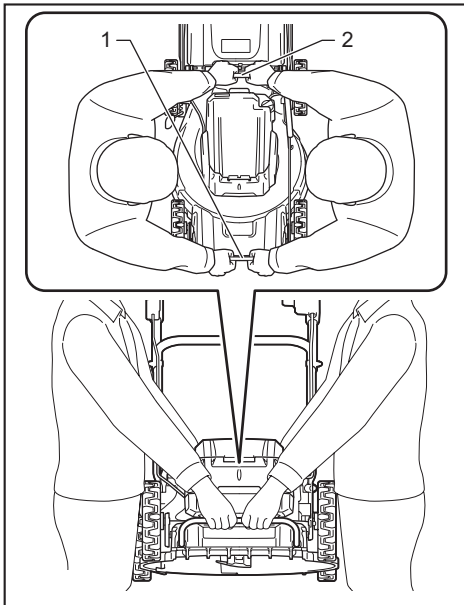
**NOTICE:** Do not pour water to the area shown in the figure. Pouring water to the motor unit may cause a malfunction of the machine.



- 1. Area where water should not be poured

## Carrying the mower

When carrying the mower, hold the front grip and rear grip with two people as shown in the figure.



- 1. Front grip 2. Rear grip

## Storing

Store mower indoors in a cool, dry and locked place. Don't store the mower and charger in locations where the temperature may reach or exceed 40 °C (104 °F).

## Removing or installing the mower blade

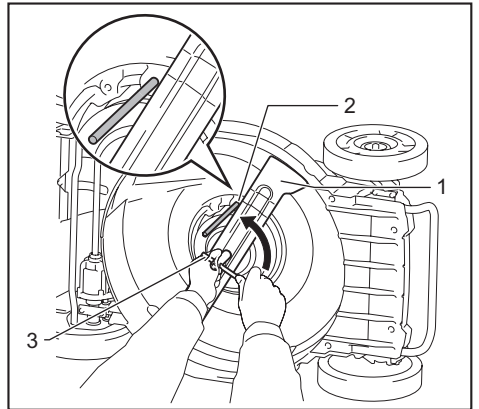
**⚠WARNING:** The blade coasts for a few seconds after releasing the switch. Do not start any operation until the blade comes to a complete stop.

**⚠WARNING:** Always remove the lock key and battery cartridge when removing or installing the blade. Failure to remove the lock key and battery cartridge may cause a serious injury.

**⚠WARNING:** Always wear gloves when handling the blade.

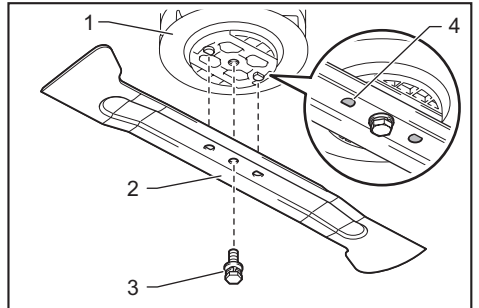
## Removing the mower blade

1. Put the mower on its side so that the mowing height adjusting lever comes to the upper side.
2. To lock the blade, insert the pin into a hole on the mower body.
3. Turn the bolt counterclockwise with box wrench 17.



- 1. Mower blade 2. Pin 3. Box wrench

4. Remove the bolt, and then mower blade.



- 1. Blade support 2. Mower blade 3. Bolt  
4. Protrusion

**NOTICE:** When installing the mower blade, make sure that the protrusions on the blade support fit in the holes in the mower blade.

**NOTICE:** After installing the mower blades, remove the pin from the mower body.

To install the mower blades, perform the removal procedure in reverse.

## Installing the mower blade

**⚠WARNING:** Install the mower blade carefully. It has a top/bottom facing.

**⚠WARNING:** Tighten the bolt clockwise firmly to secure the blade.

**⚠WARNING:** Make sure that the mower blade and all the fixing parts are installed correctly and tightened securely.

**⚠WARNING:** When you replace the blades, always follow the instructions provided in this manual.

## TROUBLESHOOTING

Before asking for repairs, conduct your own inspection first. If you find a problem that is not explained in the manual, do not attempt to disassemble the machine. Instead, ask Makita Authorized Service Centers, always using Makita replacement parts for repairs.

State of abnormality	Probable cause (malfunction)	Remedy
Mower does not start.	Two battery cartridges are not installed.	Install two charged battery cartridges.
	Battery problem (under voltage)	Recharge the battery cartridge. If recharging is not effective, replace battery cartridge.
	The lock key is not inserted.	Insert the lock key.
	Battery selection switch is not in the correct position.	Select the battery port to which the battery cartridges are installed using the battery selection switch.
Motor stops running after a little use.	Battery's charge level is low.	Recharge the battery cartridge. If recharging is not effective, replace battery cartridge.
	Cutting height is too low.	Increase the cutting height.
	Cut grass is clogged in the mower.	Remove the clogged grass from the mower.
Motor does not reach maximum RPM.	Battery cartridge is installed improperly.	Install the battery cartridge as described in this manual.
	Battery power is dropping.	Recharge the battery cartridge. If recharging is not effective, replace battery cartridge.
	The drive system does not work correctly.	Ask your local authorized service center for repair.
Mower blade does not rotate: ⇒ stop the mower immediately!	Foreign object such as a branch is jammed near the blade.	Remove the foreign object.
	The drive system does not work correctly.	Ask your local authorized service center for repair.
Abnormal vibration: ⇒ stop the mower immediately!	Blade is imbalanced, excessively or unevenly worn.	Replace the blade.



## OPTIONAL ACCESSORIES

**⚠ CAUTION:** These accessories or attachments are recommended for use with your Makita machine specified in this manual. The use of any other accessories or attachments might present a risk of injury to persons. Only use accessory or attachment for its stated purpose.

If you need any assistance for more details regarding these accessories, ask your local Makita Service Center.

- Mower blade
- Makita genuine battery and charger

**NOTE:** Some items in the list may be included in the product package as standard accessories. They may differ from country to country.

## MAKITA LIMITED WARRANTY

Please refer to the annexed warranty sheet for the most current warranty terms applicable to this product. If annexed warranty sheet is not available, refer to the warranty details set forth at below website for your respective country.

United States of America: [www.makitatools.com](http://www.makitatools.com)

Canada: [www.makita.ca](http://www.makita.ca)

Other countries: [www.makita.com](http://www.makita.com)

## ESPECIFICACIONES

Modelo:	<b>XML09</b>
Amplitud de corte del césped (diámetro de la cuchilla)	534 mm (21")
Velocidad sin carga	2 300 r/min
Velocidad máxima	2 800 r/min
Número de pieza de la cuchilla de repuesto de la cortadora de césped	191D52-7
Dimensiones (La x An x Al)	Largo: 1 655 mm a 1 740 mm (65" a 68-1/2") An.: 590 mm (23-1/4") Alto: 990 mm a 1 100 mm (39" a 43-1/4")
Velocidad de recorrido	2,5 km/h - 5,0 km/h (1,6 mile/h - 3,1 mile/h)
Tensión nominal	36 V c.c.
Peso neto	43 kg - 47 kg (96 lbs - 104 lbs)
Grado de protección	IPX4

- Debido a nuestro continuo programa de investigación y desarrollo, las especificaciones aquí incluidas están sujetas a cambio sin previo aviso.
- Las especificaciones pueden variar de país a país.
- El peso puede variar en función de los accesorios, incluido el cartucho de batería. En la tabla se muestra la combinación de peso más ligero y más pesado conforme al procedimiento 01/2014 de EPTA.

## Cartucho de batería y cargador aplicables

Cartucho de batería	BL1815N / BL1820B / BL1830 / BL1830B / BL1840B / BL1850B / BL1860B
Cargador	DC18RC / DC18RD / DC18RE / DC18SD / DC18SE / DC18SF / DC18SH

- Algunos de los cartuchos de batería y cargadores enumerados arriba podrían no estar disponibles dependiendo de su área de residencia.

**⚠ ADVERTENCIA:** Use únicamente los cartuchos de batería y los cargadores indicados arriba. El uso de cualquier otro cartucho de batería y cargador podría ocasionar una lesión y/o un incendio.

## ADVERTENCIAS DE SEGURIDAD

### INSTRUCCIONES IMPORTANTES DE SEGURIDAD

**⚠ ADVERTENCIA:** Al utilizar cortadoras de césped eléctricas, siempre deben tomarse en cuenta las precauciones básicas de seguridad a fin de reducir el riesgo de incendio, descarga eléctrica y lesiones personales, incluyendo lo siguiente.

### Lea todas las instrucciones

Lea, comprenda y siga todas las instrucciones en la cortadora de césped y en los manuales de instrucciones. Familiarícese detalladamente con los controles y el uso apropiado de la cortadora de césped antes de empezar.

### ⚠ ADVERTENCIA!

#### Capacitación

1. **Esta cortadora de césped es capaz de amputar las manos y los pies, así como de lanzar objetos. El no seguir las instrucciones de seguridad indicadas a continuación podría ocasionar lesiones graves o la muerte.**
2. **Solamente permita que los adultos responsables que estén familiarizados con las instrucciones operen la cortadora de césped.**

#### Preparación

1. **Mantenga a los niños alejados** - Todos los visitantes deberán ser mantenidos a una distancia segura del área de trabajo. Esté alerta y apague la cortadora de césped si algún niño ingresa al área. Tenga especial cuidado al aproximarse a esquinas poco visibles, arbustos, árboles u otros objetos que le impidan divisar a algún niño.
2. **Use vestimenta adecuada** - No use prendas sueltas ni joyas. Estas podrían engancharse en las piezas móviles. Cuando se trabaje en exteriores es recomendable usar guantes de hule y un calzado resistente. No opere la cortadora de césped estando descalzo o con sandalias abiertas.

3. **Use gafas de seguridad** - Siempre utilice careta o máscara contra polvo si la operación es polvorienta.
4. **Los objetos que sean golpeados por la cuchilla de la cortadora de césped pueden causar lesiones personales graves. El césped debe ser examinado cuidadosamente y despejado de cualquier objeto antes de proceder a cortar. Manténgase detrás del mango cuando el motor esté funcionando.**
5. **Asegúrese de que no haya otras personas en el área de trabajo antes de cortar el césped. Detenga la cortadora de césped en caso de que alguna persona ingrese al área.**
6. **No inserte la llave de cierre en la cortadora de césped hasta que esté lista para usarse.**
7. **Esté alerta de hoyos, surcos, protuberancias, piedras u otros objetos ocultos.** Las superficies no niveladas pueden ocasionar resbalones y caídas accidentales. El césped alto puede ocultar algunos obstáculos.
8. **Revise cuidadosamente que las cuchillas o los pernos de las cuchillas no tengan grietas o daños antes de la operación. Reemplace inmediatamente las cuchillas o los pernos de las cuchillas que presenten grietas o daños.**
9. **No inserte ni retire la llave de cierre bajo la lluvia.**

#### Operación

1. **Evite los entornos peligrosos** - Nunca use la cortadora de césped en lugares húmedos o mojados. Asegúrese siempre de pisar sobre suelo firme: mantenga una sujeción firme del mango y camine; nunca corra.
2. **No usar bajo la lluvia.**
3. **Use el aparato indicado** - No utilice la cortadora de césped para cualquier trabajo excepto para el que fue diseñada.
4. **No fuerce la cortadora de césped** - Ésta hará el trabajo mejor y de forma más segura a la velocidad para la que fue diseñada.
5. **No utilice el aparato donde no alcance** - Mantenga los pies sobre suelo firme y el equilibrio en todo momento. No pise cerca de declives, zanjas o diques. Podría perder su equilibrio o su estabilidad al pisar.
6. **Manténgase alerta** - Preste atención a lo que está haciendo. Use el sentido común. No utilice la cortadora de césped cuando esté cansado. No opere la máquina cuando esté bajo la influencia de alcohol o drogas. Un momento de distracción mientras opera la cortadora de césped puede ocasionar lesiones personales graves.
7. **Quite la batería de la cortadora de césped** - Quite la batería si no la está usando, y antes de dar mantenimiento, limpiarla, retirar material acumulado en la cortadora de césped o reemplazar accesorios tales como las cuchillas de la cortadora de césped y similares.
8. **Mantenga las manos y los pies alejados del área de corte. Manténgase alejado de la abertura de descarga en todo momento.**
9. **Si la cortadora de césped llega a golpear algún objeto extraño, siga los pasos a continuación:**
  - Pare la cortadora de césped. Suelte el interruptor. Espere hasta que la cuchilla se detenga por completo.
  - Retire la llave de cierre y el cartucho de batería.
  - Inspeccione la cortadora de césped para ver si hay algún daño.
  - Repare cualquier daño antes de reiniciar y usar la cortadora de césped. Reemplace la cuchilla si presenta algún tipo de daño.
10. **Nunca dirija el material de desecho hacia ninguna persona. Evite descargar el material de desecho contra alguna pared u obstrucción.** El material puede rebotar y dirigirse al operador. Detenga la cuchilla al atravesar superficies con grava.
11. **No jale la cortadora de césped hacia atrás a menos que sea absolutamente necesario.** Cuando sienta que debe hacer retroceder la cortadora de césped para alejarla de alguna valla u obstrucción similar, mire hacia abajo y detrás de usted antes de desplazarse hacia atrás.
12. **Libere la palanca interruptora y espere a que la rotación de la cuchilla se detenga antes de cruzar avenidas, caminos, calles y cualquier área cubierta con grava.** También retire la llave de cierre en caso de dejar la máquina, levantar o quitar algo del camino, o por alguna otra razón que pueda distraerlo de lo que está haciendo.
13. **No opere la máquina sin que el recolector de césped, protector de descarga, protector trasero o cualquier otro dispositivo de seguridad estén en su lugar y funcionando.**
14. **Pare el motor y retire la llave de cierre siempre que deje el equipo, antes de limpiar la cortadora de césped o despejar alguna obstrucción en la tolva y efectuar alguna reparación o inspección.**
15. **Apague el motor y espere a que la cuchilla se haya detenido por completo antes de quitar el recolector de césped.** Tenga en cuenta que las cuchillas siguen girando por inercia después de apagar la herramienta.
16. **Corte el césped solamente a la luz del día o en buenas condiciones de iluminación artificial.**
17. **Si la cortadora de césped empieza a vibrar de manera anormal (revisela de inmediato)** - inspeccione para ver que no haya algún daño, - reemplace o repare cualquier pieza dañada, - revise y apriete cualquier pieza suelta.
18. **No sujete las cuchillas ni los bordes de corte expuestos al levantar o sostener el aparato.**
19. **Nunca intente hacer ajustes en la altura de corte mientras la cortadora de césped esté funcionando, si ésta cuenta con la característica de ajuste en la altura de corte.**
20. **Corte el césped transversalmente a través de las pendientes, nunca hacia arriba ni hacia abajo. Aplique extrema precaución al cambiar la dirección en las pendientes. Evite cortar el césped en pendientes excesivamente inclinadas.** El no pisar sobre suelo firme puede ocasionar resbalones y caídas accidentales.

21. Evite usar la cortadora de césped en pasto húmedo.
22. Pare la operación inmediatamente si nota algo anormal. Apague la cortadora de césped y retire la llave de cierre. Luego revise la cortadora de césped.
23. No ponga en marcha la cortadora de césped cuando esté enfrente de la abertura de descarga.
24. Evite usar la cortadora de césped en condiciones de mal clima, especialmente cuando exista riesgo de rayos.
25. Cuando utilice la máquina sobre suelo embarrado, inclinaciones mojadas o superficies resbalosas, tenga cuidado al pisar.
26. Evite trabajar en un entorno deficiente donde sea probable que aumente la fatiga del usuario.
27. No utilice la máquina cuando las condiciones climáticas no sean buenas y la visibilidad sea limitada. En caso contrario se podrían ocasionar caídas u operaciones incorrectas debido a la baja visibilidad.
28. No sumerja la máquina en los charcos.
29. Cuando debido a la lluvia se adhieran hojas mojadas o tierra a la abertura de succión (ventana de ventilación), retirelas.
30. No utilice la máquina en la nieve.
31. Si el pasto cortado está húmedo, probablemente se atascará en el interior de la máquina. Verifique el estado de la máquina regularmente, y retire el pasto adherido según sea necesario.
32. Cuando opere la máquina, preste atención a las tuberías y al cableado.
33. No use ningún alimentador con cableado eléctrico como un adaptador para batería o una unidad portátil de alimentación eléctrica con esta máquina. El cable de dicho alimentador podría impedir la operación y ocasionar una lesión personal.
6. Revise el canasto para césped con frecuencia para ver si presenta desgaste o deterioro. Al almacenar el equipo, asegúrese siempre de vaciar el canasto para césped. Por seguridad, reemplace un canasto para césped desgastado con un repuesto nuevo de fábrica.
7. Verifique con frecuencia los componentes del canasto para césped y el protector de descarga y reemplace con las piezas de repuesto recomendadas por el fabricante en caso necesario.
8. Revise el perno de instalación de la cuchilla a intervalos frecuentes para asegurar una fijación apropiada.
9. Mantenga apretadas todas las tuercas, pernos y tornillos para asegurar que el equipo se encuentre en condiciones seguras de operación.
10. Nunca quite ni altere los dispositivos de seguridad. Verifique con regularidad que funcionen correctamente. Nunca haga nada que interfiera con la función para la que un dispositivo de seguridad fue diseñado, ni reduzca la protección ofrecida por algún dispositivo de seguridad.
11. Tenga cuidado al realizar algún ajuste de la cortadora de césped para evitar que los dedos queden atrapados entre las cuchillas móviles y las piezas fijas de la cortadora de césped.
12. Siempre deje que la cortadora de césped se enfríe antes de almacenarla.
13. Cuando vaya a dar servicio a las cuchillas, tenga en cuenta que aunque la fuente de alimentación haya sido desconectada, las cuchillas podrán seguir moviéndose.
14. Mantenga en su lugar o vuelva a colocar las etiquetas de seguridad y de instrucciones según se requiera.
15. No deje la máquina desatendida a la intemperie bajo la lluvia.
16. No lave la máquina con agua a alta presión.
17. Al lavar la máquina, asegúrese de retirar la batería y la llave de cierre y de cerrar la cubierta de la batería, y vierta agua sobre la parte inferior de la máquina a la que está acoplada la cuchilla.

#### **Mantenimiento y almacenamiento**

1. **Almacene la cortadora de césped en interiores cuando no esté en uso** - Cuando no se esté utilizando, la cortadora de césped deberá almacenarse en interiores en un lugar seco, bajo llave y fuera del alcance de los niños.
  2. **Dé un debido mantenimiento a la cortadora de césped** - Mantenga los bordes de corte afilados y limpios para un mejor desempeño y mayor seguridad. Siga las instrucciones para la lubricación y cambio de accesorios. Inspeccione la cortadora de césped periódicamente y en caso de presentar daños, solicite su reparación a un centro de servicio autorizado. Mantenga los mangos secos, limpios y libres de aceite y grasa.
  3. **Mantenga la máquina libre de la acumulación de césped, hojas y otros residuos. Mantenga los protectores en su sitio y en buen estado de funcionamiento.**
  4. **Mantenga las cuchillas afiladas.**
  5. **Use solamente cuchillas de repuesto idénticas.**
  18. **Almacene la máquina lejos de la lluvia y la luz directa del sol y en un sitio donde no haga calor ni haya humedad.**
  19. **Realice las inspecciones y labores de mantenimiento en un sitio protegido de la lluvia.**
  20. **Después de utilizar la máquina, quite la suciedad adherida y séquela completamente antes de guardarla.** Dependiendo de la estación o de la zona, existe el riesgo de un mal funcionamiento por congelación.
- Uso y cuidado de la herramienta a batería**
1. **Evite una puesta en marcha accidental.** Asegúrese de que el interruptor esté en la posición apagada antes de conectar el paquete de baterías, levantar la herramienta o cargarla. Cargar la herramienta con su dedo en el interruptor o pasar energía a la herramienta con el interruptor encendido puede propiciar accidentes.

2. **Desconecte el paquete de baterías de la herramienta antes de hacer cualquier ajuste, cambiar accesorios o almacenar la herramienta.** Estas medidas de seguridad preventivas reducen el riesgo de poner en marcha la herramienta accidentalmente.
3. **Recargue sólo con el cargador especificado por el fabricante.** Un cargador que sea adecuado para un tipo específico de paquete de batería puede generar un riesgo de incendio al usarse con un paquete de batería distinto.
4. **Use las herramientas únicamente con los paquetes de baterías designados específicamente para ellas.** El uso de otros paquetes de baterías puede generar riesgo de lesiones e incendio.
5. **Cuando no se esté usando el paquete de batería, manténgalo alejado de otros objetos metálicos, como sujetapapeles (clips), monedas, llaves, clavos, tornillos u otros objetos pequeños de metal que puedan crear una conexión entre una terminal y otra.** Causar un cortocircuito en las terminales de la batería puede provocar quemaduras o incendio.
6. **En condiciones de mal uso, podría escapar líquido de la batería; evite el contacto. Si toca el líquido accidentalmente, enjuague con agua. Si hay contacto del líquido con los ojos, solicite atención médica.** El líquido expulsado de la batería puede causar irritación o quemaduras.
7. **No utilice un paquete de baterías o una herramienta que esté dañado/dañada o haya sido modificado/modificada.** Las baterías dañadas o modificadas podrían comportarse de manera impredecible causando un incendio, explosión o riesgo de lesión.
8. **No exponga un paquete de baterías o una herramienta al fuego o a una temperatura excesiva.** La exposición al fuego a una temperatura superior a 130 °C (265 °F) podría causar una explosión.
9. **Siga todas las instrucciones relativas a la carga y no cargue el paquete de baterías o la herramienta fuera del rango de temperatura especificado en las instrucciones.** Cargar de manera inapropiada o a temperaturas fuera del rango especificado podría dañar la batería e incrementar el riesgo de incendio.
10. **Pida que el servicio lo realice un técnico en reparaciones calificado y que utilice únicamente piezas de repuesto idénticas a las originales.** Esto garantizará que se mantenga la seguridad del producto.
11. **No modifique ni intente reparar la herramienta ni el paquete de baterías salvo como se indique en las instrucciones para el uso y cuidado.**

#### Seguridad eléctrica y de la batería

1. **No arroje la(s) batería(s) al fuego.** La celda podría explotar. Consulte los códigos locales para ver si hay instrucciones especiales relativas al desecho.
2. **No abra ni dañe la(s) batería(s).** Los electrolitos liberados son corrosivos y pueden ocasionar daños en los ojos o la piel. Pueden ser tóxicos si se llegan a tragar.

3. **No cargue la batería bajo la lluvia ni en lugares mojados.**
4. **No cargue la batería en exteriores.**
5. **No manipule el cargador, incluida la clavija del cargador, ni los terminales con las manos mojadas.**
6. **No cargue la cortadora de césped bajo la lluvia ni en lugares húmedos.**
7. **Al cambiar baterías, todas las baterías deberán ser cambiadas al mismo tiempo.** Mezclar baterías nuevas con descargadas podría aumentar la presión interna en las celdas y romper la batería descargada.
8. **Tenga cuidado al manipular las baterías a fin de evitar un cortocircuito en la batería con materiales conductores tales como anillos, pulseras y llaves.** La batería o conductor podrían sobrecalentarse y causar quemaduras.
9. **No reemplace la batería bajo la lluvia.**
10. **No moje el terminal de la batería con líquidos, como el agua, ni sumerja la batería en ellos. No deje la batería bajo la lluvia, ni cargue, utilice, o guarde la batería en un lugar húmedo o mojado.** Si el terminal se moja o entra líquido dentro de la batería, la batería puede sufrir un cortocircuito, con el consiguiente riesgo de sobrecalentamiento, incendio o explosión.
11. **Después de retirar la batería de la máquina o el cargador, asegúrese de acoplar la cubierta de la batería a la batería y de guardarla en un lugar seco.**
12. **No reemplace la batería con las manos mojadas.**

#### Servicio

1. **El servicio de su herramienta eléctrica deberá ser realizado por un técnico calificado usando solamente piezas de repuesto idénticas.** Esto garantizará que se mantenga la seguridad de su herramienta eléctrica.
2. **Nunca dé servicio a paquetes de baterías que estén dañados.** El servicio a los paquetes de baterías solamente deberá ser efectuado por el fabricante o agentes de servicio autorizados.

## GUARDE ESTAS INSTRUCCIONES.

**⚠️ ADVERTENCIA:** El uso de este producto puede producir polvo que contenga sustancias químicas que podrían causar enfermedades respiratorias o de otro tipo. Algunos ejemplos de estas sustancias químicas son los compuestos encontrados en pesticidas, insecticidas, fertilizantes y herbicidas.

El riesgo al que se expone varía, dependiendo de la frecuencia con la que realice este tipo de trabajo. Para reducir la exposición a estas sustancias químicas: trabaje en un área bien ventilada y use un equipo de seguridad aprobado, tal como las máscaras contra polvo que están especialmente diseñadas para filtrar partículas microscópicas.

## Símbolos

A continuación se muestran los símbolos utilizados para la herramienta.

V	volts o voltios
— — —	corriente directa o continua
$n_0$	velocidad sin carga
... /min r /min	revoluciones o alternaciones por minuto, frecuencia de rotación

## Instrucciones importantes de seguridad para el cartucho de batería

1. Antes de utilizar el cartucho de batería, lea todas las instrucciones e indicaciones de precaución en el (1) el cargador de batería, (2) la batería, y (3) el producto con el que se utiliza la batería.
2. No desarme el cartucho de batería.
3. Si el tiempo de operación se ha acortado en exceso, deje de operar de inmediato. Podría correrse el riesgo de sobrecalentamiento, posibles quemaduras e incluso explosión.
4. En caso de que ingresen electrolitos en sus ojos, enjuáguelos bien con agua limpia y consulte de inmediato a un médico. Esto podría ocasionar pérdida de visión.
5. Evite cortocircuitar el cartucho de batería:
  - (1) No toque las terminales con ningún material conductor.
  - (2) Evite guardar el cartucho de batería en un cajón junto con otros objetos metálicos, tales como clavos, monedas, etc.
  - (3) No exponga el cartucho de batería al agua o la lluvia.

Un cortocircuito en la batería puede causar un flujo grande de corriente, sobrecalentamiento, posibles quemaduras e incluso una descompostura.

6. No guarde la herramienta ni el cartucho de batería en lugares donde la temperatura pueda alcanzar o exceder los 50°C (122°F).
7. Nunca incinere el cartucho de batería incluso en el caso de que esté dañado seriamente o ya no sirva en absoluto. El cartucho de batería puede explotar si se tira al fuego.
8. Tenga cuidado de no dejar caer ni golpear la batería.
9. No use una batería dañada.
10. Las baterías de ión de litio están sujetas a los requisitos reglamentarios en materia de bienes peligrosos.

Para el transporte comercial, por ej., mediante terceros o agentes de transporte, se deben tomar en cuenta los requisitos especiales relativos al empaque y el etiquetado.

Para efectuar los preparativos del artículo que se va a enviar, se requiere consultar a un experto en materiales peligrosos. Si es posible, consulte además otras regulaciones nacionales más detalladas.

Pegue o cubra con cinta adhesiva los contactos abiertos y empaque la batería de manera que ésta no pueda moverse dentro del paquete.

11. **Para deshacerse del cartucho de batería, sáquelo de la herramienta y deséchelo en un lugar seguro. Siga las regulaciones locales relacionadas al desecho de las baterías.**
12. **Utilice las baterías únicamente con los productos especificados por Makita.** Instalar las baterías en productos que no cumplan con los requisitos podría ocasionar un incendio, un calentamiento excesivo, una explosión o una fuga de electrolito.
13. **Si no se utiliza la herramienta por un periodo largo, debe extraerse la batería de la herramienta.**

## GUARDE ESTAS INSTRUCCIONES.

**PRECAUCIÓN:** Utilice únicamente baterías originales de Makita. El uso de baterías no originales de Makita, o de baterías alteradas, puede ocasionar que las baterías exploten causando un incendio, lesiones personales y daños. Asimismo, esto invalidará la garantía de Makita para la herramienta y el cargador Makita.

## Consejos para alargar al máximo la vida útil de la batería

1. Cargue el cartucho de batería antes de que se descargue completamente. Pare siempre la operación y cargue el cartucho de batería cuando note menos potencia en la herramienta.
2. No cargue nunca un cartucho de batería que esté completamente cargado. La sobrecarga acortará la vida de servicio de la batería.
3. Cargue el cartucho de batería a una temperatura ambiente de 10 °C - 40 °C (50 °F - 104 °F). Si un cartucho de batería está caliente, déjelo enfriar antes de cargarlo.
4. Cargue el cartucho de batería si no va a utilizarlo durante un periodo prolongado (más de seis meses).

# MONTAJE

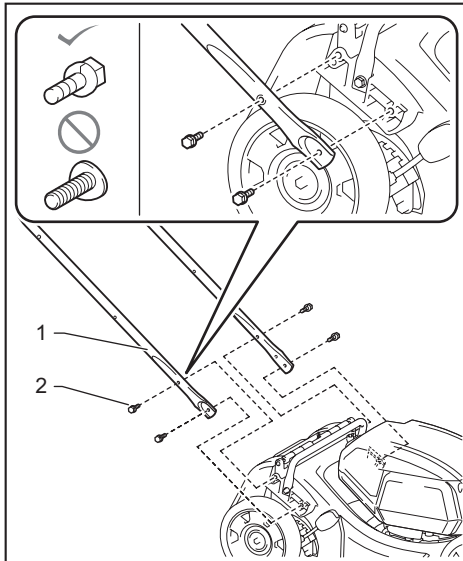
**⚠ADVERTENCIA:** Asegúrese siempre de que la llave de cierre y el cartucho de batería se hayan extraído antes de realizar cualquier trabajo en la cortadora de césped. El no extraer la llave de cierre y el cartucho de batería puede ocasionar lesiones personales graves debido a un encendido accidental.

**⚠ADVERTENCIA:** Nunca ponga en marcha la cortadora de césped a menos que se encuentre completamente ensamblada. La operación de la máquina parcialmente ensamblada puede ocasionar lesiones personales graves debido a un encendido accidental.

## Instalación del mango

**AVISO:** Cuando instale los mangos, posicione los cables de tal manera que no queden enganchados con nada entre los mangos. Si un cable está dañado, el interruptor de la cortadora de césped podría no funcionar.

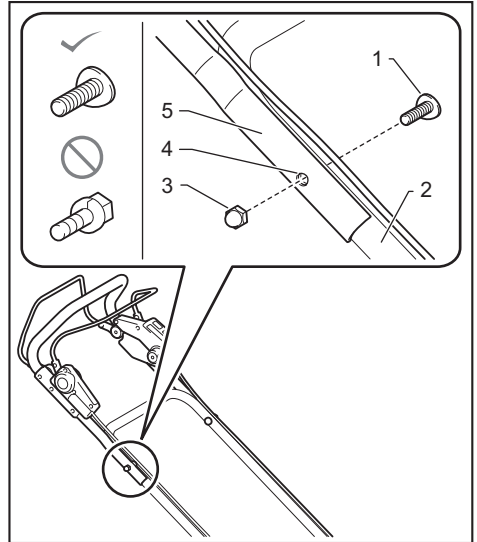
1. Alinee los orificios del mango inferior con los orificios en el cuerpo de la cortadora de césped, luego apriete los 4 pernos provisionalmente.



- 1. Mango inferior 2. Perno

2. Apriete firmemente los 4 pernos que se apretaron provisionalmente en el paso 1 con la llave de bujías 13.

3. Alinee el orificio del mango inferior con el orificio del mango superior, a continuación inserte el perno por el interior, luego apriete la tuerca por el exterior con la llave de bujías 13. Repita el mismo procedimiento en el otro lado.

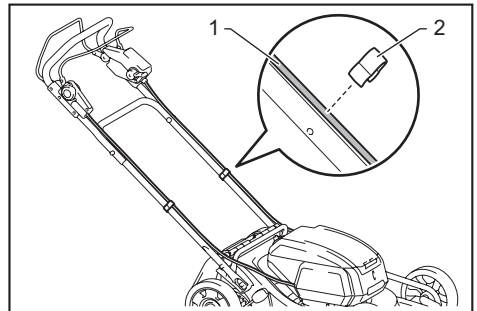


- 1. Perno 2. Mango inferior 3. Tuerca 4. Orificio 5. Mango superior

**⚠PRECAUCIÓN:** Sujete firmemente el mango superior de tal forma que no se desprenda de su mano. De lo contrario, el mango podría caerse y causar una lesión.

4. Fije los soportes al mango.

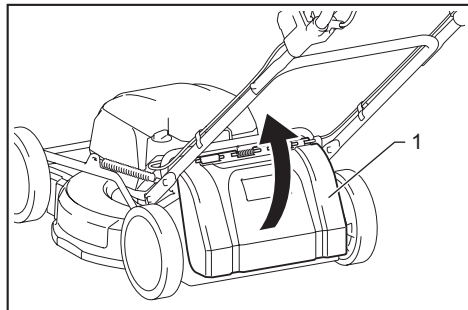
Alinee las protuberancias sobre el sujetador con los orificios del mango, para que las protuberancias quepan en los orificios. Coloque los cables tal como se muestra en la figura.



- 1. Cable 2. Sujetador

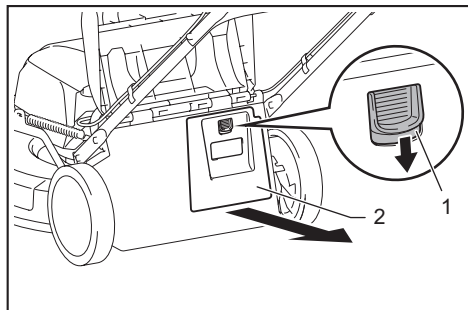
## Extracción del tapón para mantillo

1. Abra la cubierta posterior.



- 1. Cubierta posterior

2. Retire el tapón para mantillo mientras sostiene hacia abajo la palanca.

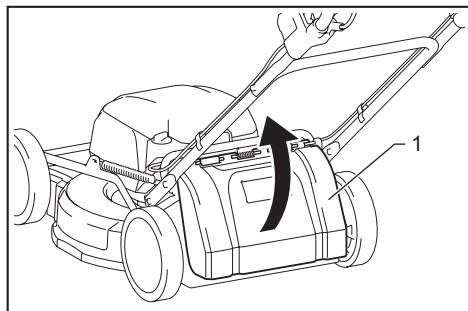


- 1. Palanca 2. Tapón para mantillo

## Instalación o remoción del canasto para césped

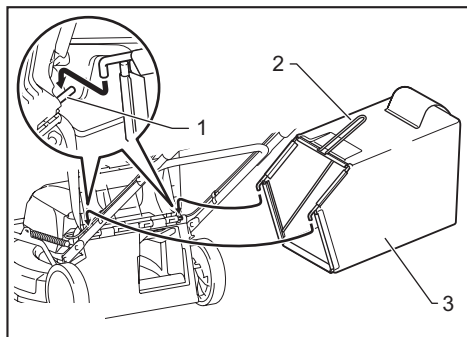
Para instalar el canasto para césped, siga los pasos a continuación.

1. Abra la cubierta posterior.



- 1. Cubierta posterior

2. Sostenga el mango del canasto para césped y luego enganche el canasto para césped en la barra del cuerpo de la cortadora de césped tal como se muestra en la figura.

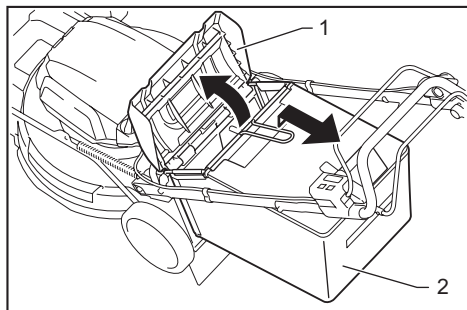


- 1. Barra 2. Mango 3. Canasto para césped

Para retirar el canasto para césped, abra la cubierta posterior y retire el canasto para césped tomándolo del mango.

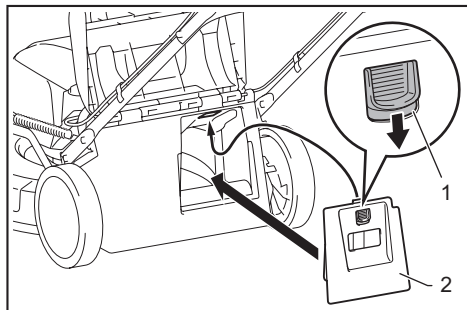
## Acoplamiento del tapón para mantillo

1. Abra la cubierta posterior y luego retire el canasto para césped.



- 1. Cubierta posterior 2. Canasto para césped

2. Acople el tapón para mantillo mientras presiona la palanca hacia abajo, y luego suelte la palanca para bloquear el tapón para mantillo.



- 1. Palanca 2. Tapón para mantillo



# DESCRIPCIÓN DEL FUNCIONAMIENTO

## Instalación o extracción del cartucho de batería

**⚠️ PRECAUCIÓN:** Apague siempre la máquina antes de instalar o extraer el cartucho de batería.

**⚠️ PRECAUCIÓN:** Sujete la máquina y el cartucho de batería con firmeza al colocar o quitar el cartucho de batería. Si no se sujeta con firmeza la máquina y el cartucho de batería, puede ocasionar que se resbalen de sus manos resultando en daños a la máquina y al cartucho de batería, así como lesiones a la persona.

**⚠️ PRECAUCIÓN:** Asegúrese de haber asegurado la cubierta de la batería antes de utilizar el equipo. De lo contrario, el lodo, la tierra o el agua pueden causar daños al producto o al cartucho de batería.

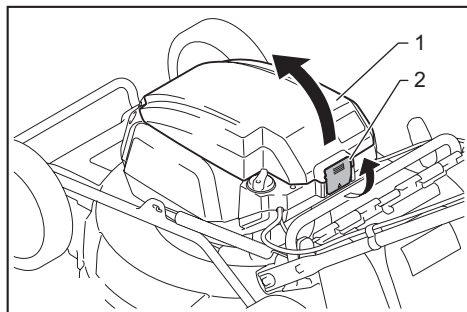
**⚠️ PRECAUCIÓN:** Siempre introduzca completamente el cartucho de batería hasta que el indicador rojo no pueda verse. Si no es así, éste podría caerse de la máquina ocasionándole una lesión a usted o a alguien más a su alrededor.

**⚠️ PRECAUCIÓN:** No instale el cartucho de batería a la fuerza. Si el cartucho no se desliza hacia adentro fácilmente, esto se debe a que no ha sido insertado correctamente.

**NOTA:** La máquina no funciona con solo un cartucho de batería.

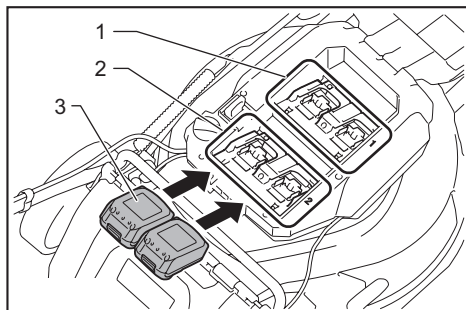
### Para instalar el cartucho de batería;

1. Jale hacia arriba la palanca de bloqueo y luego abra la cubierta de la batería.



- 1. Cubierta de la batería 2. Palanca de bloqueo

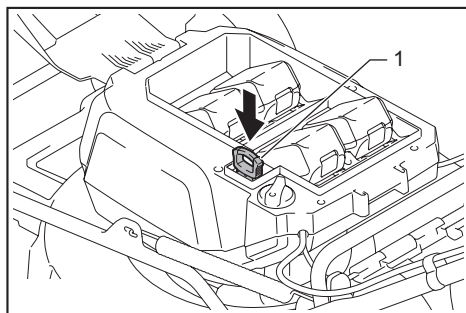
2. Alinee la lengüeta sobre el cartucho de batería con la ranura en la máquina y luego deslice el cartucho hasta que quede asegurado en su lugar y se escuche un clic.



- (1) Puerto para batería 1 (2) Puerto para batería 2  
(3) Cartucho de batería

**NOTA:** Instale al menos dos cartuchos de batería en el puerto para batería 1 o 2.

3. Inserte la llave de cierre hasta el fondo en el lugar que se muestra en la figura.



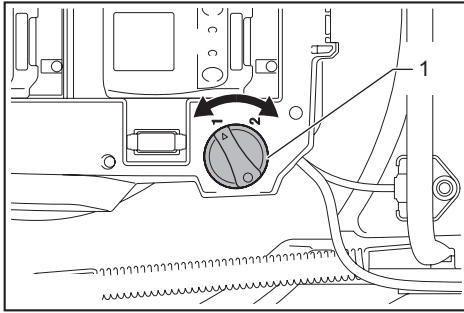
- 1. Llave de cierre

4. Cierre la cubierta de la batería y empújela hasta que quede trabada con la palanca de bloqueo.

### Para retirar el cartucho de batería;

1. Jale hacia arriba la palanca de bloqueo y abra la cubierta de la batería.
2. Jale el cartucho de batería para extraerlo de la máquina mientras desliza el botón en la parte delantera del cartucho.
3. Saque la llave de cierre.
4. Cierre la cubierta de la batería.

## Cambio de los cartuchos de batería



► 1. Interruptor de selección de baterías

La máquina utiliza 2 cartuchos de batería para operar a la vez. Se pueden instalar hasta cuatro cartuchos de batería en la máquina. Antes de operar la máquina, seleccione el puerto para batería 1 o puerto para batería 2 al girar el interruptor de selección de baterías.

**NOTA:** Si solo hay 2 cartuchos de batería instalados en la máquina, asegúrese de seleccionar el puerto de batería al cual están instalados los cartuchos de batería utilizando el interruptor de selección de baterías.

## Sistema de protección de la máquina/batería

Esta máquina está equipada con un sistema de protección de la máquina/batería. Este sistema corta automáticamente la alimentación al motor para prolongar la vida útil de la máquina y la batería. La máquina se detendrá automáticamente durante la operación si la máquina o la batería se someten a una de las siguientes condiciones.

### Protección contra sobrecarga

Cuando la batería sea utilizada de una manera que cause que consuma una cantidad anormalmente alta de corriente, la máquina se detendrá automáticamente y la luz indicadora de alimentación principal parpadeará en verde. En esta situación, apague la máquina y detenga la aplicación que haya causado que la máquina se sobrecargara. Luego encienda la máquina para volver a arrancarla.

### Protección contra sobrecalentamiento

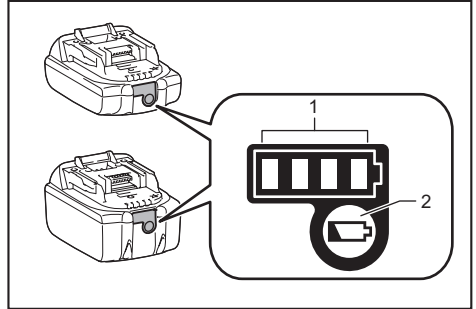
Cuando la máquina o la batería se sobrecalienten, la máquina se detendrá automáticamente y la luz indicadora de alimentación principal se encenderá en rojo. En este caso, permita que la máquina y la batería se enfríen antes de volver a encender la máquina.

### Protección en caso de sobredescarga

Cuando la capacidad de la batería no sea suficiente, la máquina se detendrá automáticamente y la luz indicadora de alimentación principal parpadeará en rojo. En este caso, extraiga la batería de la máquina y cargue los cartuchos de batería, o reemplace los cartuchos de batería por cartuchos completamente cargados.

## Indicación de la capacidad restante de la batería

Únicamente para cartuchos de batería con el indicador



► 1. Luces indicadoras 2. Botón de verificación

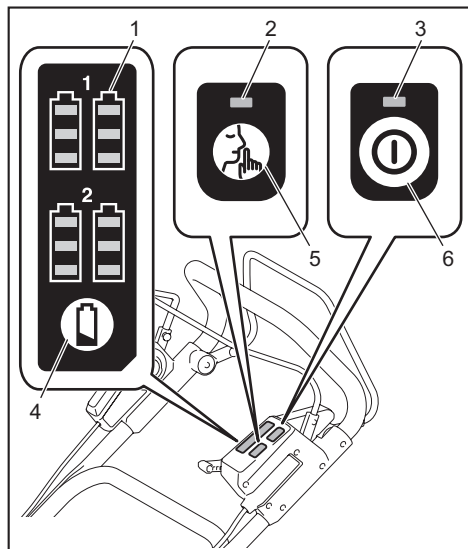
Oprima el botón de verificación en el cartucho de la batería para que indique la capacidad restante de la batería. Las luces indicadoras se iluminarán por algunos segundos.

Luces indicadoras			Capacidad restante
Iluminadas	Apagadas	Parpadeando	
■ ■ ■ ■			75% a 100%
■ ■ ■ □			50% a 75%
■ ■ □ □			25% a 50%
■ □ □ □			0% a 25%
▬ □ □ □			Cargar la batería.
■ ■ □ □			La batería pudo haber funcionado mal.
□ □ ■ ■			

**NOTA:** Dependiendo de las condiciones de uso y la temperatura ambiente, la indicación podrá diferir ligeramente de la capacidad real.

## Panel de control

El panel de control contiene el interruptor de alimentación principal, el botón de conmutación de modo, y el indicador de capacidad restante de la batería.



- 1. Indicador de batería 2. Luz indicadora de conmutación de modo 3. Luz indicadora de alimentación principal 4. Botón de verificación 5. Botón de conmutación de modo 6. Interruptor de alimentación principal

## Interruptor de alimentación principal

**⚠ ADVERTENCIA:** Siempre apague el interruptor de alimentación principal cuando no lo vaya a utilizar.

Para encender la máquina, oprima el interruptor de alimentación principal. La luz indicadora de alimentación principal se iluminará en verde. Para apagar la máquina, oprima nuevamente el interruptor de alimentación principal.

**NOTA:** Si la luz indicadora de alimentación principal se enciende en rojo o parpadea en rojo o en verde, consulte las instrucciones para ver lo referente al sistema de protección de la máquina/batería.

**NOTA:** Esta máquina emplea la función de apagado automático. Para evitar un arranque accidental, el interruptor de alimentación principal se desactivará automáticamente cuando la palanca interruptora y la palanca de accionamiento (si está equipada) no hayan sido jaladas durante cierto período después de haber activado el interruptor de alimentación principal.

## Botón de conmutación de modo

Puede conmutar el modo de operación pulsando el botón de conmutación de modo. Cuando se enciende, la máquina arranca en el modo normal. Cuando se oprime el botón de conmutación de modo, la máquina cambia al modo de reducción de ruido y la luz indicadora de conmutación de modo se enciende en verde. En el modo de reducción de ruido, se puede reducir el ruido cuando se corta el césped. Cuando se oprime de nuevo el botón de conmutación de modo, la máquina regresa al modo normal.

## Indicación de capacidad restante de la batería

Oprima el botón de verificación para indicar las capacidades restantes de la batería. Los indicadores de batería corresponden a cada batería.

Estado del indicador de batería		Capacidad restante de la batería
Encendido	Apagado	
		50% - 100%
		20% - 50%
		0% - 20%

**NOTA:** Las luces indicadoras que muestran la capacidad restante de la batería solo son para referencia. La capacidad real de la batería puede variar, según las condiciones de uso.

**NOTA:** Antes de que oprima el botón de verificación para indicar las capacidades restantes de la batería, detenga la máquina.

## Accionamiento del interruptor

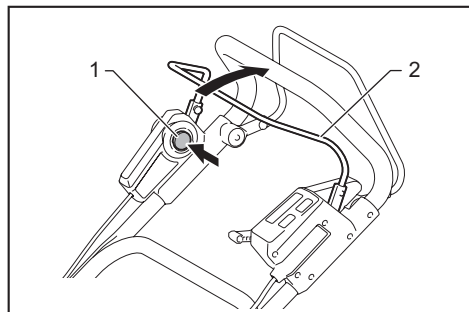
**⚠ ADVERTENCIA:** Antes de insertar el cartucho de batería, compruebe siempre que la palanca interruptora se acciona debidamente y que regresa a la posición original una vez que la suelta. Usar la máquina con un interruptor que no funciona adecuadamente puede ocasionar la pérdida del control y lesiones personales graves.

**NOTA:** La cortadora de césped no arranca si no se presiona el botón interruptor incluso al estar jalando la palanca interruptora.

**NOTA:** La cortadora de césped no arranca debido a la sobrecarga al intentar cortar césped largo o grueso de una sola vez. En este caso, aumente la altura de corte.

Esta cortadora de césped está equipada con la llave de cierre y un mango interruptor. Si observa alguna anomalía con cualquiera de la llave de cierre o el interruptor, detenga la operación de inmediato y llévelos a su centro de servicio autorizado de Makita más cercano para su inspección.

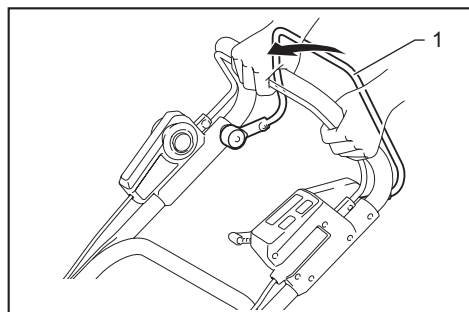
1. Instale los cartuchos de batería. Inserte la llave de cierre y luego cierre la cubierta de la batería.
2. Seleccione los cartuchos de batería utilizados para funcionamiento al girar el interruptor de selección de baterías.
3. Oprima el interruptor de alimentación principal.
4. Tire de la palanca interruptora hacia adelante mientras mantiene presionado el botón interruptor. Suelte el botón interruptor tan pronto como el motor arranque.



► 1. Botón interruptor 2. Palanca interruptora

**NOTA:** Si la llave de cierre no está insertada, la luz indicadora de alimentación parpadeará en verde cuando se jale la palanca interruptora.

5. Mientras sostiene la palanca interruptora, empuje la palanca de accionamiento hacia adelante y sosténgala para accionar las ruedas traseras.



► 1. Palanca de accionamiento

**NOTA:** Usted puede accionar las ruedas traseras al empujar la palanca de accionamiento hacia adelante y sosteniéndola sin jalar de la palanca interruptora.

6. Suelte la palanca de accionamiento y la palanca interruptora para detener la máquina.

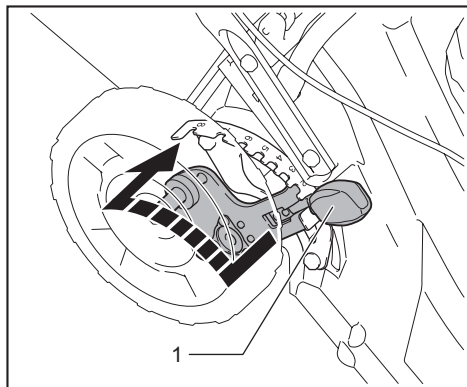
## Ajuste de la altura de corte del césped

**⚠ADVERTENCIA:** Nunca coloque su mano o pierna debajo del cuerpo de la cortadora de césped cuando esté ajustando la altura de corte del césped.

**⚠ADVERTENCIA:** Asegúrese siempre de que la palanca encaje correctamente en la ranura antes de la operación.

La altura de corte del césped puede ajustarse en un rango entre 32 mm (1-1/4") y 100 mm (3-15/16").

Retire la llave de cierre, y luego jale la palanca de ajuste de la altura de corte del césped hacia afuera del cuerpo de la cortadora de césped y muévala hasta la altura de corte deseada.

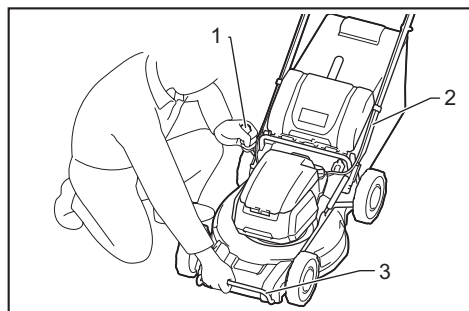


► 1. Palanca de ajuste de la altura de corte del césped

La tabla a continuación muestra la relación entre el número en el cuerpo de la cortadora de césped y la altura aproximada de corte del césped.

Número	Altura de corte del césped
1	32 mm (1-1/4")
2	39 mm (1-9/16")
3	47 mm (1-7/8")
4	55 mm (2-3/16")
5	63 mm (2-1/2")
6	74 mm (2-15/16")
7	86 mm (3-3/8")
8	100 mm (3-15/16")

Sujete la empuñadura delantera o el mango inferior con una mano, y luego mueva la palanca de ajuste de la altura de corte del césped con la otra mano.



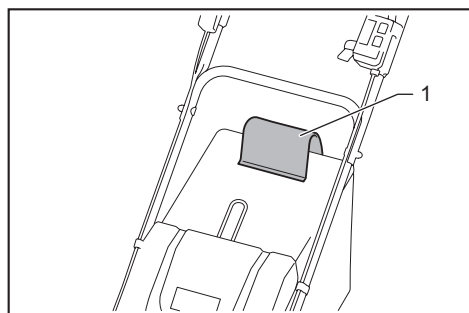
- 1. Palanca de ajuste de la altura de corte del césped 2. Mango inferior 3. Empuñadura delantera

**NOTA:** Las figuras que muestran la altura de corte del césped deben usarse únicamente como guía. Dependiendo de las condiciones del césped o el suelo, la altura real del césped puede variar ligeramente de la altura establecida.

**NOTA:** Procure realizar una prueba de corte de césped en un lugar menos evidente a fin de conseguir la altura de corte deseada.

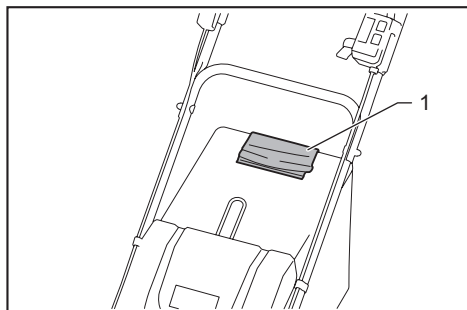
## Indicador del nivel de césped

El indicador del nivel de césped muestra el volumen de césped podado. Cuando el canasto para césped no está lleno, el indicador oscila mientras las cuchillas están en funcionamiento.



- 1. Indicador del nivel de césped

Cuando el canasto para césped está casi lleno, el indicador deja de oscilar mientras las cuchillas están en funcionamiento. En este caso, pare inmediatamente la operación y vacíe el canasto.



- 1. Indicador del nivel de césped

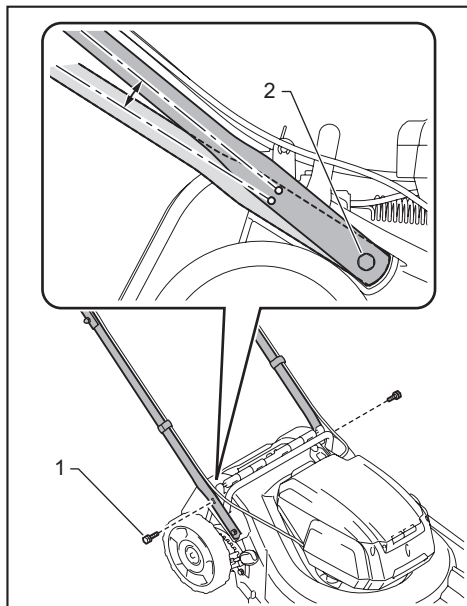
**NOTA:** Este indicador es una guía aproximada. Dependiendo de las condiciones en el interior del canasto, este indicador puede no ser preciso.

## Ajuste de la altura del mango

**PRECAUCIÓN:** Antes de retirar los pernos, sujete firmemente el mango superior. De lo contrario, el mango podría caerse y causar una lesión.

La altura del mango se puede ajustar en dos niveles.

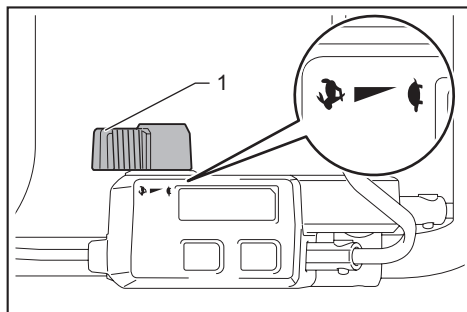
1. Retire los pernos superiores del mango inferior con la llave de bujías 13 y luego afloje los pernos inferiores.



- 1. Perno superior 2. Perno inferior

2. Ajuste la altura del mango y luego apriete los pernos superiores e inferiores firmemente.

## Ajuste de la velocidad de recorrido



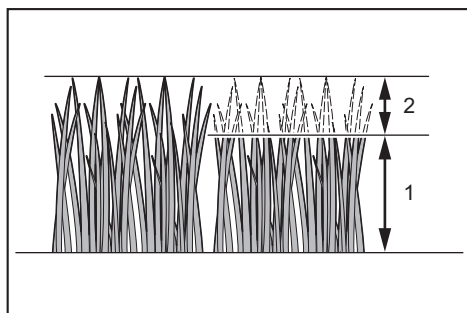
► 1. Palanca de velocidad

La velocidad de recorrido se puede ajustar con la palanca de velocidad. Para disminuir la velocidad, tire de la palanca hacia usted y, para aumentar la velocidad, gire la palanca hacia adelante.

## Uso del tapón para mantillo

El tapón para mantillo permite echar el pasto cortado al suelo sin recolectarlo en el canasto para césped. Cuando opere la máquina con el tapón para mantillo, asegúrese de retirar el canasto para césped.

**AVISO:** Cuando utilice la máquina con el tapón para mantillo, asegúrese de que la longitud total del césped después del corte sea de 30 mm (1-3/16") o más, y que la longitud del corte sea de 15 mm (9/16") o menos.



► (1) 30 mm (1-3/16") o más (2) 15 mm (9/16") o menos

## Uso de la descarga trasera

El uso de la descarga trasera le permite descargar el pasto cortado al suelo desde el lado trasero de la máquina, sin recolectar el pasto cortado en el canasto para césped.

Cuando opere la máquina con la descarga trasera, asegúrese de retirar el canasto para césped y el tapón para mantillo y cierre la cubierta posterior.

## Funcionamiento electrónico

La máquina está equipada con funciones electrónicas para facilitar la operación.

- Control de velocidad constante de la rotación de las cuchillas  
El control de velocidad electrónico consiste en obtener una velocidad constante. Permite lograr un buen acabado debido a que la velocidad de rotación se mantiene constante aun bajo la condición de carga.
- Arranque suave al accionamiento  
La función de arranque suave reduce el impacto de encendido y hace que la máquina se ponga en marcha suavemente.
- Freno eléctrico  
Esta máquina está equipada con un freno eléctrico. Si la máquina falla constantemente en detener rápidamente las cuchillas de la cortadora de césped tras soltar la palanca interruptora, lleve la máquina a servicio a un centro de servicio autorizado de Makita.

## OPERACIÓN

### Corte del césped

**⚠ADVERTENCIA:** Antes de cortar el césped, despeje las ramas y piedras del área de podado. Asimismo, despeje con antelación cualquier maleza en el área de podado.

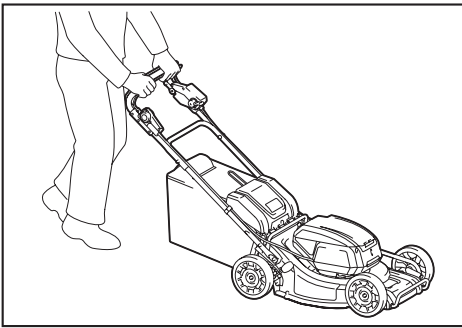
**⚠ADVERTENCIA:** Use siempre gafas protectoras o gafas de seguridad con protección lateral al usar la cortadora de césped.

**⚠PRECAUCIÓN:** Si llegara a haber pasto o algún objeto extraño atascado en el interior del cuerpo de la cortadora de césped, asegúrese de extraer la llave de cierre y el cartucho de batería, y de ponerse guantes antes de extraer el pasto o el objeto extraño.

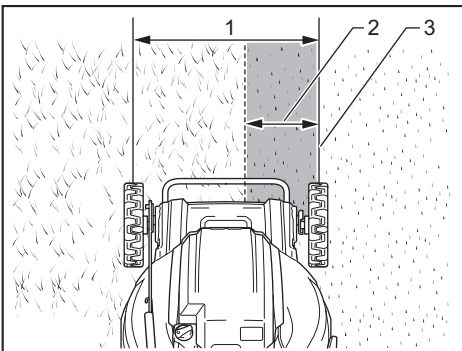
**AVISO:** Utilice esta máquina únicamente para cortar césped. No corte maleza con esta máquina.



Sujete el mango firmemente con ambas manos al cortar el césped. La referencia de velocidad del corte es de aproximadamente 7 metros a 14 metros (23 ft. - 46 ft.) cada 10 segundos.

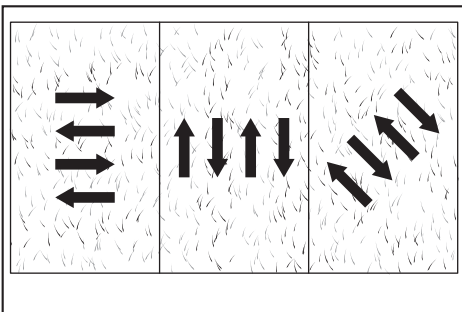


Las líneas centrales de las ruedas delanteras sirven como línea de guía para la amplitud de corte del césped. Usando las líneas centrales como guía, corte el césped en franjas. Traslape de una mitad a un tercio de la franja previa para cortar el césped de manera uniforme.



- ▶ 1. Amplitud de corte del césped 2. Área de traslape
- 3. Línea central

Cambie la dirección del corte de césped cada vez para evitar que el patrón de grano del césped se forme sólo en una dirección.

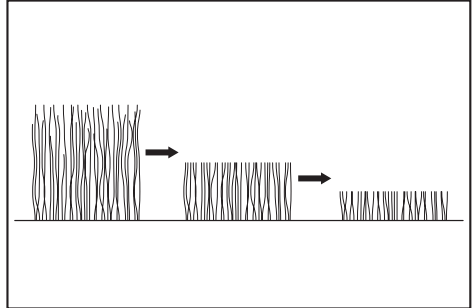


Revise periódicamente el canasto para césped para ver el nivel de pasto podado. Vacíe el canasto para césped antes de que se llene. Antes de cada revisión periódica, asegúrese de apagar la cortadora de césped y retire la llave de cierre y el cartucho de batería.

**AVISO:** El uso de la cortadora de césped con el canasto para césped lleno impide una rotación uniforme de la cuchilla e implica una sobrecarga del motor que puede causar alguna avería.

## Corte de césped largo

No intente cortar el césped largo en una sola pasada. Procure hacerlo en diferentes pasos. Deje pasar uno o dos días entre cada corte hasta lograr que el césped quede cortado de manera uniforme.

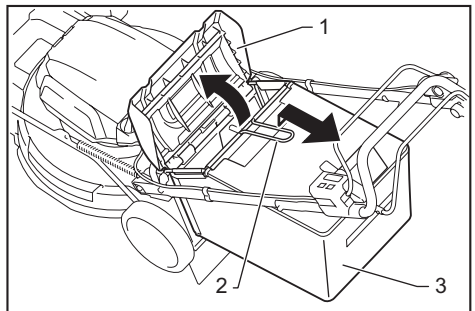


**NOTA:** Cortar césped largo para lograr que quede corto en una sola pasada puede causar que el césped se marchite. Además de que el césped podado puede causar una obstrucción en el interior del cuerpo de la cortadora de césped.

## Vaciado del canasto para césped

**⚠ADVERTENCIA:** Para reducir el riesgo de accidentes, revise regularmente el canasto para césped para ver si no hay daños o ha perdido resistencia. Reemplace el canasto para césped en caso necesario.

1. Suelte la palanca interruptora y la palanca de accionamiento.
2. Quite la llave de cierre.
3. Abra la cubierta posterior y retire el canasto para césped tomándolo del mango.



- ▶ 1. Cubierta posterior 2. Mango 3. Canasto para césped

4. Vacíe el canasto para césped.

# MANTENIMIENTO

**⚠ADVERTENCIA:** Asegúrese siempre de haber extraído la llave de cierre y el cartucho de batería de la cortadora de césped antes de almacenarla o trasladarla o de realizar una inspección o darle mantenimiento.

**⚠ADVERTENCIA:** Siempre retire la llave de cierre cuando no vaya a utilizar la cortadora de césped. Almacene la llave de cierre en un lugar seguro fuera del alcance de los niños.

**⚠ADVERTENCIA:** Use guantes al realizar una inspección o dar mantenimiento.

**⚠ADVERTENCIA:** Use siempre gafas protectoras o gafas de seguridad con protección lateral al realizar labores de inspección o mantenimiento.

**AVISO:** Nunca use gasolina, bencina, diluyente (tíner), alcohol o sustancias similares. Puede que esto ocasione grietas o descoloramiento.

Para mantener la SEGURIDAD y FIABILIDAD del producto, las reparaciones, y cualquier otra tarea de mantenimiento o ajuste deberán ser realizadas en centros de servicio autorizados o de fábrica Makita, empleando siempre repuestos Makita.

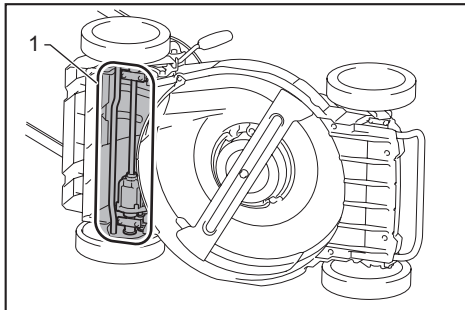
## Mantenimiento

1. Retire la llave de cierre y los cartuchos de batería, y luego cierre la cubierta de la batería.
2. Coloque de lado la cortadora de césped y elimine los residuos de césped que se hayan acumulado en la parte interna de la carcasa de la cortadora de césped.
3. Vierta agua sobre la parte inferior de la máquina a la que está acoplada la cuchilla.

**AVISO:** No lave la máquina con agua a alta presión.

4. Revise que todas las tuercas, pernos, perillas, tornillos, sujetadores, etc., estén bien apretados.
5. Inspeccione las piezas móviles para ver que no haya daños, roturas o desgastes. Las piezas dañadas o faltantes deberán ser reparadas o reemplazadas.
6. Almacene la cortadora de césped en un lugar seguro y fuera del alcance de los niños.

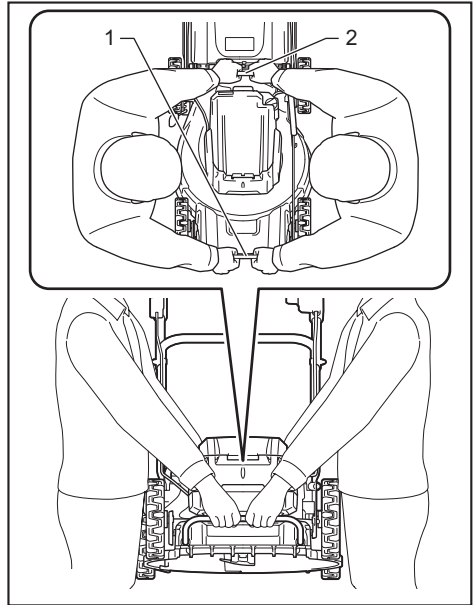
**AVISO:** No vierta agua en la zona que se muestra en la ilustración. Verter agua en el motor puede causar un mal funcionamiento de la máquina.



- 1. Área en donde no debe verterse agua

## Traslado de la cortadora de césped

Para trasladar la cortadora de césped hacen falta dos personas que sujeten la empuñadura delantera y la empuñadura trasera, tal como se muestra en la figura.



- 1. Empuñadura delantera 2. Empuñadura trasera

## Almacenamiento

Almacene la cortadora de césped en interiores en un lugar fresco, seco y bajo llave. No almacene la cortadora de césped ni el cargador en lugares donde la temperatura pueda alcanzar o exceder los 40 °C (104 °F).

## Extracción o instalación de la cuchilla de la cortadora de césped

**⚠ADVERTENCIA:** La cuchilla continuará moviéndose por inercia durante algunos segundos tras haber soltado el interruptor. No realice ninguna operación hasta que la cuchilla se haya detenido por completo.

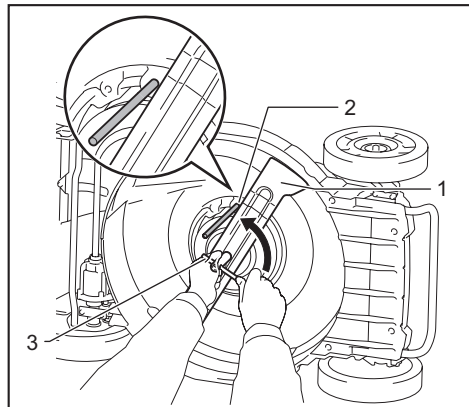
**⚠ADVERTENCIA:** Retire siempre la llave de cierre y el cartucho de batería al extraer o instalar la cuchilla. El no retirar la llave de cierre y el cartucho de batería puede ocasionar lesiones graves.

**⚠ADVERTENCIA:** Use siempre guantes al manipular la cuchilla.



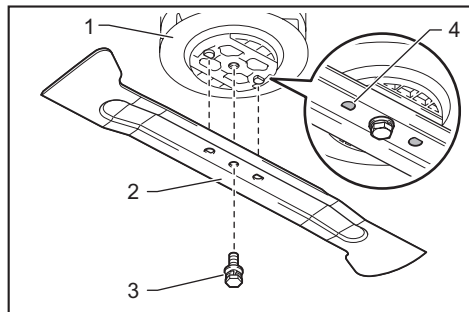
## Extracción de la cuchilla de la cortadora de césped

1. Coloque de lado la cortadora de césped de tal forma que la palanca de ajuste de la altura de corte del césped quede orientada hacia el lado de arriba.
2. Para bloquear la cuchilla, inserte el pasador en un orificio del cuerpo de la cortadora de césped.
3. Gire el perno con la llave de bujías 17 en sentido inverso al de las manecillas del reloj.



- 1. Cuchilla de la cortadora de césped 2. Pasador  
3. Llave de bujías

4. Retire el perno y luego la cuchilla de la cortadora de césped.



- 1. Soporte de la cuchilla 2. Cuchilla de la cortadora de césped 3. Perno 4. Protuberancia

**AVISO:** Cuando instale la cuchilla de la cortadora de césped, asegúrese de que las protuberancias en el soporte de la cuchilla encajen en los orificios en la cuchilla de la cortadora de césped.

## Instalación de la cuchilla de la cortadora de césped

**ADVERTENCIA:** Instale la cuchilla de la cortadora de césped con cuidado. Ésta tiene una cara superior e inferior.

**ADVERTENCIA:** Apriete el perno firmemente en el sentido de las manecillas del reloj para asegurar la cuchilla.

**ADVERTENCIA:** Asegúrese de que la cuchilla de la cortadora de césped y todas las piezas de fijación sean instaladas correctamente y apretadas firmemente.

**ADVERTENCIA:** Para reemplazar las cuchillas, siempre siga las instrucciones proporcionadas en este manual.

**AVISO:** Después de instalar las cuchillas de la cortadora de césped, retire el pasador del cuerpo de la cortadora de césped.

Para instalar las cuchillas de la cortadora de césped, siga el procedimiento de extracción en orden inverso.

# RESOLUCIÓN DE PROBLEMAS

Antes de solicitar alguna reparación, primero realice una inspección por su cuenta. Si detecta algún problema que no esté explicado en el manual, no intente desarmar la máquina. En vez de esto, solicite la reparación a un centro de servicio autorizado de Makita, usando siempre piezas de repuesto Makita.

Estado de la anomalía	Causa probable (avería)	Remedio
La cortadora de césped no arranca.	No se han instalado dos cartuchos de batería.	Instale dos cartuchos de batería cargados.
	Problema con la batería (bajo voltaje)	Recargue el cartucho de batería. Si la recarga no funciona, reemplace el cartucho de batería.
	La llave de cierre no está insertada.	Inserte la llave de cierre.
	El interruptor de selección de baterías no está en la posición correcta.	Seleccione el puerto de batería al cual están instalados los cartuchos de batería utilizando el interruptor de selección de baterías.
El motor deja de funcionar al poco tiempo de uso.	El nivel de carga de la batería es bajo.	Recargue el cartucho de batería. Si la recarga no funciona, reemplace el cartucho de batería.
	La altura de corte es demasiado baja.	Incremente la altura de corte.
	El pasto cortado queda atorado en la cortadora de césped.	Retire el pasto atorado de la cortadora de césped.
El motor no alcanza el nivel máximo de RPM.	El cartucho de batería no está instalado correctamente.	Instale el cartucho de batería como se describe en este manual.
	La potencia de la batería está disminuyendo.	Recargue el cartucho de batería. Si la recarga no funciona, reemplace el cartucho de batería.
	El sistema de activación no funciona correctamente.	Solicite la reparación al centro de servicio autorizado de su localidad.
La cuchilla de la cortadora de césped no gira: ⇒ ¡detenga la cortadora de césped de inmediato!	Se ha atorado un objeto extraño como una rama cerca de la cuchilla.	Retire el objeto extraño.
	El sistema de activación no funciona correctamente.	Solicite la reparación al centro de servicio autorizado de su localidad.
Vibración anormal: ⇒ ¡detenga la cortadora de césped de inmediato!	La cuchilla está desbalanceada o desgastada de manera excesiva o no uniforme.	Reemplace la cuchilla.

## ACCESORIOS OPCIONALES

**⚠PRECAUCIÓN:** Estos accesorios o aditamentos están recomendados para utilizarse con su máquina Makita especificado en este manual. El uso de cualquier otro accesorio o aditamento puede ocasionar riesgo de lesiones personales. Use los accesorios o aditamentos sólo para los propósitos para los que fueron diseñados.

Si necesita cualquier ayuda para más detalles en relación con estos accesorios, pregunte a su centro de servicio local Makita.

- Cuchilla de la cortadora de césped
- Batería y cargador originales de Makita

**NOTA:** Algunos de los artículos en la lista puede que vengan junto con el paquete del producto como accesorios incluidos. Puede que estos accesorios varíen de país a país.

## GARANTÍA LIMITADA DE MAKITA

### Ésta Garantía no aplica para México

Consulte la hoja de la garantía anexa para ver los términos más vigentes de la garantía aplicable a este producto. En caso de no disponer de esta hoja de garantía anexa, consulte los detalles sobre la garantía descritos en el sitio web de su país respectivo indicado a continuación.

Estados Unidos de América: [www.makitatools.com](http://www.makitatools.com)

Canadá: [www.makita.ca](http://www.makita.ca)

Otros países: [www.makita.com](http://www.makita.com)



**Makita Corporation**  
3-11-8, Sumiyoshi-cho,  
Anjo, Aichi 446-8502 Japan  
[www.makita.com](http://www.makita.com)

885774B949  
XML09-1  
EN, ESMX  
20200116