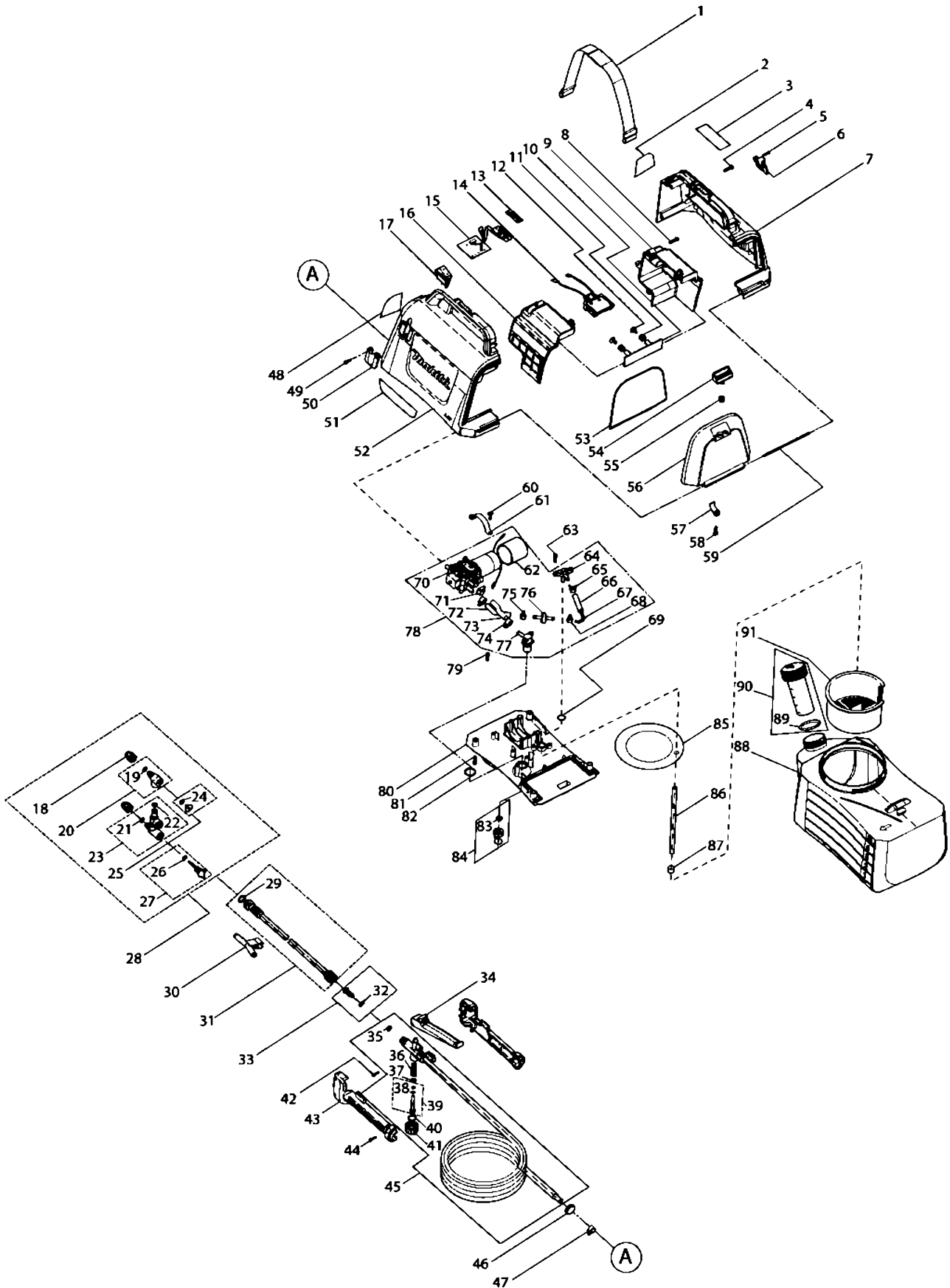




XSU03



Products with multiple versions are listed in subsiding order with the newest version on top not indented.

Section	Fig. No.	Part No.	Description	XSU03	Tech Bulletin	Notes
1	1	PR00000128	SHOULDER STRAP	1		
1	2	PR00000207	WARNING TEXT LABEL-US	1		
1	3	PR00000223	RATING LABEL-0012	1		
1	4	PR00000183	TAPPINNG SCREW ST4.0X16	6		
1	5	PR00000182	TAPPINNG SCREW ST2.9X12	2		
1	6	PR00000191	HOLDER	1		
1	7	PR00000192	HOUSING SET	1		Includes 52
1	8	PR00000183	TAPPINNG SCREW ST4.0X16	4		
1	9	PR00000193	BATTERY HOUSING	1		Includes 16
1	10	PR00000130	DAM-BOARD	1		
1	11	PR00000194	SPRING	2		
1	12	PR00000132	TAPPING SCREW ST4.0X12	2		
1	13	PR00000133	INDICATION LABEL	1		
1	14	PR00000195	TERMINAL	1		
1	15	PR00000196	PCB	1		
1	16	PR00000193	BATTERY HOUSING	1		Includes 9
1	17	PR00000136	SWITCH	1		
1	18	PR00000137	SPRAY HEAD	2		
1	19	PR00000186	O RING 6X2	1		
1	20	PR00000138	NOZZLE HOLDER	1		Includes 19
1	21	PR00000186	O RING 6X2	1		
1	22	PR00000186	O RING 6X2	1		
1	23	PR00000139	ROD JOINT	1		Includes 21-22
1	24	PR00000186	O RING 6X2	1		
1	25	PR00000140	END CAP	1		Includes 24
1	26	PR00000186	O RING 6X2	1		
1	27	PR00000141	ADJUSTING KNOB	1		Includes 26
1	28	PR00000142	TOW HEAD NOZZLE	1		Inc. 18, 20, 23, 25, 27
1	29	PR00000143	SEAL PAD 9X17X2	1		
1	30	PR00000144	HOOK	1		
1	31	PR00000145	SPRAY WAND	1		Includes 29
1	32	PR00000146	O SEAL RING 4.5X1.5	1		
1	33	PR00000147	FILTER ASSEMBLY	1		Includes 32
1	34	PR00000148	HANDLE TRIGGER ASSEMBLY	1		

Products with multiple versions are listed in subsiding order with the newest version on top not indented.

Section	Fig. No.	Part No.	Description	XSU03	Tech Bulletin	Notes
1	35	PR00000149	O RING 8X1.8	1		
1	36	PR00000150	SPRING	1		
1	37	PR00000204	O RING 6X2	1		
1	38	PR00000205	O RING 3X1	2		
1	39	PR00000151	VALVE ROD	1		Includes 38
1	40	PR00000190	O RING	1		
1	41	PR00000152	LOCK COVER	1		
1	42	PR00000182	TAPPINNG SCREW ST2.9X12	1		
1	43	PR00000153	HANDLE SET	1		
1	44	PR00000182	TAPPINNG SCREW ST2.9X12	5		
1	45	PR00000154	SPRAY HOSE ASSEMBLY	1		Inc. 35-37,39-41
1	46	PR00000155	SPRAY HOSE SLEEV	1		
1	47	PR00000184	HOSE CLAMP	1		
1	48	PR00000211	WARNING LOGO LABEL	1		
1	49	PR00000182	TAPPINNG SCREW ST2.9X12	2		
1	50	PR00000191	HOLDER	1		
1	51	PR00000197	DECORATION LABEL	1		
1	52	PR00000192	HOUSING SET	1		
1	53	PR00000198	BATTERY COVER SEAL PAD	1		
1	54	PR00000159	BATTERY COVER BUTTON	1		
1	55	PR00000160	SPRING	1		
1	56	PR00000199	BATTERY COVER	1		
1	57	PR00000162	PRESS-BUTTON	1		
1	58	PR00000007	TAPPING SCREW	1		
1	59	PR00000163	SHAFT	1		
1	60	PR00000183	TAPPINNG SCREW ST4.0X16	2		
1	61	PR00000164	MOTOR FIXED BLOCK	1		
1	62	PR00000165	SHOCK ABSORBER RING	1		
1	63	PR00000183	TAPPINNG SCREW ST4.0X16	2		
1	64	PR00000166	INLET CONNECTION	1		
1	65	PR00000188	HOSE CLIP	1		
1	66	PR00000187	DELIVERY TUBE	1		
1	67	PR00000167	SPRING	1		
1	68	PR00000188	HOSE CLIP	1		

Products with multiple versions are listed in subsiding order with the newest version on top not indented.

Section	Fig. No.	Part No.	Description	XSU03	Tech Bulletin	Notes
1	69	PR00000190	O RING	1		
1	70	PR00000200	WATER PUMP UNIT	1		
1	71	PR00000184	HOSE CLAMP	2		
1	72	PR00000187	DELIVERY TUBE	1		
1	73	PR00000187	DELIVERY TUBE	1		
1	74	PR00000184	HOSE CLAMP	1		
1	75	PR00000188	HOSE CLIP	1		
1	76	PR00000169	CHECK VALVE ASSEMBLY	1		
1	77	PR00000170	BASE	1		
1	78	PR00000201	PUMP	1		Inc 62, 64-68, 70-77
1	79	PR00000183	TAPPINNG SCREW ST4.0X16	2		
1	80	PR00000172	BASE BOARD	1		
1	81	PR00000183	TAPPINNG SCREW ST4.0X16	4		
1	82	PR00000173	O RING 17X2	1		
1	83	PR00000186	O RING 6X2	1		
1	84	PR00000174	KNOB LOCK CAP ASSEMBLY	1		Includes 83
1	85	PR00000175	SEAL PAD	1		
1	86	PR00000176	SUCTION TUBE	1		
1	87	PR00000177	FILTER	1		
1	88	PR00000202	TANK-US	1		
1	89	PR00000179	O RING 34X3.5	1		
1	90	PR00000203	MEASURING CUP-US	1		Includes 89
1	91	PR00000181	FILTER CARTRIDGE	1		