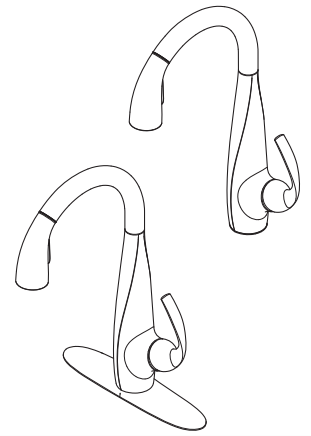


LF-529-7ANS Finish(S)

LF-529-7ANY Finish(Y)



Specifications

- 1 or 3 Hole Installation
- Pforever Seal

Features

- 1.8 GPM Flow Rate
- 2 Function Pull-Down Sprayer
- 1 or 3-Hole Installation; Deck Plate or Single Hole Mounting Option
- Deckplate with Tie Downs
- Ergonomic Spray Head
- Mounting Hardware Included
- 360° Rotating Spout
- High Arc Spout
- Quick Install Installation
- Pfast Connect
- PVD Finish
- Pforever Seal Ceramic Disc Valve
- Pforever Warranty®

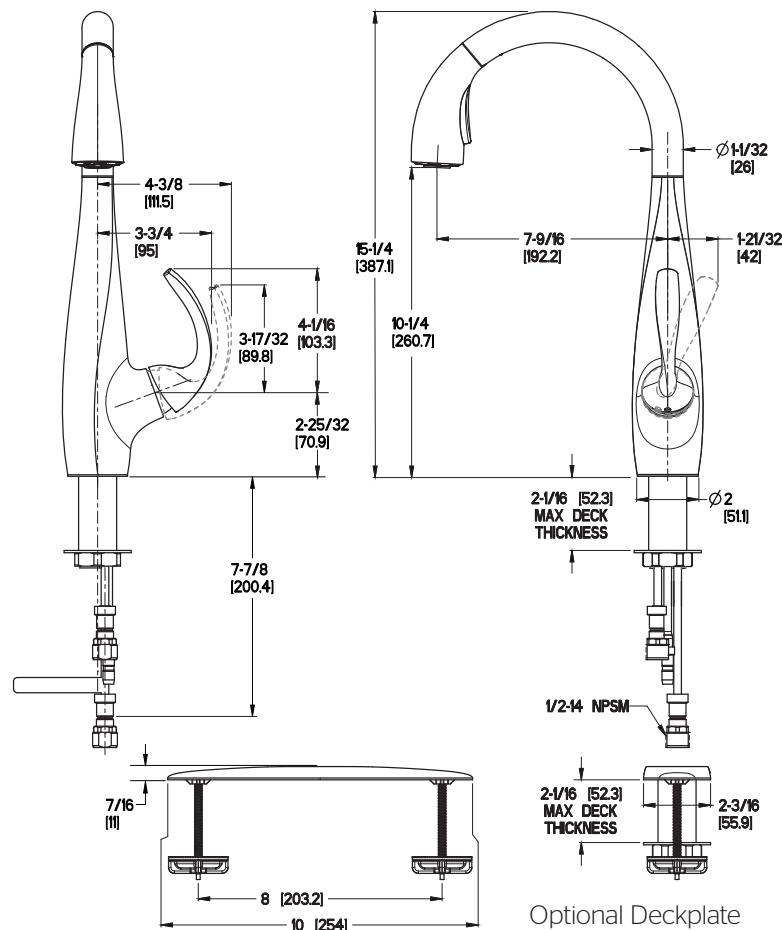
Code Compliance

Pfister products are designed and manufactured in compliance with the following standards and codes:

- IAPMO Certified
- CSA B125 Certified
- ASME A112.18.1
- Cal Green Compliant
- NSF 61/9 Annex G (Low lead)
- ADA Compliant-ANSI A117.1 (Lever handles only)



Dimensions



Ø1-3/8 Min to Ø1-1/2 Max. Deck Hole Openings