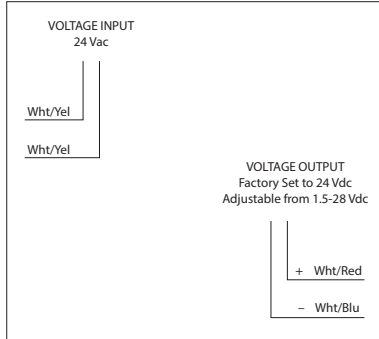


DC POWER SUPPLY: 24 VAC TO 1.5 - 28 VDC

PSP24DA

Enclosed **Non-Isolated** Linear DC Power Supply,
24 Vac to 1.5-28 Vdc Adjustable Output



SPECIFICATIONS

- Voltage Input:** 24 Vac, full-wave rectified
- Voltage Output:** 1.5 - 28 Vdc **non-isolated**
- Frequency:** 50/60 Hz
- Overload Protection:** Electrical and Thermal, Auto-Reset
- Operating Temperature:** -30 to 140° F
- Humidity Range:** 5 to 95% (noncondensing)
- Power Status:** LED On = Activated
- Dimensions:** 2.30" x 3.20" x 1.80" with .50" NPT nipple
- Wires:** 16", 600V Rated
- ON/OFF Switch:** None
- Approvals:** Class 2 (UL Approved UL5085-3), UL916, C-UL, CE, RoHS
- Housing Rating:** UL Accepted for Use in Plenum, NEMA 1

- Output Current Ratings:**
- 116 mA @ 10 Vdc
- 125 mA @ 12 Vdc
- 300 mA @ 24 Vdc

- Input Current Rating:**
- 550 mA Maximum

- Percent Ripple:**
- 0.0016%, 24 Vdc @ 300 mA

- Regulation:**
- Load: 0.04% No Load to Full Load
- Line: 0.0125 V/V

- Notes:**
- Requires a separate ungrounded transformer when used in conjunction with 1/2 wave rectified power supplies, grounded 24 Vac transformers, or when 24 Vac and 24 Vdc are connected in common.