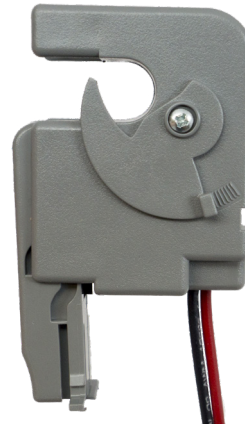
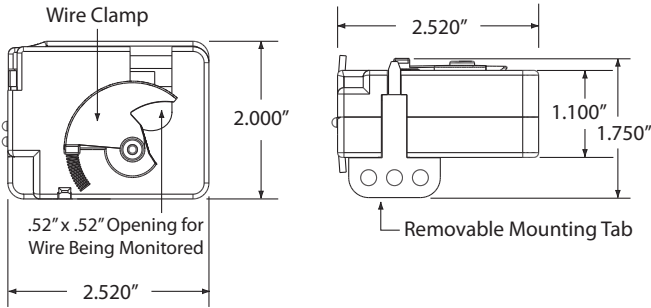


**AC TRANSDUCERS**

**RIBXG420 Series**

Enclosed Self-Powered Split Core 20, 50, and 100 Amp Current Transducers with Loop Powered 4-20 mA Output (Pre-Wired)



**SPECIFICATIONS**

- Operating Temperature:** -30 to 140° F
- Humidity Range:** 5 to 95% (noncondensing)
- Wires:** Red (positive) & Black (negative), 16", 18 AWG, 600V Rated
- Sensor Type:** Internal, with 4-20 mA Transmitter Output
- Sensor Range:** 0-20 Amps, 0-50 Amps, or 0-100 Amps (See Selection Guide Below)
- Accuracy:** Refer to chart below.
- Linearity:** 99% FS (20%-100% Span)
- Max Output Current:** 30 mA
- Max Sense Voltage:** 600 Vac
- Approvals:** UL Listed, UL864, UL508, C-UL, California State Fire Marshal, CE, RoHS
- Mounting/Installation:** Removable mounting tab provided. The wire clamp locks against the wire being monitored, securing the unit in place.

OUTPUT LOAD RESISTANCE	SUPPLY VOLTAGE	
	Minimum	Maximum
800 ohms	24 Vdc	35 Vdc
500 ohms	18 Vdc	35 Vdc
350 ohms	15 Vdc	35 Vdc
250 ohms	13 Vdc	35 Vdc
200 ohms	12 Vdc	35 Vdc
100 ohms	10 Vdc	35 Vdc
50 ohms	9 Vdc	35 Vdc

RIBXG420 SERIES SELECTION GUIDE			ACCURACY		
Model#	Sensing Range	Sensor Output	Span 20% – 100%	Span 10% – 100%	Span 0% – 100%
RIBXG420-20	0-20 Amps	Loop Powered 4-20 mA Transmitter (Pre-Wired)	99%	99%	95%
RIBXG420-50	0-50 Amps	Loop Powered 4-20 mA Transmitter (Pre-Wired)	99%	97.5%	92%
RIBXG420-100	0-100 Amps	Loop Powered 4-20 mA Transmitter (Pre-Wired)	99%	97%	91%

