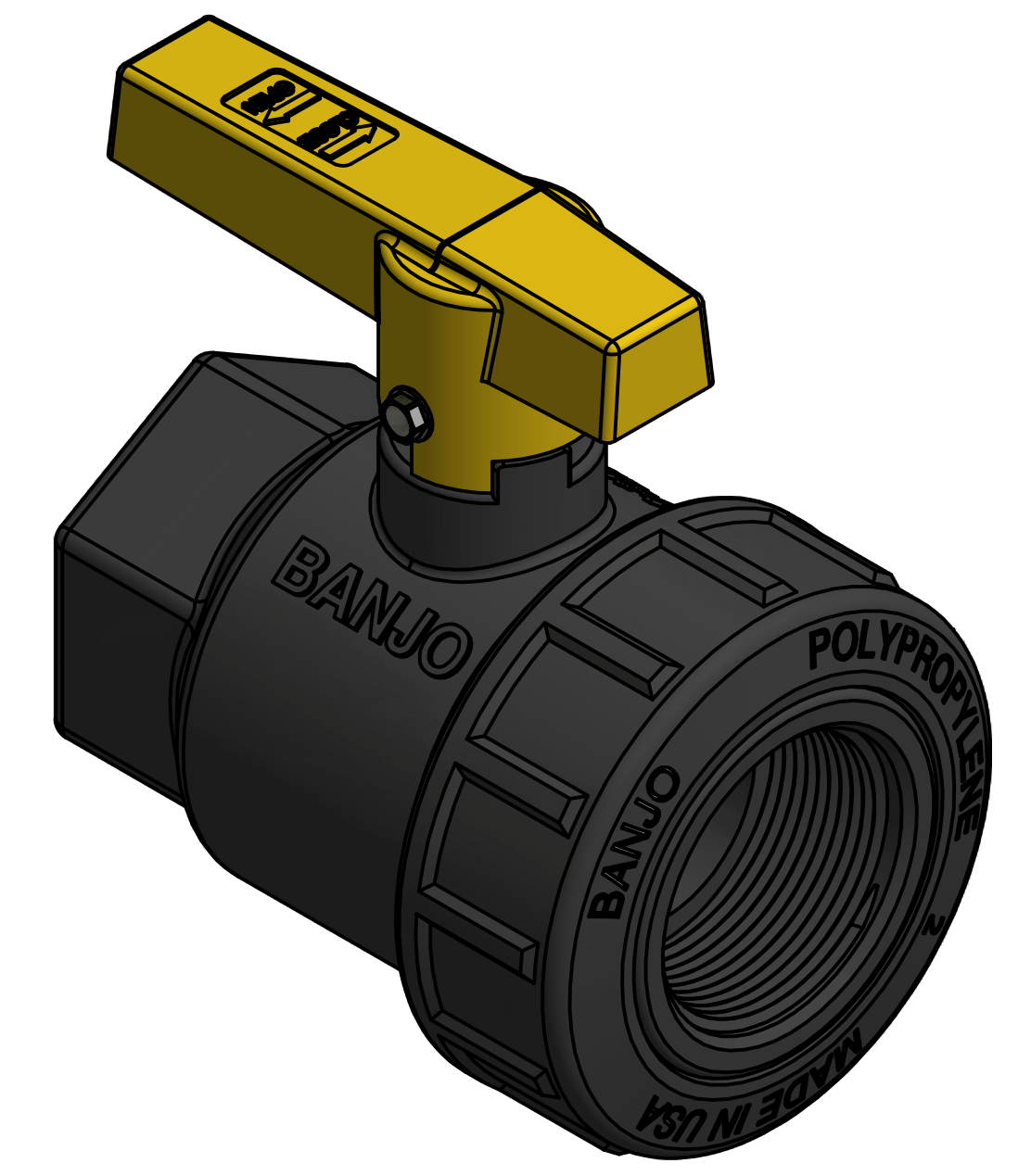


Parts List			
ITEM	QTY	PART NUMBER	DESCRIPTION
2	1	UV15150	1 1/2" UV RING
3	1	UV15151	UV STEM
4	1	UV15153	1-1/2" UNION VALVE HANDLE, POLY
5	2	UV15163V	AS568A -114 O-RING, FKM, BROWN
6	1	UV15220	#6 X 5/8" HWH SMS
7	1	UV15255	1.5" UNION VALVE BALL, TUMBLER
8	1	UV15257	UV END PLATE
9	1	UV15264V	1 1/2" UV BODY O-RING, FKM
10	2	V20258	2" BALL SEAT
12	1	UV15254	1 1/2" UNION VALVE BODY



THIS DRAWING AND ALL INFORMATION CONTAINED THEREON ARE THE EXCLUSIVE PROPERTY OF BANJO CORPORATION.

UNLESS SPECIFICALLY NOTED, THIS DRAWING AND ITEMS SHOWN ON THIS DRAWING ARE SUBJECT TO CHANGE AT ANY TIME.



BANJO CORPORATION
 150 BANJO DRIVE, CRAWFORDSVILLE, IN 47933
 WEB SITE: WWW.BANJO.CORP.COM
 E-MAIL: BANJOSALES@IDEXCORP.COM

DESCRIPTION
 1 1/2" UNION VALVE, FKM

PART NUMBER
 UV150FPV