

VW3A7608R07

braking resistor - 100 Ohm - 100 W - cable
0.75 m - IP65



Main

Range of product	Altivar Lexium
Product or component type	Braking resistor
Range compatibility	Altivar 32 Lexium 15 Lexium 32 Lexium 32i Altivar Machine ATV320 Lexium 52 Easy Altivar 310L Easy Lexium 16
Product compatibility	ATV32H018M2 ATV32H037M2 ATV32H037N4 ATV32H055M2 ATV32H055N4 ATV32H075M2 ATV32H075N4 ATV32HU11N4 ATV32HU15N4 ATV32HU22N4 Variable speed drive ATV320 0.18 kW, 200...240 V, single phase Variable speed drive ATV320 0.37 kW, 200...240 V, single phase Variable speed drive ATV320 0.55 kW, 200...240 V, single phase Variable speed drive ATV320 0.75 kW, 200...240 V, single phase Variable speed drive ATV320 0.37 kW, 380...500 V, three phase Variable speed drive ATV320 0.55 kW, 380...500 V, three phase Variable speed drive ATV320 0.75 kW, 380...500 V, three phase Variable speed drive ATV320 1.1 kW, 380...500 V, three phase Variable speed drive ATV320 1.5 kW, 380...500 V, three phase Variable speed drive ATV320 2.2 kW, 380...500 V, three phase Variable speed drive ATV320 0.75 kW, 525...600 V, three phase Variable speed drive ATV320 1.5 kW, 525...600 V, three phase Variable speed drive ATV320 2.2 kW, 525...600 V, three phase Variable speed drive ATV310L 0.75 kW Variable speed drive ATV310L 1.5 kW Variable speed drive ATV310L 2.2 kW Variable speed drive ATV310L 3.0 kW Variable speed drive ATV310L 4.0 kW Variable speed drive ATV310L 5.5 kW Motion servo drive LXM16D 0.1 kW, 200...230 V, single phase Motion servo drive LXM16D 0.2 kW, 200...230 V, single phase Motion servo drive LXM16D 0.4 kW, 200...230 V, single phase Motion servo drive LXM16D 0.75 kW, 200...230 V, single phase Motion servo drive LXM16D 1 kW, 200...230 V, single phase Motion servo drive LXM16D 1.5 kW, 200...230 V, single phase

The information provided in this documentation contains general descriptions and/or technical characteristics of the performance of the products contained herein. This documentation is not intended as a substitute for and is not to be used for determining suitability or reliability of these products for specific user applications. It is the duty of any such user or integrator to perform the appropriate and complete risk analysis, evaluation and testing of the products with respect to the relevant specific application or use thereof. Neither Schneider Electric Industries SAS nor any of its affiliates or subsidiaries shall be responsible or liable for misuse of the information contained herein.

Ohmic value	100 Ohm
Continuous power	100 W
Average power available	25 W 122 °F (50 °C)
Cable length	2.46 ft (0.75 m)

Complementary

Energy peak	2700 J 480 V 3000 J 400 V 4500 J 230 V 4400 J 115 V
Protection type	Thermal protection via the servo drive
Net Weight	0.90 lb(US) (0.41 kg)

Environment

Ambient air temperature for operation	32...122 °F (0...50 °C)
Ambient air temperature for storage	-13...185 °F (-25...85 °C)
IP degree of protection	IP65
IP degree of protection	IP65

Ordering and shipping details

Category	18263 - LEXIUM 32 ACCESSORIES
Discount Schedule	PC51
GTIN	00785901808817
Nbr. of units in pkg.	1
Package weight(Lbs)	1.32 lb(US) (0.60 kg)
Returnability	Yes
Country of origin	DE

Packing Units

Package 1 Height	0.300 dm
Package 1 width	1.250 dm
Package 1 Length	3.900 dm

Offer Sustainability

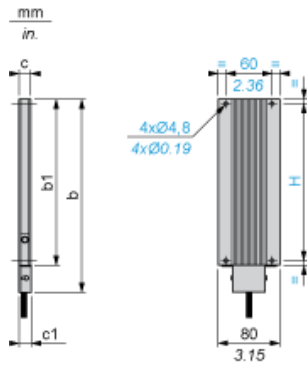
California proposition 65	WARNING: This product can expose you to chemicals including: Lead and lead compounds, which is known to the State of California to cause cancer and birth defects or other reproductive harm. For more information go to www.P65Warnings.ca.gov
REACH free of SVHC	Yes
EU RoHS Directive	Pro-active compliance (Product out of EU RoHS legal scope) EU RoHS Declaration
Mercury free	Yes
RoHS exemption information	Yes
China RoHS Regulation	China RoHS Declaration
PVC free	Yes

Contractual warranty

Warranty	18 months
----------	-----------

Braking Resistor

Dimensions



Dimensions in mm

b	b1	c	c1	H
145	110	15	15.5	98

Dimensions in in.

b	b1	c	c1	H
5.70	4.33	0.59	0.61	3.85