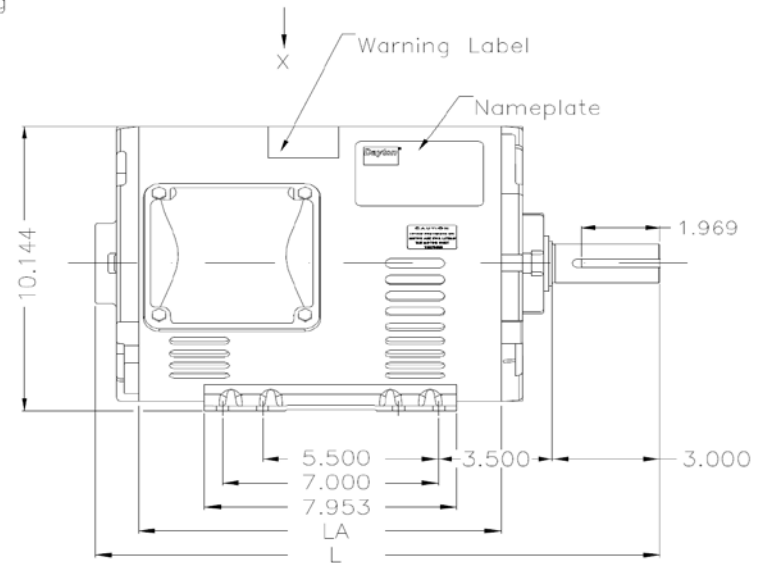
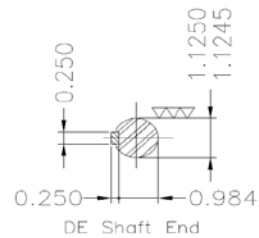
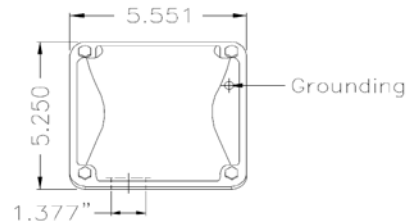
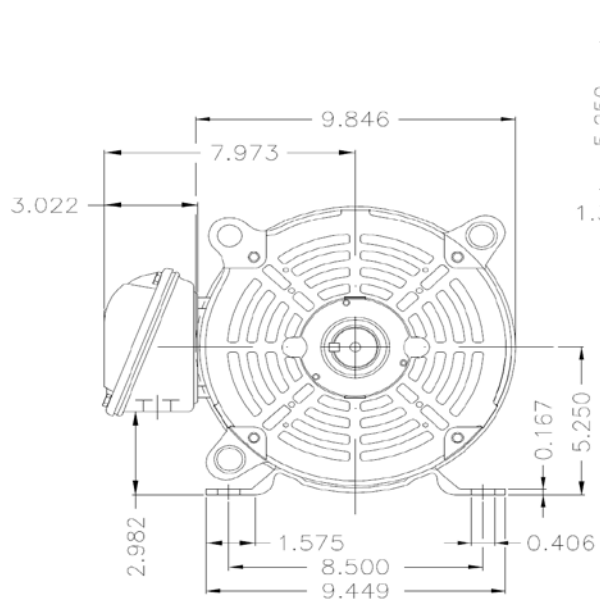


# Dimensional Drawing

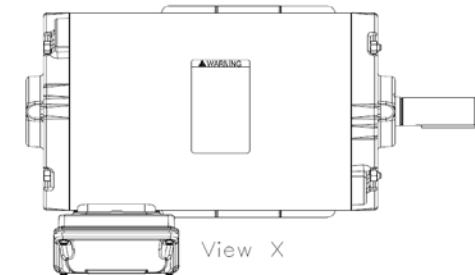


**2N983H**

REV.  
0



					L	LA	
7.50 HP	02 Poles	60Hz	PART #	36VF02	16.195	10.236	F
5.00 HP	02 Poles	60Hz	PART #	36VF01	16.195	10.236	E
5.00 HP	04 Poles	60Hz	PART #	2N984H	16.195	10.236	D
3.00 HP	04 Poles	60Hz	PART #	2N983H	16.195	10.236	C
3.00 HP	06 Poles	60Hz	PART #	36VE95	16.195	10.236	B
2.00 HP	06 Poles	60Hz	PART #	2N990H	16.195	10.236	A



DRAWING NO. PAGE 1 of 2 REV.  
**2N983H** 0

Dayton Electric Mfg. Co. Lake Forest, IL 60045 USA