

AC PSC MOTOR WITH  
CONDUIT BOX



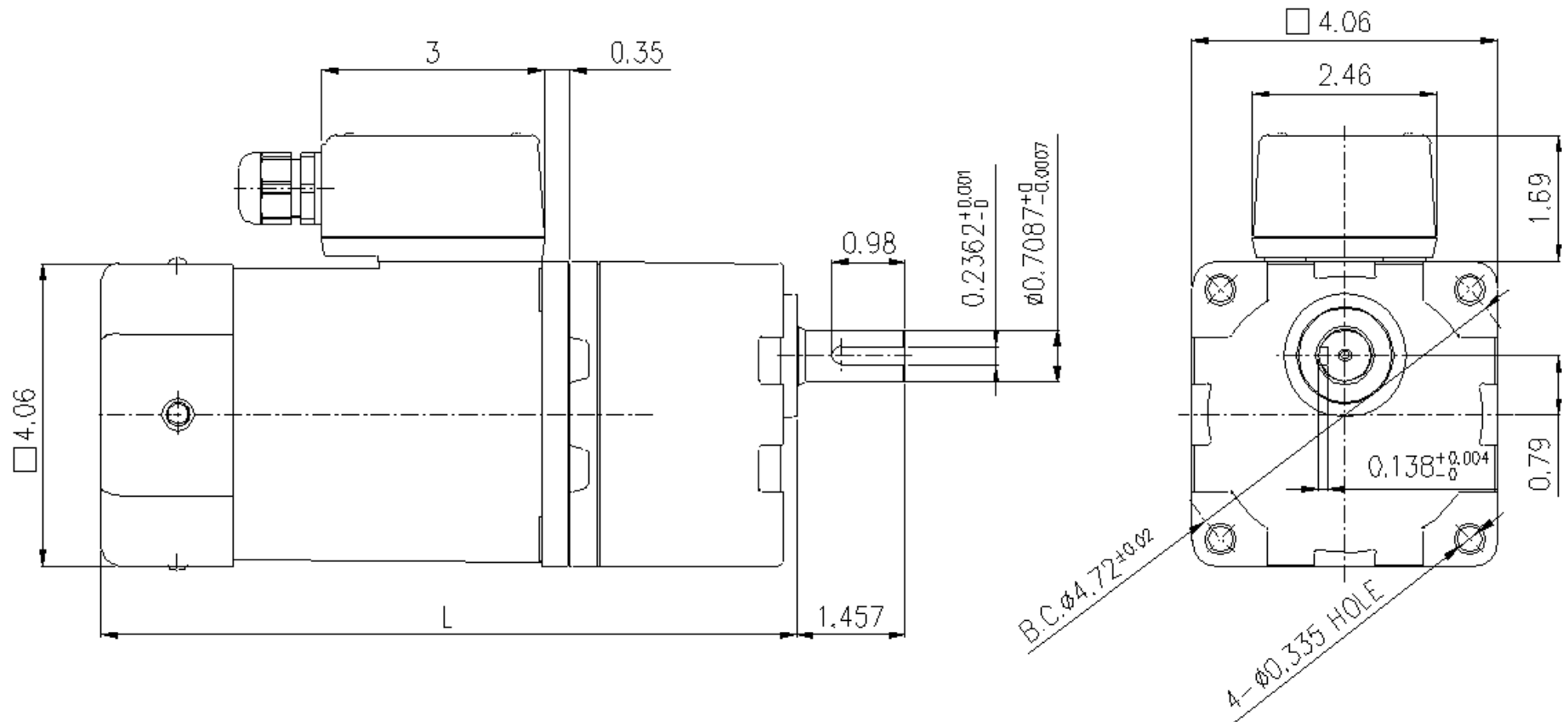
PARALLEL GEARBOX

## ASSEMBLY INFO

MODEL:  
7CV80-V99



DAYTON ELECTRIC MANUFACTURING CO.  
100 GRAINGER PARKWAY  
LAKE FOREST, IL 60045 USA



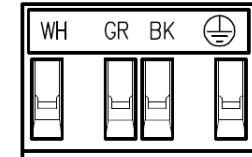
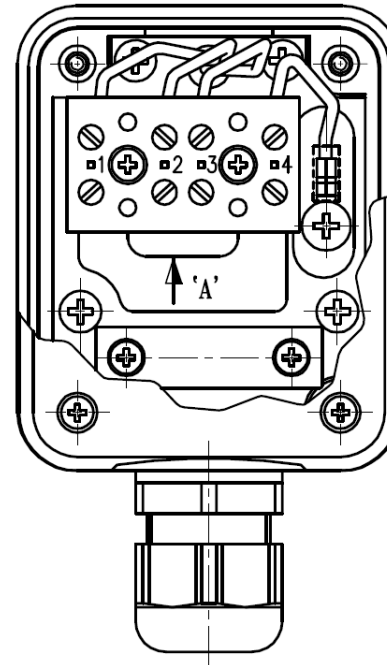
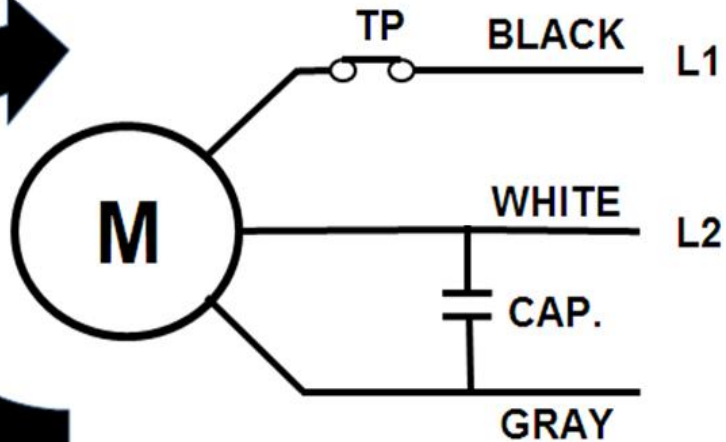
**OUTLINE DRAWING**

MODEL:  
7CV80-V99



DAYTON ELECTRIC MANUFACTURING CO.  
100 GRAINGER PARKWAY  
LAKE FOREST, IL 60045 USA

# CW



VIEW 'A'

CW ROTATION SHOWN AT THE SHAFT END.  
CONNECT L2 TO GRAY WIRE INSTEAD OF WHITE  
WIRE TO REVERSE MOTOR DIRECTION.

HP: 1/4 Watt: 200      Speed: 1600 RPM

Volt: 115 VAC / 1 Phase    FLA: 2.85    Freq: 60 Hz

Capacitor Value: 40 MFD / 250 VAC

## WIRE DIAGRAM

MODEL:  
7CV80-V99



DAYTON ELECTRIC MANUFACTURING CO.  
100 GRAINGER PARKWAY  
LAKE FOREST, IL 60045 USA

7-Combo No.	Motor SKU	Gearbox SKU	Length Less Shaft "L" Dimension (IN)	Shaft Rotation with Respect to Motor Shaft	No Load Speed (RPM)	Estimated Full Load Speed (RPM)	Gear Box Ratio	Max. Torque (IN-LB)	Max. Over Hung Load (LB)	Max. Thrust Load (LB)
7CV80	23L407	23L454	9.35	Same	600	533	3:1	29.4	176.3	44
7CV81	23L407	23L455	9.35	Same	500	444	3.6:1	34.2	176.3	44
7CV82	23L407	23L456	9.35	Same	360	320	5:1	47.5	176.3	44
7CV83	23L407	23L457	9.35	Same	300	267	6:1	57.0	176.3	44
7CV84	23L407	23L458	9.35	Same	240	213	7.5:1	71.3	176.3	44
7CV85	23L407	23L459	9.35	Same	200	178	9:1	85.5	176.3	44
7CV86	23L407	23L460	9.35	Opposite	144	128	12.5:1	113.5	176.3	44
7CV87	23L407	23L461	9.35	Opposite	120	107	15:1	136.2	176.3	44
7CV88	23L407	23L462	9.35	Opposite	100	89	18:1	163.5	176.3	44
7CV89	23L407	23L463	9.35	Opposite	72	64	25:1	227	176.3	44
7CV90	23L407	23L464	9.35	Opposite	60	53	30:1	272	176.3	44
7CV91	23L407	23L465	9.35	Opposite	50	44	36:1	327	176.3	44
7CV92	23L407	23L466	9.35	Same	36	40	40:1	354	220.4	44
7CV93	23L407	23L467	9.35	Same	30	26.7	60:1	354	220.4	44
7CV94	23L407	23L468	9.35	Same	24	21.3	75:1	354	220.4	44
7CV95	23L407	23L469	9.35	Same	20	17.8	90:1	354	220.4	44
7CV96	23L407	23L470	9.35	Same	18	16	100:1	354	220.4	44
7CV97	23L407	23L471	9.35	Same	15	13.3	120:1	354	220.4	44
7CV98	23L407	23L472	9.35	Same	12	10.7	150:1	354	220.4	44
7CV99	23L407	23L473	9.35	Same	10	8.9	180:1	354	220.4	44

## SPECIFICATIONS

**MODEL:**  
7CV80-V99



**DAYTON ELECTRIC MANUFACTURING CO.**  
100 GRAINGER PARKWAY  
LAKE FOREST, IL 60045 USA