

AC PSC MOTOR WITH  
CONDUIT BOX



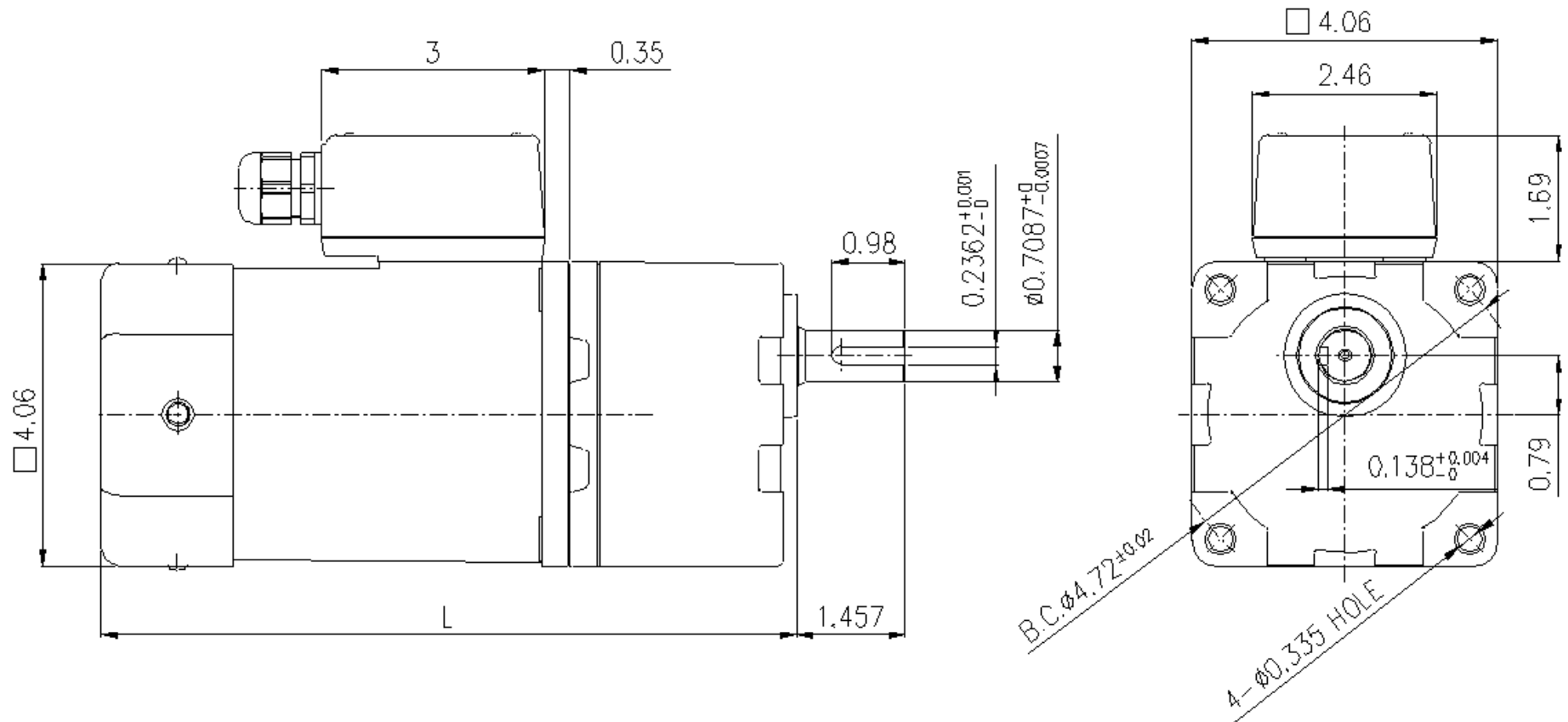
PARALLEL GEARBOX

## ASSEMBLY INFO

MODEL:  
7CW00-W19



DAYTON ELECTRIC MANUFACTURING CO.  
100 GRAINGER PARKWAY  
LAKE FOREST, IL 60045 USA



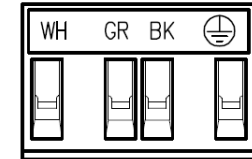
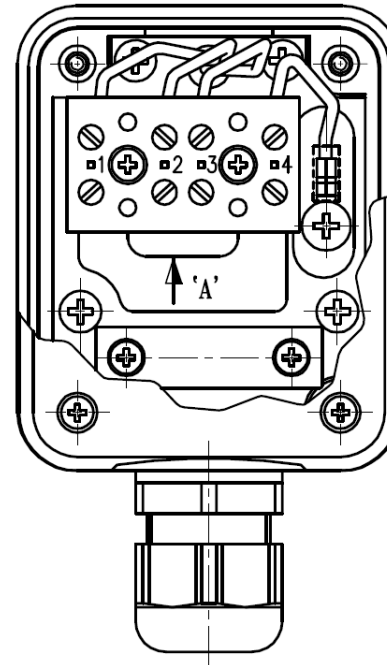
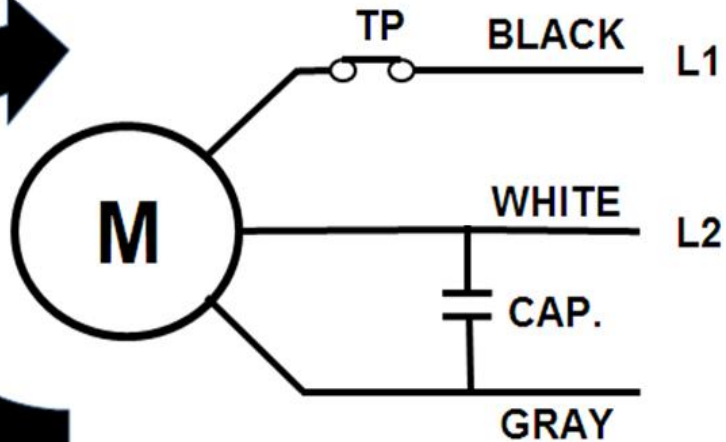
**OUTLINE DRAWING**

MODEL:  
7CW00-W19



DAYTON ELECTRIC MANUFACTURING CO.  
100 GRAINGER PARKWAY  
LAKE FOREST, IL 60045 USA

# CW



VIEW 'A'

CW ROTATION SHOWN AT THE SHAFT END.  
CONNECT L2 TO GRAY WIRE INSTEAD OF WHITE  
WIRE TO REVERSE MOTOR DIRECTION.

HP: 1/4 Watt: 200      Speed: 1550 RPM

Volt: 220 VAC / 1 Phase    FLA: 1.40    Freq: 60 Hz

Capacitor Value: 10 MFD / 450 VAC

## WIRE DIAGRAM

MODEL:  
7CW00-W19

**Dayton**®

DAYTON ELECTRIC MANUFACTURING CO.  
100 GRAINGER PARKWAY  
LAKE FOREST, IL 60045 USA

7-Combo No.	Motor SKU	Gearbox SKU	Length Less Shaft "L" Dimension (IN)	Shaft Rotation with Respect to Motor Shaft	No Load Speed (RPM)	Estimated Full Load Speed (RPM)	Gear Box Ratio	Max. Torque (IN-LB)	Max. Over Hung Load (LB)	Max. Thrust Load (LB)
7CW00	23L408	23L454	9.35	Same	600	516	3:1	29.4	176.3	44
7CW01	23L408	23L455	9.35	Same	500	276	3.6:1	34.2	176.3	44
7CW02	23L408	23L456	9.35	Same	360	310	5:1	47.5	176.3	44
7CW03	23L408	23L457	9.35	Same	300	258	6:1	57.0	176.3	44
7CW04	23L408	23L458	9.35	Same	240	206	7.5:1	71.3	176.3	44
7CW05	23L408	23L459	9.35	Same	200	172	9:1	85.5	176.3	44
7CW06	23L408	23L460	9.35	Opposite	144	124	12.5:1	113.5	176.3	44
7CW07	23L408	23L461	9.35	Opposite	120	103	15:1	136.2	176.3	44
7CW08	23L408	23L462	9.35	Opposite	100	86	18:1	163.5	176.3	44
7CW09	23L408	23L463	9.35	Opposite	72	62	25:1	227	176.3	44
7CW10	23L408	23L464	9.35	Opposite	60	51.6	30:1	272	176.3	44
7CW11	23L408	23L465	9.35	Opposite	50	43	36:1	327	176.3	44
7CW12	23L408	23L466	9.35	Same	45	38.7	40:1	354	220.4	44
7CW13	23L408	23L467	9.35	Same	30	25.8	60:1	354	220.4	44
7CW14	23L408	23L468	9.35	Same	24	20.6	75:1	354	220.4	44
7CW15	23L408	23L469	9.35	Same	20	17.2	90:1	354	220.4	44
7CW16	23L408	23L470	9.35	Same	18	15.5	100:1	354	220.4	44
7CW17	23L408	23L471	9.35	Same	15	12.9	120:1	354	220.4	44
7CW18	23L408	23L472	9.35	Same	12	10.3	150:1	354	220.4	44
7CW19	23L408	23L473	9.35	Same	10	8.6	180:1	354	220.4	44

## SPECIFICATIONS

MODEL:  
7CW00-W19



DAYTON ELECTRIC MANUFACTURING CO.  
100 GRAINGER PARKWAY  
LAKE FOREST, IL 60045 USA