



DC MOTOR



GEARBOX MULTIPLIER



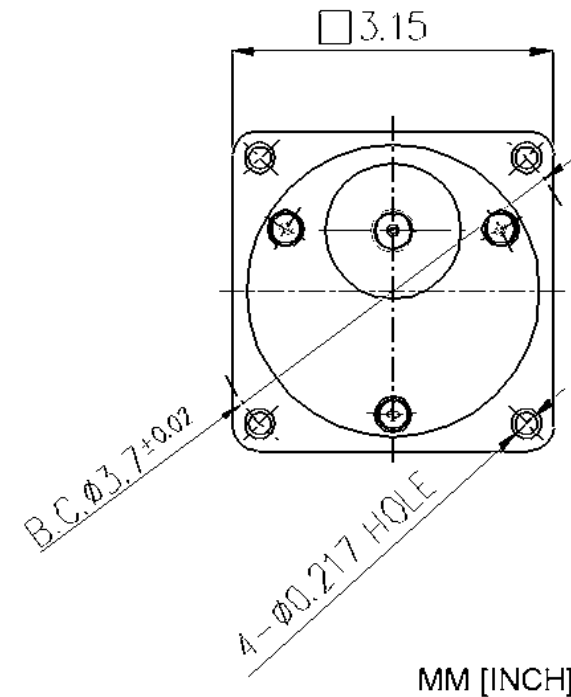
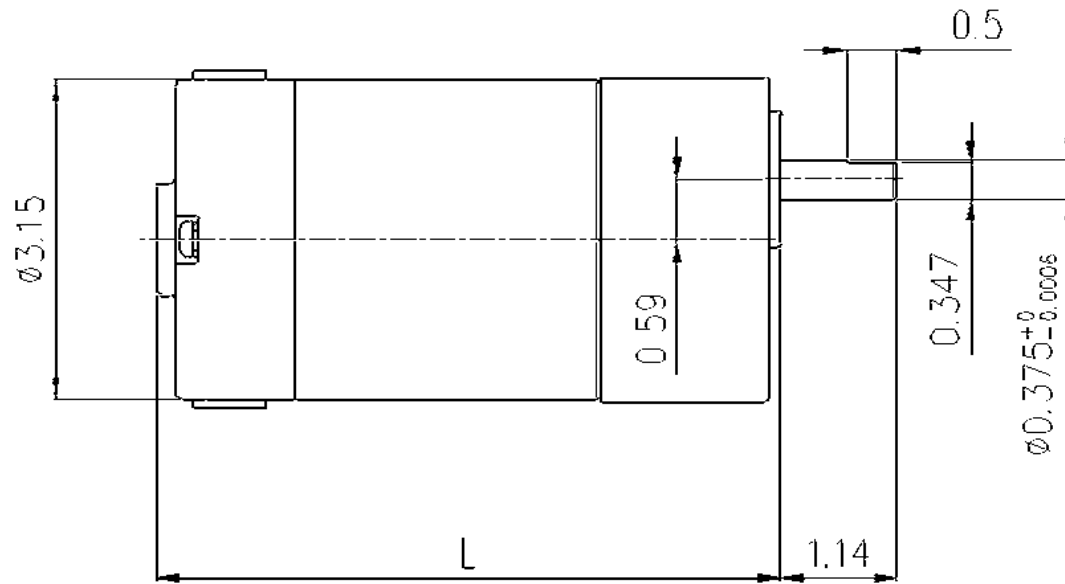
PARALLEL GEARBOX

**ASSEMBLY INFO**

**MODEL:**  
7C570-581,630-635,640-641,  
644-646,671-672,680-681,731-734



DAYTON ELECTRIC MANUFACTURING CO.  
100 GRAINGER PARKWAY  
LAKE FOREST, IL 60045 USA

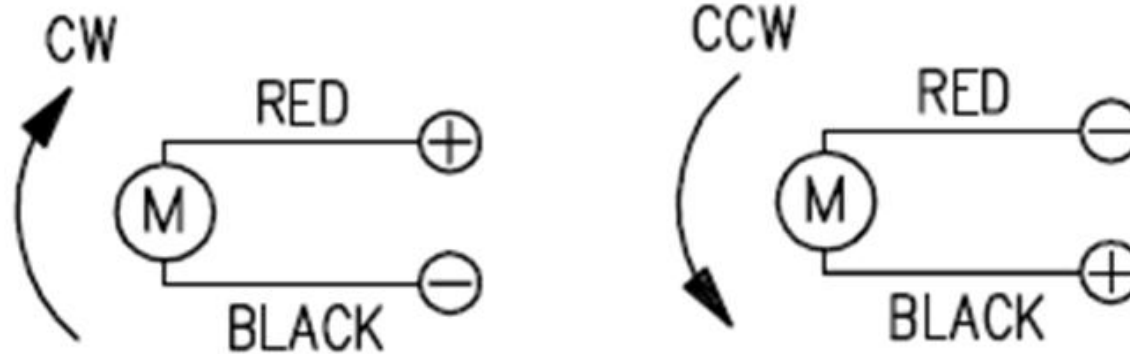


**OUTLINE DRAWING**

**MODEL:**  
7C570-581,630-635,640-641,  
644-646,671-672,680-681,731-734




DAYTON ELECTRIC MANUFACTURING  
CO.  
100 GRAINGER PARKWAY  
LAKE FOREST, IL 60045 USA



NOTES:

1. THIS MOTOR HAS A 1.0 FORM FACTOR (FF) RATING, SO THE MOTOR SUPPLY MUST HAVE THE SAME RATING.
2. USING A MOTOR SUPPLY WHICH HAS A HIGHER FF RATING WILL OVERHEAT THE MOTOR.
3. DO NOT USE SCR, 1.3 FF MOTOR SPEED CONTROL WITH THIS MOTOR.

HP: 1/30 Watt: 25 Speed: 3000 RPM	Volt: 90 DC	FLA: 0.5	FF: 1.0	Capacitor Value: None
<b>WIRE DIAGRAM</b>	<b>MODEL:</b> 7C570-581,630-635,640-641, 644-646,671-672,680-681,731-734	 <b>DAYTON ELECTRIC MANUFACTURING CO.</b> 100 GRAINGER PARKWAY LAKE FOREST, IL 60045 USA		
Revision Date: 11-21-2012				Page 3 of 4

7-Combo No.	Motor SKU	Gearbox SKU	Multiplier SKU	Length Less Shaft "L" Dimension (IN)	Shaft Rotation with Respect to Motor Shaft	No Load Speed (RPM)	Estimated Full Load Speed (RPM)	Gear Box Ratio	Max. Torque (IN-LB)	Max. Over Hung Load (LB)	Max. Thrust Load (LB)
7C570	23L378	23L515	None	6.08	Same	1067	1000	3:1	1.71	26.46	11.0
7C571	23L378	23L516	None	6.08	Same	889	833	3.6:1	2.05	26.46	11.0
7C572	23L378	23L517	None	6.08	Same	640	600	5:1	2.85	26.46	11.0
7C573	23L378	23L518	None	6.08	Same	533	500	6:1	3.42	26.46	11.0
7C574	23L378	23L519	None	6.08	Same	427	400	7.5:1	4.28	26.46	11.0
7C575	23L378	23L520	None	6.08	Same	356	333	9:1	5.13	26.46	11.0
7C576	23L378	23L521	None	6.08	Same	320	300	10:1	5.70	26.46	11.0
7C577	23L378	23L522	None	6.08	Same	256	240	12.5:1	7.13	26.46	11.0
7C578	23L378	23L523	None	6.08	Same	213	200	15:1	8.55	26.46	11.0
7C579	23L378	23L524	None	6.08	Same	178	166	18:1	10.3	26.46	11.0
7C580	23L378	23L525	None	6.49	Opposite	160	150	20:1	10.3	52.91	11.0
7C581	23L378	23L526	None	6.49	Opposite	128	120	25:1	12.8	52.91	11.0
7C630	23L378	23L527	None	6.49	Opposite	107	100	30:1	15.4	52.91	11.0
7C631	23L378	23L528	None	6.49	Opposite	88.9	83.3	36:1	18.5	52.91	11.0
7C632	23L378	23L529	None	6.49	Opposite	80.0	75.0	40:1	20.6	52.91	11.0
7C633	23L378	23L530	None	6.49	Same	64.0	60.0	50:1	23.2	52.91	11.0
7C634	23L378	23L531	None	6.49	Same	53.3	50.0	60:1	27.9	52.91	11.0
7C635	23L378	23L532	None	6.49	Same	42.7	40.0	75:1	34.8	52.91	11.0
7C640	23L378	23L533	None	6.49	Same	35.6	33.3	90:1	41.8	52.91	11.0
7C641	23L378	23L534	None	6.49	Same	32.0	30.0	100:1	46.5	52.91	11.0
7C644	23L378	23L535	None	6.49	Same	26.7	25.0	120:1	55.8	52.91	11.0
7C645	23L378	23L536	None	6.49	Same	21.3	20.0	150:1	69.4	52.91	11.0
7C646	23L378	23L537	None	6.49	Same	17.8	16.8	180:1	69.4	52.91	11.0
7C671	23L378	23L538	None	6.49	Same	16.0	15.2	200:1	69.4	52.91	11.0
7C672	23L378	23L528	23L539	7.75	Same	8.89	8.63	360:1	69.4	52.91	11.0
7C680	23L378	23L531	23L539	7.75	Same	5.33	5.23	600:1	69.4	52.91	11.0
7C681	23L378	23L532	23L539	7.75	Same	4.27	4.20	750:1	69.4	52.91	11.0
7C731	23L378	23L533	23L539	7.75	Same	3.56	3.51	900:1	69.4	52.91	11.0
7C732	23L378	23L535	23L539	7.75	Same	2.67	2.64	1200:1	69.4	52.91	11.0
7C733	23L378	23L536	23L539	7.75	Same	2.13	2.11	1500:1	69.4	52.91	11.0
7C734	23L378	23L537	23L539	7.75	Same	1.78	1.76	1800:1	69.4	52.91	11.0

## SPECIFICATIONS

### MODEL:

7C570-581,630-635,640-641,  
644-646,671-672,680-681,731-734



DAYTON ELECTRIC MANUFACTURING CO.  
100 GRAINGER PARKWAY  
LAKE FOREST, IL 60045 USA