



AC PSC MOTOR WITH
CONDUIT BOX



GEARBOX MULTIPLIER



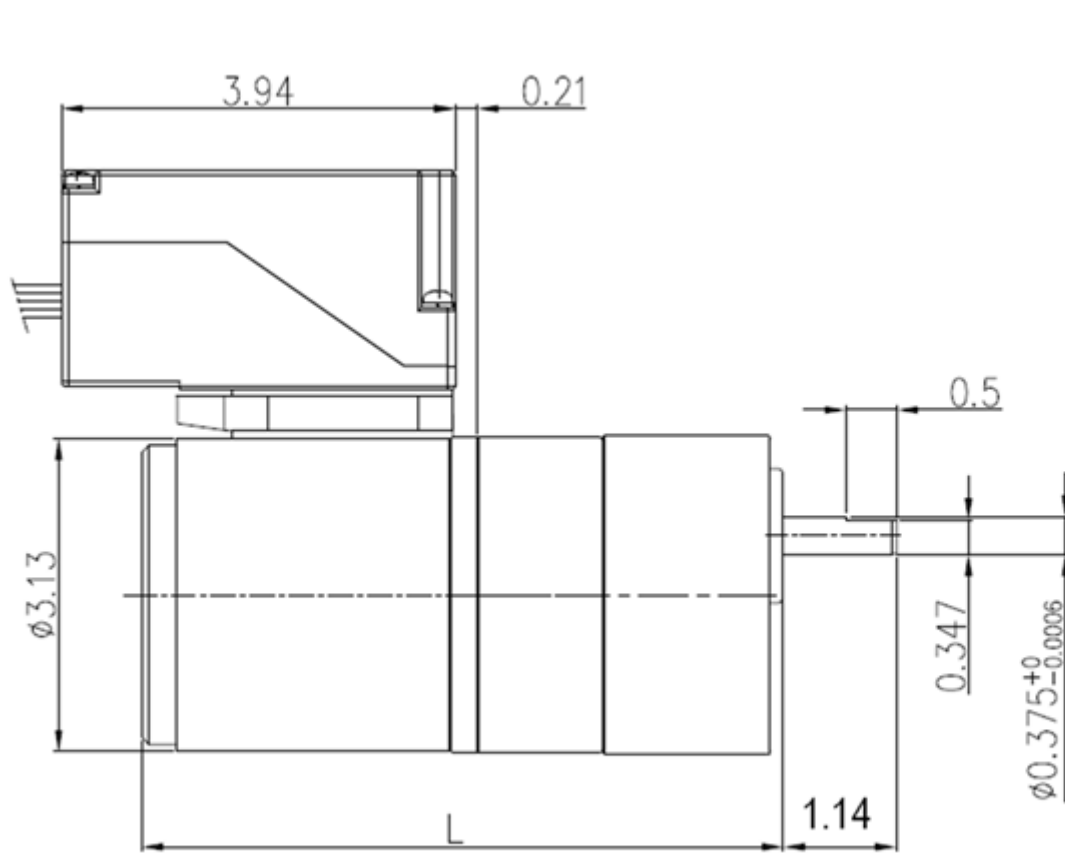
PARALLEL GEARBOX

ASSEMBLY INFO

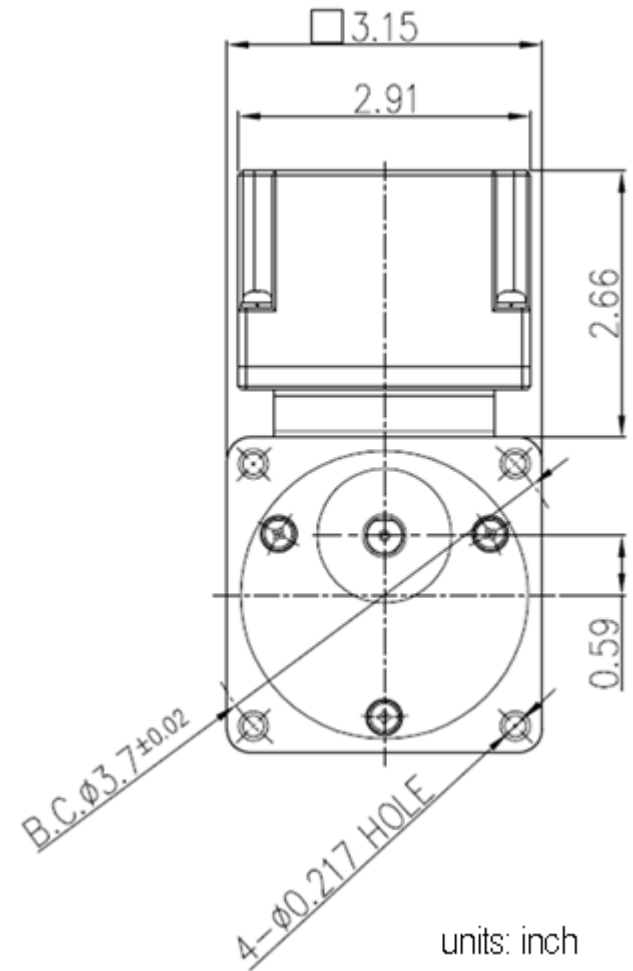
MODEL:
7AY89-7AZ19



DAYTON ELECTRIC MANUFACTURING CO.
100 GRAINGER PARKWAY
LAKE FOREST, IL 60045 USA



Note: Conduit hole is 0.85" unthreaded.



units: inch

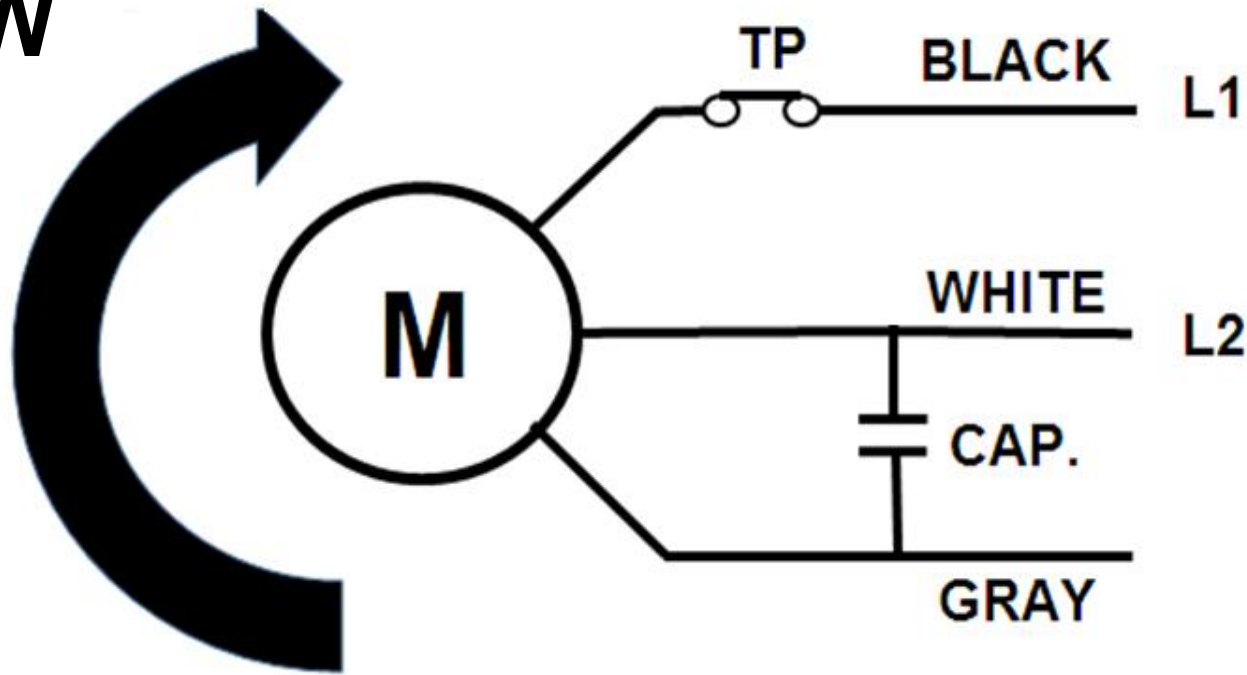
OUTLINE DRAWING

MODEL:
7AY89-7AZ19




DAYTON ELECTRIC MANUFACTURING CO.
100 GRAINGER PARKWAY
LAKE FOREST, IL 60045 USA

CW



CW ROTATION SHOWN AT THE SHAFT END.
CONNECT L2 TO GRAY WIRE INSTEAD OF WHITE
WIRE TO REVERSE MOTOR DIRECTION.

HP: 1/30	Watt: 25	Speed: 1550 RPM	Volt: 220 VAC / 1 Phase	FLA: 0.21	Freq: 60 Hz	Capacitor Value: 1.5 MFD / 450 VAC
WIRE DIAGRAM			MODEL: 7AY89-7AZ19		DAYTON ELECTRIC MANUFACTURING CO. 100 GRAINGER PARKWAY LAKE FOREST, IL 60045 USA	

7-Combo No.	Motor SKU	Gearbox SKU	Multiplier SKU	Length Less Shaft "L" Dimension (IN)	Shaft Rotation with Respect to Motor Shaft	No Load Speed (RPM)	Estimated Full Load Speed (RPM)	Gear Box Ratio	Max. Torque (IN-LB)	Max. Over Hung Load (LB)	Max. Thrust Load (LB)
7AY89	23L371	23L515	None	4.73	Same	600	516	3:1	3.21	26.46	11.0
7AY90	23L371	23L516	None	4.73	Same	500	430	3.6:1	3.85	26.46	11.0
7AY91	23L371	23L517	None	4.73	Same	360	310	5:1	5.35	26.46	11.0
7AY92	23L371	23L518	None	4.73	Same	300	254	6:1	6.42	26.46	11.0
7AY93	23L371	23L519	None	4.73	Same	240	206	7.5:1	8.02	26.46	11.0
7AY94	23L371	23L520	None	4.73	Same	200	172	9:1	9.62	26.46	11.0
7AY95	23L371	23L521	None	4.73	Same	180	155	10:1	10.7	26.46	11.0
7AY96	23L371	23L522	None	4.73	Same	144	124	12.5:1	13.4	26.46	11.0
7AY97	23L371	23L523	None	4.73	Same	120	103	15:1	16.0	26.46	11.0
7AY98	23L371	23L524	None	4.73	Same	100	86	18:1	19.2	26.46	11.0
7AY99	23L371	23L525	None	5.14	Opposite	90	77	20:1	19.3	52.91	11.0
7AZ00	23L371	23L526	None	5.14	Opposite	72	62	25:1	24.1	52.91	11.0
7AZ01	23L371	23L527	None	5.14	Opposite	60	52	30:1	28.9	52.91	11.0
7AZ02	23L371	23L528	None	5.14	Opposite	50	43	36:1	34.7	52.91	11.0
7AZ03	23L371	23L529	None	5.14	Opposite	45	38	40:1	38.5	52.91	11.0
7AZ04	23L371	23L530	None	5.14	Same	36	31	50:1	43.6	52.91	11.0
7AZ05	23L371	23L531	None	5.14	Same	30	25.8	60:1	52.3	52.91	11.0
7AZ06	23L371	23L532	None	5.14	Same	24	20.7	75:1	65.3	52.91	11.0
7AZ07	23L371	23L533	None	5.14	Same	20	17.2	90:1	69.4	52.91	11.0
7AZ08	23L371	23L534	None	5.14	Same	18	15.5	100:1	69.4	52.91	11.0
7AZ09	23L371	23L535	None	5.14	Same	15	12.9	120:1	69.4	52.91	11.0
7AZ10	23L371	23L536	None	5.14	Same	12	10.3	150:1	69.4	52.91	11.0
7AZ11	23L371	23L537	None	5.14	Same	10	8.6	180:1	69.4	52.91	11.0
7AZ12	23L371	23L538	None	5.14	Same	9.0	7.7	200:1	69.4	52.91	11.0
7AZ13	23L371	23L528	23L539	6.40	Same	5.0	4.8	360:1	69.4	52.91	11.0
7AZ14	23L371	23L531	23L539	6.40	Same	3.0	2.9	600:1	69.4	52.91	11.0
7AZ15	23L371	23L532	23L539	6.40	Same	2.4	2.8	750:1	69.4	52.91	11.0
7AZ16	23L371	23L533	23L539	6.40	Same	2.0	1.9	900:1	69.4	52.91	11.0
7AZ17	23L371	23L535	23L539	6.40	Same	1.5	1.45	1200:1	69.4	52.91	11.0
7AZ18	23L371	23L536	23L539	6.40	Same	1.2	1.2	1500:1	69.4	52.91	11.0
7AZ19	23L371	23L537	23L539	6.40	Same	1.0	1.0	1800:1	69.4	52.91	11.0

SPECIFICATIONS

MODEL:
7AY89-7AZ19



DAYTON ELECTRIC MANUFACTURING CO.
100 GRAINGER PARKWAY
LAKE FOREST, IL 60045 USA