

AC PSC MOTOR WITH
ELECTROMAGNETIC BRAKE



GEARBOX MULTIPLIER



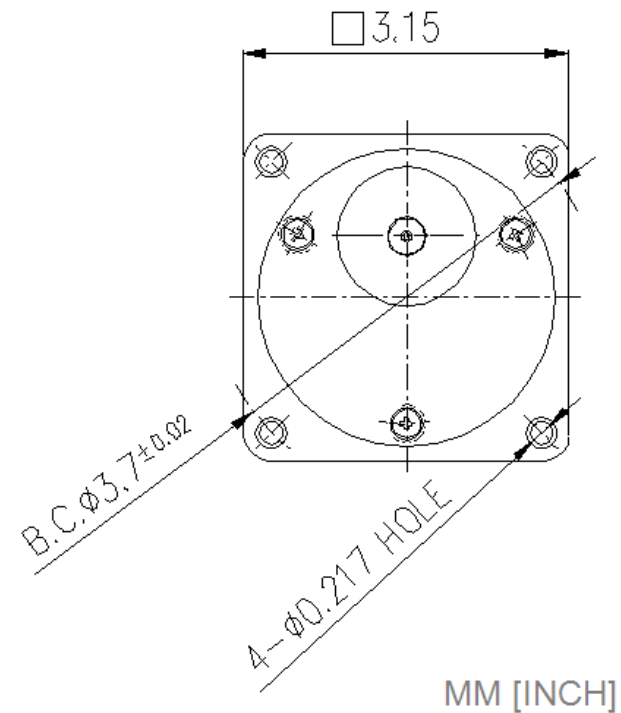
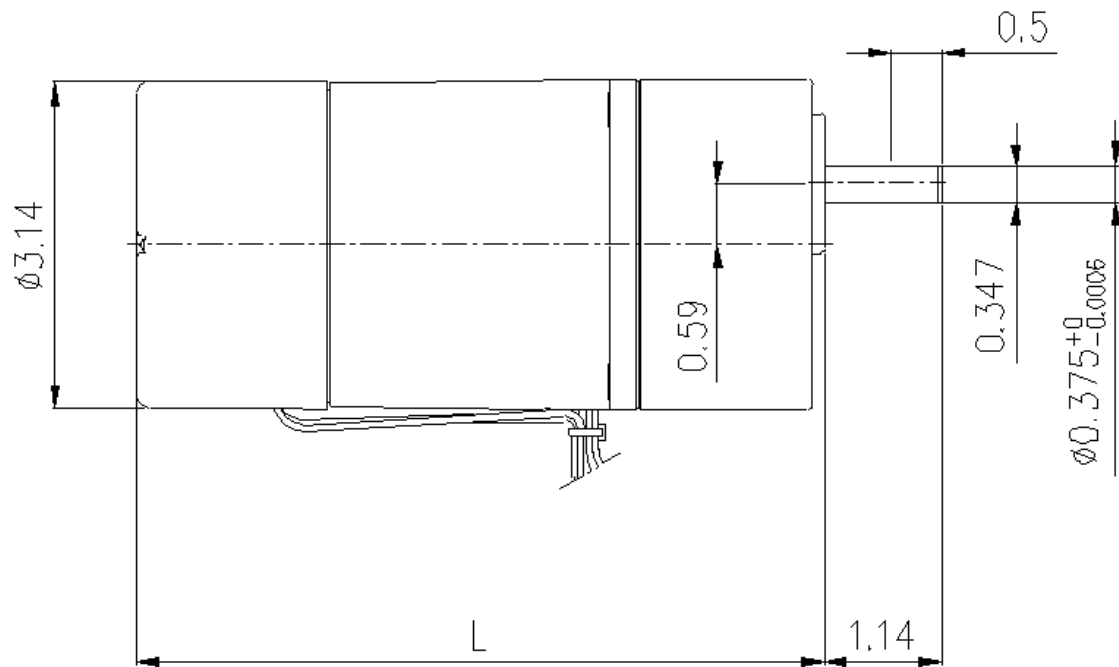
PARALLEL GEARBOX

ASSEMBLY INFO

MODEL:
7AZ20-7AZ50



DAYTON ELECTRIC MANUFACTURING CO.
100 GRAINGER PARKWAY
LAKE FOREST, IL 60045 USA

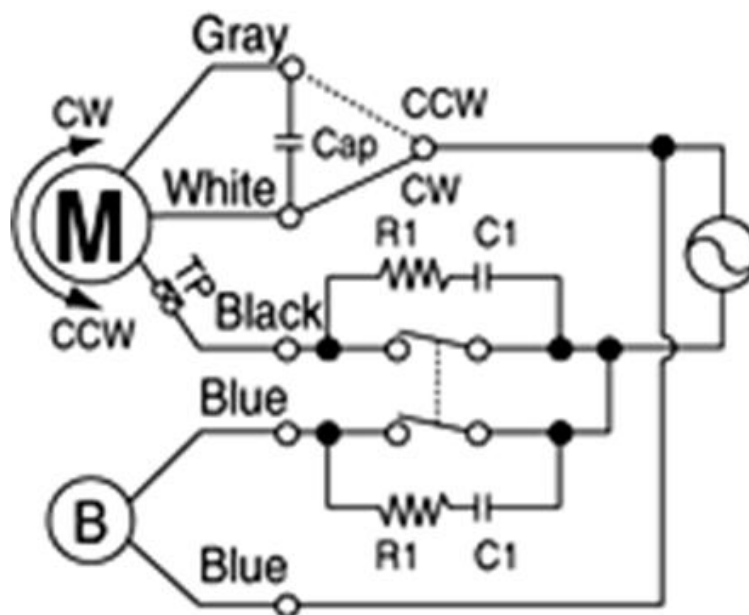


OUTLINE DRAWING

MODEL:
7AZ20-7AZ50



DAYTON ELECTRIC MANUFACTURING CO.
100 GRAINGER PARKWAY
LAKE FOREST, IL 60045 USA



NOTES:

1. Motor is rated for **30 minute duty max.**
2. The R1, C1 and line switch are to be supplied by user.
3. The recommended values for R1 and C1 are:
R1= 10 to 200 Ohm, min 1/4W rating
C1 = 0.1 to 0.33 MFD, min. 125 WVAC (115 V motor) or 250WVAC (220V Motor)

HP: 1/30 Watt: 25 Speed: 1600 RPM

Volt: 115 VAC / 1 Phase FLA: 0.55 Freq: 60 Hz

Capacitor Value: 8 MFD / 250 VAC

WIRE DIAGRAM

MODEL:
7AZ20-7AZ50



DAYTON ELECTRIC MANUFACTURING CO.
100 GRAINGER PARKWAY
LAKE FOREST, IL 60045 USA

7-Combo No.	Motor SKU	Gearbox SKU	Multiplier SKU	Length less Shaft "L" Dimension (IN)	Shaft Rotation with Respect to Motor Shaft	No Load Speed (RPM)	Estimated Full Load Speed (RPM)	Gear Box Ratio	Max. Torque (IN-LB)	Max. Over Hung Load (LB)	Max. Thrust Load (LB)
7AZ20	23L372	23L515	None	6.24	Same	600	533	3:1	3.21	26.46	11.0
7AZ21	23L372	23L516	None	6.24	Same	500	444	3.6:1	3.85	26.46	11.0
7AZ22	23L372	23L517	None	6.24	Same	360	320	5:1	5.35	26.46	11.0
7AZ23	23L372	23L518	None	6.24	Same	300	267	6:1	6.42	26.46	11.0
7AZ24	23L372	23L519	None	6.24	Same	240	213	7.5:1	8.02	26.46	11.0
7AZ25	23L372	23L520	None	6.24	Same	200	178	9:1	9.62	26.46	11.0
7AZ26	23L372	23L521	None	6.24	Same	180	160	10:1	10.7	26.46	11.0
7AZ27	23L372	23L522	None	6.24	Same	144	128	12.5:1	13.4	26.46	11.0
7AZ28	23L372	23L523	None	6.24	Same	120	107	15:1	16.0	26.46	11.0
7AZ29	23L372	23L524	None	6.24	Same	100	88.9	18:1	19.2	26.46	11.0
7AZ30	23L372	23L525	None	6.65	Opposite	90	80.0	20:1	19.3	52.91	11.0
7AZ31	23L372	23L526	None	6.65	Opposite	72	64.0	25:1	24.1	52.91	11.0
7AZ32	23L372	23L527	None	6.65	Opposite	60	53.3	30:1	28.9	52.91	11.0
7AZ33	23L372	23L528	None	6.65	Opposite	50	44.4	36:1	34.7	52.91	11.0
7AZ34	23L372	23L529	None	6.65	Opposite	45	40.0	40:1	38.5	52.91	11.0
7AZ35	23L372	23L530	None	6.65	Same	36	32.0	50:1	43.6	52.91	11.0
7AZ36	23L372	23L531	None	6.65	Same	30	26.7	60:1	52.3	52.91	11.0
7AZ37	23L372	23L532	None	6.65	Same	24	21.3	75:1	65.3	52.91	11.0
7AZ38	23L372	23L533	None	6.65	Same	20	18.3	90:1	69.4	52.91	11.0
7AZ39	23L372	23L534	None	6.65	Same	18	16.6	100:1	69.4	52.91	11.0
7AZ40	23L372	23L535	None	6.65	Same	15	14	120:1	69.4	52.91	11.0
7AZ41	23L372	23L536	None	6.65	Same	12	11.4	150:1	69.4	52.91	11.0
7AZ42	23L372	23L537	None	6.65	Same	10	9.6	180:1	69.4	52.91	11.0
7AZ43	23L372	23L538	None	6.65	Same	9.0	8.7	200:1	69.4	52.91	11.0
7AZ44	23L372	23L528	23L539	7.91	Same	5.0	4.9	360:1	69.4	52.91	11.0
7AZ45	23L372	23L531	23L539	7.91	Same	3.0	2.9	600:1	69.4	52.91	11.0
7AZ46	23L372	23L532	23L539	7.91	Same	2.4	2.4	750:1	69.4	52.91	11.0
7AZ47	23L372	23L533	23L539	7.91	Same	2.0	2.0	900:1	69.4	52.91	11.0
7AZ48	23L372	23L535	23L539	7.91	Same	1.5	1.5	1200:1	69.4	52.91	11.0
7AZ49	23L372	23L536	23L539	7.91	Same	1.2	1.2	1500:1	69.4	52.91	11.0
7AZ50	23L372	23L537	23L539	7.91	Same	1.0	1.0	1800:1	69.4	52.91	11.0

SPECIFICATIONS

MODEL:
7AZ20-7AZ50



DAYTON ELECTRIC MANUFACTURING CO.
100 GRAINGER PARKWAY
LAKE FOREST, IL 60045 USA