

AC PSC MOTOR WITH
ELECTROMAGNETIC BRAKE



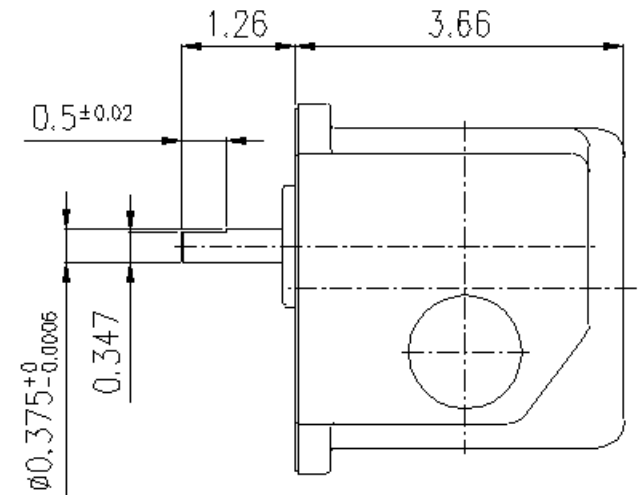
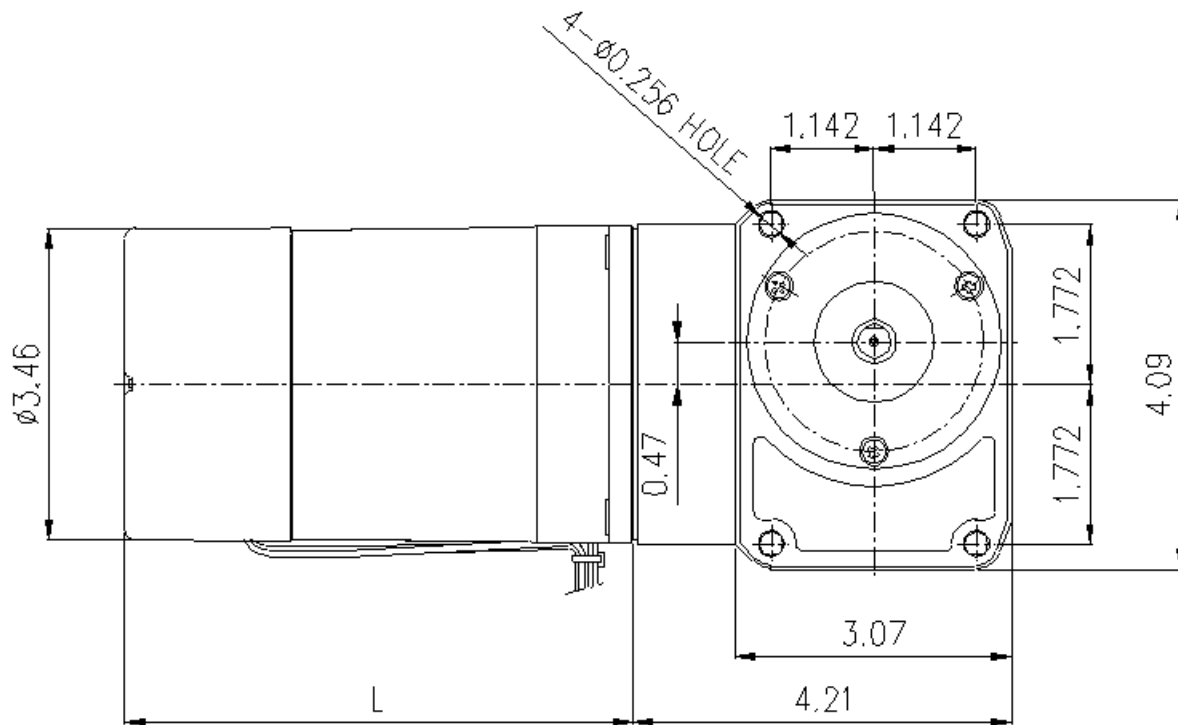
RIGHT ANGLE GEARBOX

ASSEMBLY INFO

MODEL:
7C813-828,7C830,
7C834,C836,7C838,
7C850-851



DAYTON ELECTRIC MANUFACTURING CO.
100 GRAINGER PARKWAY
LAKE FOREST, IL 60045 USA

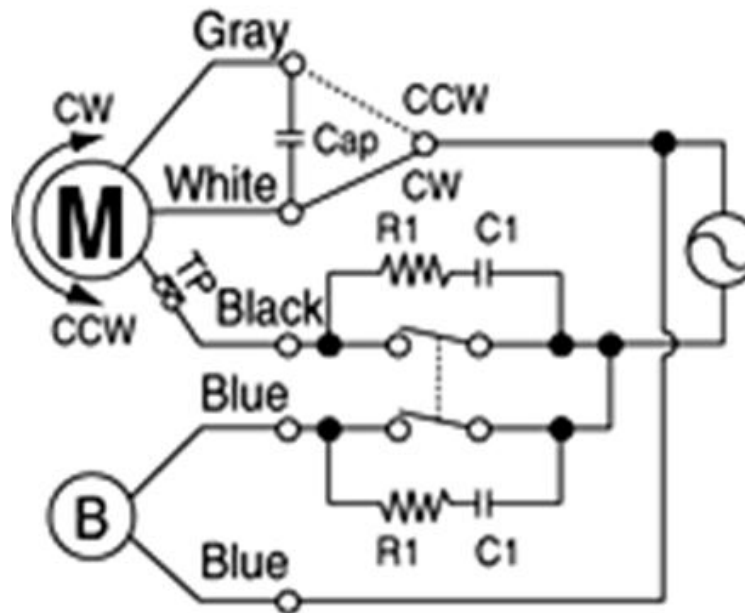


OUTLINE DRAWING

MODEL:
7C813-828,7C830,
7C834,C836,7C838,
7C850-851



DAYTON ELECTRIC MANUFACTURING CO.
100 GRAINGER PARKWAY
LAKE FOREST, IL 60045 USA



NOTES:

1. Motor is rated for **30 minute duty max.**
2. The R1, C1 and line switch are to be supplied by user.
3. The recommended values for R1 and C1 are:
R1= 10 to 200 Ohm, min 1/4W rating
C1 = 0.1 to 0.33 MFD, min. 125 WVAC (115 V motor) or 250WVAC (220V Motor)

HP: 1/30 Watt: 25 Speed: 1600 RPM Volt: 115 VAC / 1 Phase FLA: 0.55 Freq: 60 Hz Capacitor Value: 8 MFD / 250 VAC

WIRE DIAGRAM

MODEL:
7C813-828,7C830,
7C834,C836,7C838,
7C850-851



DAYTON ELECTRIC MANUFACTURING CO.
100 GRAINGER PARKWAY
LAKE FOREST, IL 60045 USA

7-Combo No.	Motor SKU	Gearbox SKU	"L" Dimension (IN)	Shaft Rotation with Respect to Motor Shaft	No Load Speed (RPM)	Estimated Full Load Speed (RPM)	Gear Box Ratio	Max. Torque (IN-LB)	Max. Over Hung Load (LB)	Max. Thrust Load (LB)
7C813	23L372	23L409	4.86	Opposite	600	533	3:1	2.4	33.7	22.48
7C814	23L372	23L410	4.86	Opposite	500	444	3.6:1	2.9	33.7	22.48
7C815	23L372	23L411	4.86	Opposite	360	320	5:1	4.0	33.7	22.48
7C816	23L372	23L412	4.86	Opposite	300	266	6:1	4.8	33.7	22.48
7C817	23L372	23L413	4.86	Opposite	240	213	7.5:1	5.9	33.7	22.48
7C819	23L372	23L414	4.86	Opposite	200	177	9:1	7.1	33.7	22.48
7C820	23L372	23L415	4.86	Opposite	144	128	12.5:1	8.3	33.7	22.48
7C821	23L372	23L416	4.86	Opposite	120	106	15:1	9.9	33.7	22.48
7C822	23L372	23L417	4.86	Opposite	100	88.8	18:1	11.9	33.7	22.48
7C823	23L372	23L418	4.86	Opposite	72	64	25:1	16.5	67.4	22.48
7C825	23L372	23L419	4.86	Opposite	60	53.3	30:1	19.8	67.4	22.48
7C826	23L372	23L420	4.86	Opposite	50	44	36:1	23.8	67.4	22.48
7C827	23L372	23L421	4.86	Opposite	36	32	50:1	33.0	67.4	22.48
7C828	23L372	23L422	4.86	Opposite	30	26.6	60:1	39.6	67.4	22.48
7C830	23L372	23L423	4.86	Opposite	24	21.3	75:1	49.5	67.4	22.48
7C834	23L372	23L424	4.86	Opposite	20	17.7	90:1	59.4	67.4	22.48
7C836	23L372	23L425	4.86	Opposite	18	16	100:1	66.0	67.4	22.48
7C838	23L372	23L426	4.86	Opposite	15	13.2	120:1	70.8	67.4	22.48
7C850	23L372	23L427	4.86	Opposite	12	10.7	150:1	70.8	67.4	22.48
7C851	23L372	23L428	4.86	Opposite	10	8.9	180:1	70.8	67.4	22.48

SPECIFICATIONS

MODEL:
7C813-828,7C830,
7C834,C836,7C838,
7C850-851



DAYTON ELECTRIC MANUFACTURING CO.
100 GRAINGER PARKWAY
LAKE FOREST, IL 60045 USA