

**AC PSC MOTOR WITH
ELECTROMAGNETIC BRAKE**



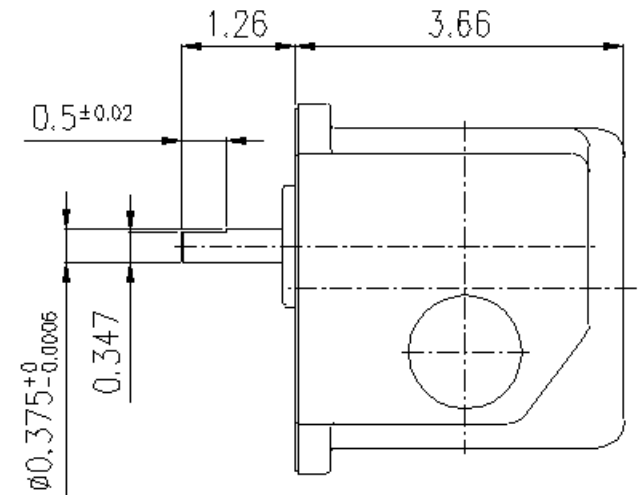
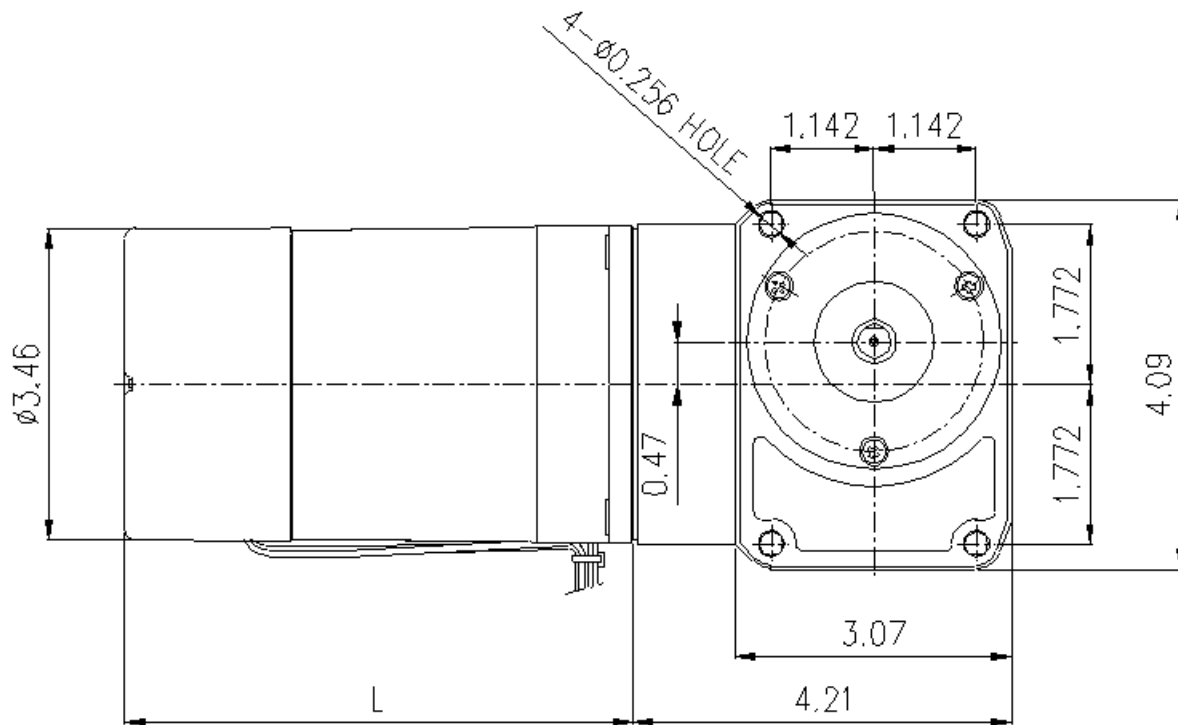
RIGHT ANGLE GEARBOX

ASSEMBLY INFO

MODEL:
7C857,7C859,7C909-926



DAYTON ELECTRIC MANUFACTURING CO.
100 GRAINGER PARKWAY
LAKE FOREST, IL 60045 USA

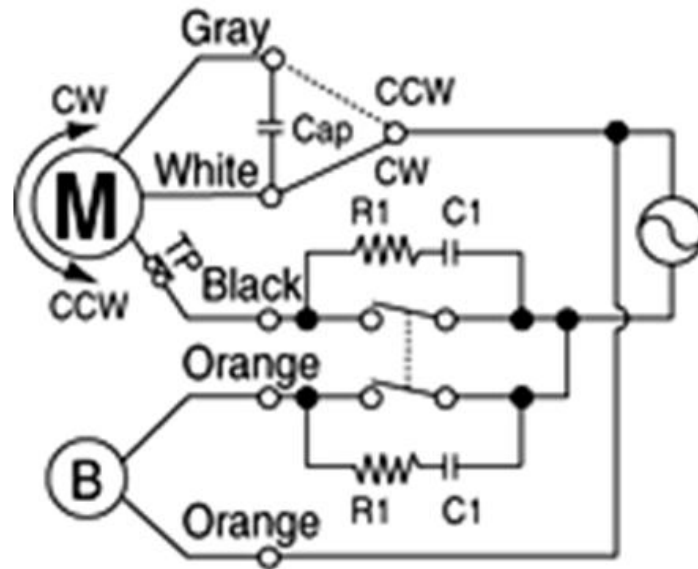


OUTLINE DRAWING

MODEL:
7C857,7C859,7C909-926




DAYTON ELECTRIC MANUFACTURING CO.
100 GRAINGER PARKWAY
LAKE FOREST, IL 60045 USA



NOTES:

1. Motor is rated for **30 minute duty max.**
2. The R1, C1 and line switch are to be supplied by user.
3. The recommended values for R1 and C1 are:
R1= 10 to 200 Ohm, min 1/4W rating
C1 = 0.1 to 0.33 MFD, min. 125 WVAC (115 V motor) or 250WVAC (220V Motor)

HP: 1/30	Watt: 25	Speed: 1600 RPM	Volt: 220 VAC / 1 Phase	FLA: 0.28	Freq: 60 Hz	Capacitor Value: 2 MFD / 450 VAC
WIRE DIAGRAM			MODEL: 7C857,7C859,7C909-926		 DAYTON ELECTRIC MANUFACTURING CO. 100 GRAINGER PARKWAY LAKE FOREST, IL 60045 USA	
			Revision Date: 11-21-2012			

7-Combo No.	Motor SKU	Gearbox SKU	"L" Dimension (IN)	Shaft Rotation with Respect to Motor Shaft	No Load Speed (RPM)	Estimated Full Load Speed (RPM)	Gear Box Ratio	Max. Torque (IN-LB)	Max. Over Hung Load (LB)	Max. Thrust Load (LB)
7C857	23L373	23L409	4.86	Opposite	600	533	3:1	2.4	33.7	22.48
7C859	23L373	23L410	4.86	Opposite	500	444	3.6:1	2.9	33.7	22.48
7C909	23L373	23L411	4.86	Opposite	360	320	5:1	4.0	33.7	22.48
7C910	23L373	23L412	4.86	Opposite	300	266	6:1	4.8	33.7	22.48
7C911	23L373	23L413	4.86	Opposite	240	213	7.5:1	5.9	33.7	22.48
7C912	23L373	23L414	4.86	Opposite	200	177	9:1	7.1	33.7	22.48
7C913	23L373	23L415	4.86	Opposite	144	128	12.5:1	8.3	33.7	22.48
7C914	23L373	23L416	4.86	Opposite	120	106	15:1	9.9	33.7	22.48
7C915	23L373	23L417	4.86	Opposite	100	88.8	18:1	11.9	33.7	22.48
7C916	23L373	23L418	4.86	Opposite	72	64	25:1	16.5	67.4	22.48
7C917	23L373	23L419	4.86	Opposite	60	53.3	30:1	19.8	67.4	22.48
7C918	23L373	23L420	4.86	Opposite	50	44	36:1	23.8	67.4	22.48
7C919	23L373	23L421	4.86	Opposite	36	32	50:1	33.0	67.4	22.48
7C920	23L373	23L422	4.86	Opposite	30	26.6	60:1	39.6	67.4	22.48
7C921	23L373	23L423	4.86	Opposite	24	21.3	75:1	49.5	67.4	22.48
7C922	23L373	23L424	4.86	Opposite	20	17.7	90:1	59.4	67.4	22.48
7C923	23L373	23L425	4.86	Opposite	18	16	100:1	66.0	67.4	22.48
7C924	23L373	23L426	4.86	Opposite	15	13.2	120:1	70.8	67.4	22.48
7C925	23L373	23L427	4.86	Opposite	12	10.7	150:1	70.8	67.4	22.48
7C926	23L373	23L428	4.86	Opposite	10	8.9	180:1	70.8	67.4	22.48

SPECIFICATIONS

MODEL:

7C857,7C859,7C909-926



DAYTON ELECTRIC MANUFACTURING CO.
100 GRAINGER PARKWAY
LAKE FOREST, IL 60045 USA