



DC MOTOR



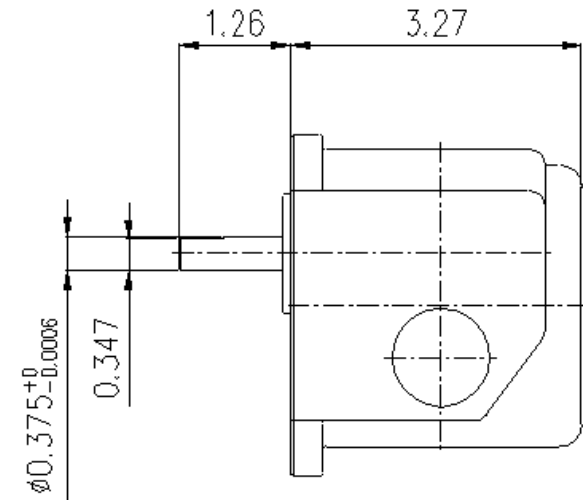
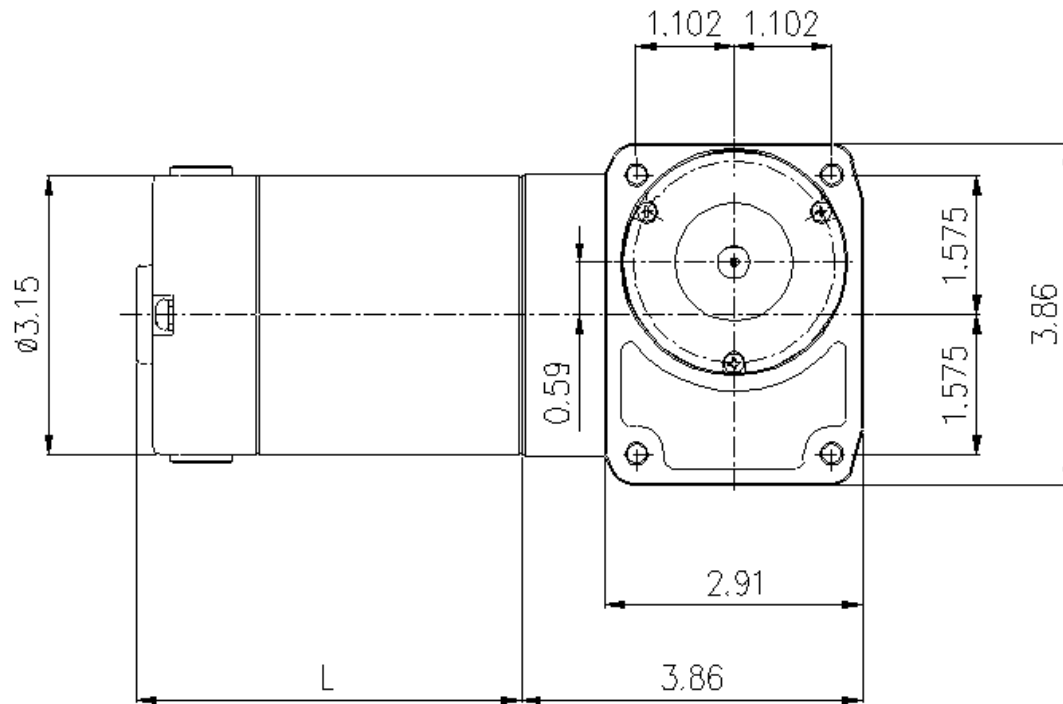
RIGHT ANGLE GEARBOX

## ASSEMBLY INFO

MODEL:  
7CA32-A51

**Dayton**®

DAYTON ELECTRIC MANUFACTURING CO.  
100 GRAINGER PARKWAY  
LAKE FOREST, IL 60045 USA

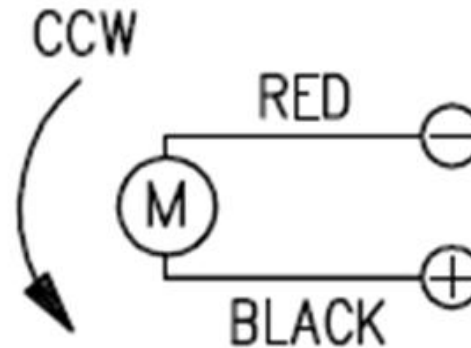
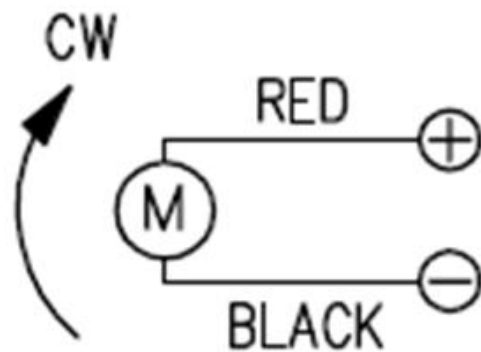


**OUTLINE DRAWING**

**MODEL:**  
7CA32-A51




**DAYTON ELECTRIC MANUFACTURING CO.**  
100 GRAINGER PARKWAY  
LAKE FOREST, IL 60045 USA



NOTE:

1. THIS MOTOR HAS A 1.0 FORM FACTOR (FF) RATING, SO THE MOTOR SUPPLY MUST HAVE THE SAME RATING.
2. USING A MOTOR SUPPLY WHICH HAS A HIGHER FF RATING WILL OVERHEAT THE MOTOR.

HP: 1/30	Watt: 25	Speed: 3100 RPM	Volt: 12 DC	FLA: 3.8	FF: 1.0	Capacitor Value: None
<b>WIRE DIAGRAM</b>			MODEL:			DAYTON ELECTRIC MANUFACTURING CO. 100 GRAINGER PARKWAY LAKE FOREST, IL 60045 USA
			7CA32-A51			
Revision Date: 11-21-2012						Page 3 of 4

7-Combo No.	Motor SKU	Gearbox SKU	"L" Dimension (IN)	Shaft Rotation with Respect to Motor Shaft	No Load Speed (RPM)	Estimated Full Load Speed (RPM)	Gear Box Ratio	Max. Torque (IN-LB)	Max. Over Hung Load (LB)	Max. Thrust Load (LB)
7CA32	23L376	23L409	4.70	Opposite	1067	1033	3:1	2.4	33.7	22.48
7CA33	23L376	23L410	4.70	Opposite	889	861	3.6:1	2.9	33.7	22.48
7CA34	23L376	23L411	4.70	Opposite	640	620	5:1	4.0	33.7	22.48
7CA35	23L376	23L412	4.70	Opposite	533	517	6:1	4.8	33.7	22.48
7CA36	23L376	23L413	4.70	Opposite	427	413	7.5:1	5.9	33.7	22.48
7CA37	23L376	23L414	4.70	Opposite	356	344	9:1	7.1	33.7	22.48
7CA38	23L376	23L415	4.70	Opposite	256	248	12.5:1	8.3	33.7	22.48
7CA39	23L376	23L416	4.70	Opposite	213	207	15:1	9.9	33.7	22.48
7CA40	23L376	23L417	4.70	Opposite	178	172	18:1	11.9	33.7	22.48
7CA41	23L376	23L418	4.70	Opposite	128	124	25:1	16.5	67.4	22.48
7CA42	23L376	23L419	4.70	Opposite	107	103	30:1	19.8	67.4	22.48
7CA43	23L376	23L420	4.70	Opposite	88.9	86.1	36:1	23.8	67.4	22.48
7CA44	23L376	23L421	4.70	Opposite	64.0	62.0	50:1	33.0	67.4	22.48
7CA45	23L376	23L422	4.70	Opposite	53.3	51.7	60:1	39.6	67.4	22.48
7CA46	23L376	23L423	4.70	Opposite	42.7	41.3	75:1	49.5	67.4	22.48
7CA47	23L376	23L424	4.70	Opposite	35.6	34.4	90:1	59.4	67.4	22.48
7CA48	23L376	23L425	4.70	Opposite	32.0	31.0	100:1	66.0	67.4	22.48
7CA49	23L376	23L426	4.70	Opposite	26.7	25.8	120:1	70.8	67.4	22.48
7CA50	23L376	23L427	4.70	Opposite	21.3	20.7	150:1	70.8	67.4	22.48
7CA51	23L376	23L428	4.70	Opposite	17.8	17.2	180:1	70.8	67.4	22.48

## SPECIFICATIONS

**MODEL:**  
7CA32-A51



DAYTON ELECTRIC MANUFACTURING CO.  
100 GRAINGER PARKWAY  
LAKE FOREST, IL 60045 USA