



DC MOTOR



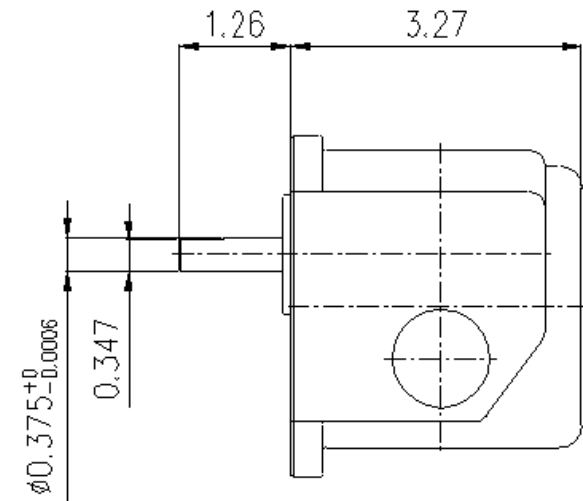
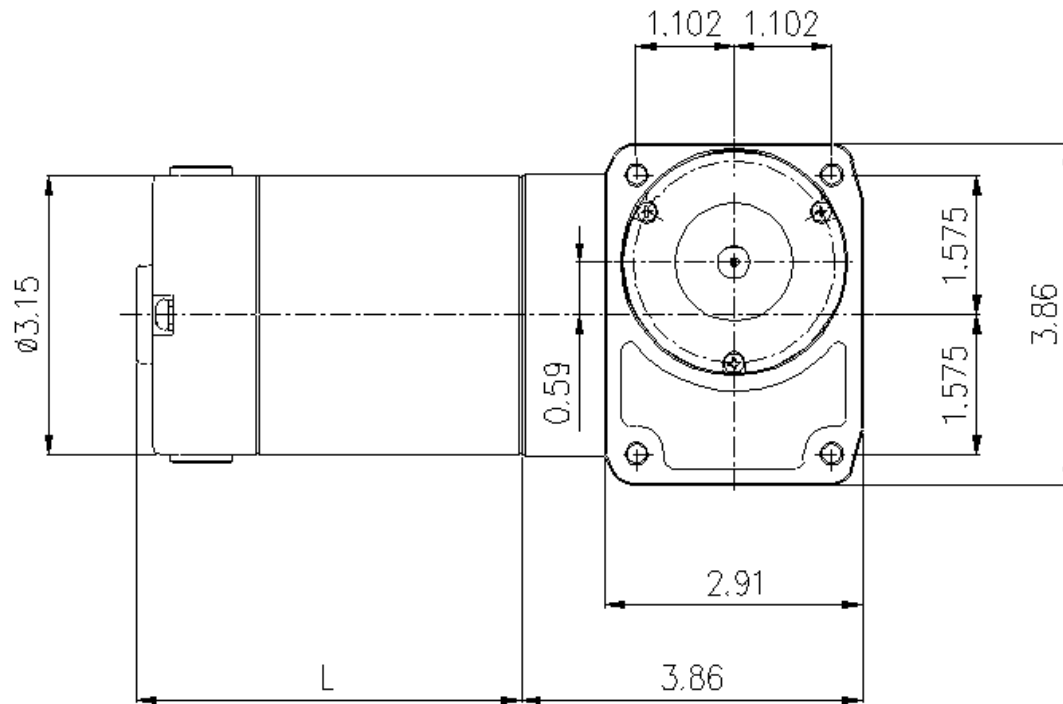
RIGHT ANGLE GEARBOX

## ASSEMBLY INFO

MODEL:  
7CA52-A71

**Dayton**®

DAYTON ELECTRIC MANUFACTURING CO.  
100 GRAINGER PARKWAY  
LAKE FOREST, IL 60045 USA

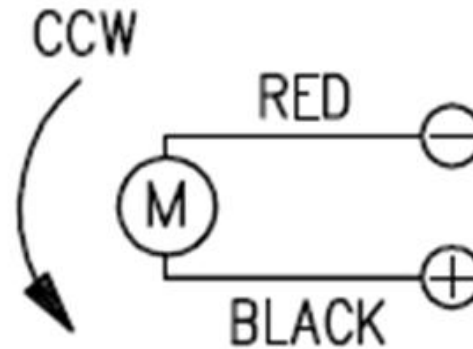
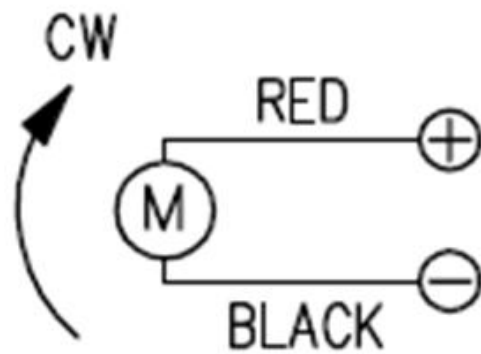


**OUTLINE DRAWING**

**MODEL:**  
7CA52-A71




**DAYTON ELECTRIC MANUFACTURING  
CO.**  
100 GRAINGER PARKWAY  
LAKE FOREST, IL 60045 USA



NOTE:

1. THIS MOTOR HAS A 1.0 FORM FACTOR (FF) RATING, SO THE MOTOR SUPPLY MUST HAVE THE SAME RATING.
2. USING A MOTOR SUPPLY WHICH HAS A HIGHER FF RATING WILL OVERHEAT THE MOTOR.

HP: 1/30	Watt: 25	Speed: 2850 RPM	Volt: 24 DC	FLA: 1.7	FF: 1.0	Capacitor Value: None
<b>WIRE DIAGRAM</b>		MODEL: 7CA52-A71		 <b>DAYTON ELECTRIC MANUFACTURING CO.</b> 100 GRAINGER PARKWAY LAKE FOREST, IL 60045 USA		
		Revision Date: 11-21-2012		Page 3 of 4		

7-Combo No.	Motor SKU	Gearbox SKU	"L" Dimension (IN)	Shaft Rotation with Respect to Motor Shaft	No Load Speed (RPM)	Estimated Full Load Speed (RRM)	Gear Box Ratio	Max. Torque (IN-LB)	Max. Over Hung Load (LB)	Max. Thrust Load (LB)
7CA52	23L377	23L409	4.70	Opposite	1000	950	3:1	2.4	33.7	22.48
7CA53	23L377	23L410	4.70	Opposite	833	792	3.6:1	2.9	33.7	22.48
7CA54	23L377	23L411	4.70	Opposite	600	570	5:1	4.0	33.7	22.48
7CA55	23L377	23L412	4.70	Opposite	500	475	6:1	4.8	33.7	22.48
7CA56	23L377	23L413	4.70	Opposite	400	380	7.5:1	5.9	33.7	22.48
7CA57	23L377	23L414	4.70	Opposite	333	317	9:1	7.1	33.7	22.48
7CA58	23L377	23L415	4.70	Opposite	240	228	12.5:1	8.3	33.7	22.48
7CA59	23L377	23L416	4.70	Opposite	200	190	15:1	9.9	33.7	22.48
7CA60	23L377	23L417	4.70	Opposite	167	158	18:1	11.9	33.7	22.48
7CA61	23L377	23L418	4.70	Opposite	120	114	25:1	16.5	67.4	22.48
7CA62	23L377	23L419	4.70	Opposite	100	95.0	30:1	19.8	67.4	22.48
7CA63	23L377	23L420	4.70	Opposite	83.3	79.2	36:1	23.8	67.4	22.48
7CA64	23L377	23L421	4.70	Opposite	60.0	57.0	50:1	33.0	67.4	22.48
7CA65	23L377	23L422	4.70	Opposite	50.0	47.5	60:1	39.6	67.4	22.48
7CA66	23L377	23L423	4.70	Opposite	40.0	38.0	75:1	49.5	67.4	22.48
7CA67	23L377	23L424	4.70	Opposite	33.3	31.7	90:1	59.4	67.4	22.48
7CA68	23L377	23L425	4.70	Opposite	30.0	28.5	100:1	66.0	67.4	22.48
7CA69	23L377	23L426	4.70	Opposite	25.0	23.8	120:1	70.8	67.4	22.48
7CA70	23L377	23L427	4.70	Opposite	20.0	19.0	150:1	70.8	67.4	22.48
7CA71	23L377	23L428	4.70	Opposite	16.7	15.8	180:1	70.8	67.4	22.48

## SPECIFICATIONS

**MODEL:**  
7CA52-A71



DAYTON ELECTRIC MANUFACTURING CO.  
100 GRAINGER PARKWAY  
LAKE FOREST, IL 60045 USA