



DC MOTOR



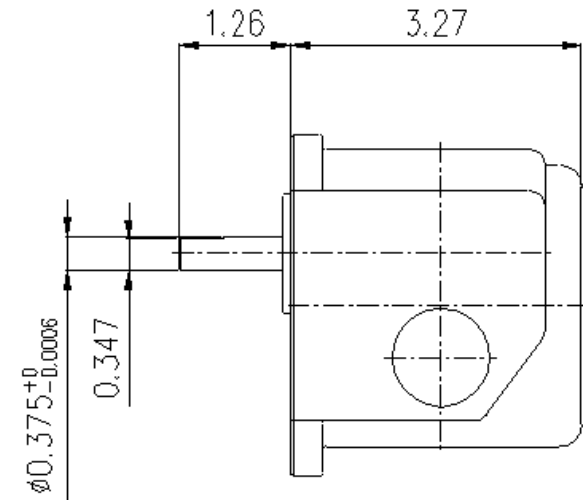
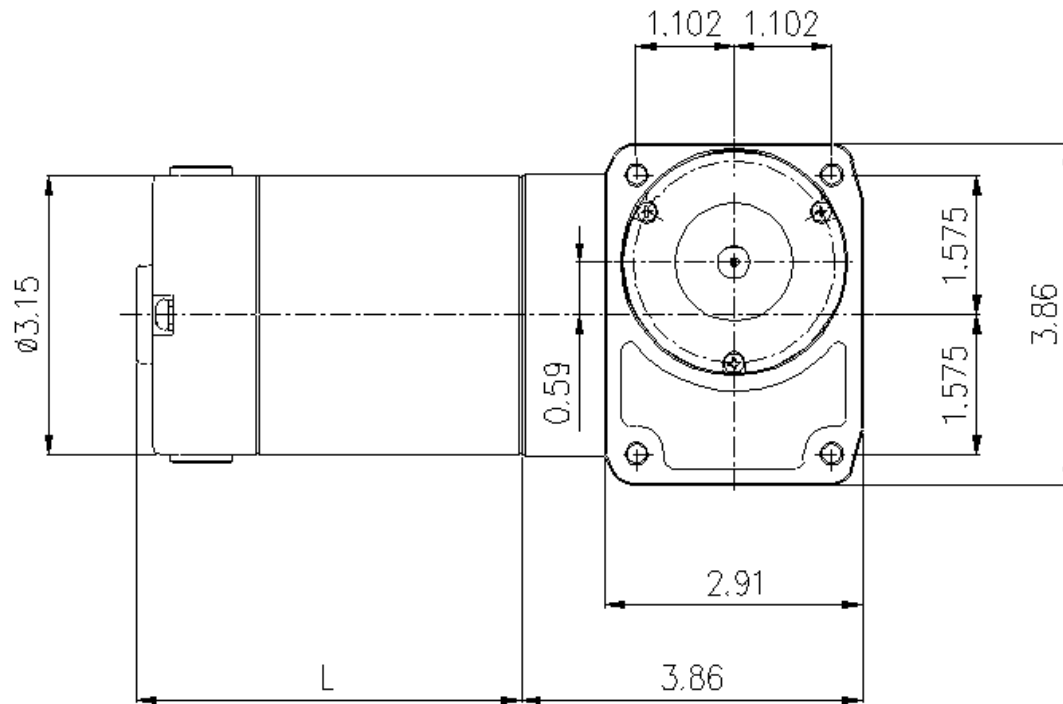
RIGHT ANGLE GEARBOX

## ASSEMBLY INFO

MODEL:  
7CA72-A91

**Dayton**®

DAYTON ELECTRIC MANUFACTURING CO.  
100 GRAINGER PARKWAY  
LAKE FOREST, IL 60045 USA

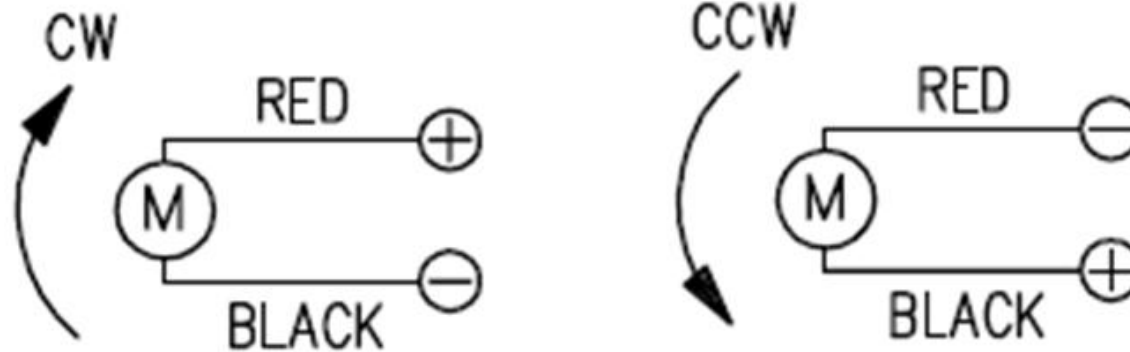


**OUTLINE DRAWING**

**MODEL:**  
7CA72-A91




**DAYTON ELECTRIC MANUFACTURING  
CO.**  
100 GRAINGER PARKWAY  
LAKE FOREST, IL 60045 USA



NOTES:

1. THIS MOTOR HAS A 1.0 FORM FACTOR (FF) RATING, SO THE MOTOR SUPPLY MUST HAVE THE SAME RATING.
2. USING A MOTOR SUPPLY WHICH HAS A HIGHER FF RATING WILL OVERHEAT THE MOTOR.
3. DO NOT USE SCR, 1.3 FF MOTOR SPEED CONTROL WITH THIS MOTOR.

HP: 1/30	Watt: 25	Speed: 3000 RPM	Volt: 90 DC	FLA: 0.5	FF: 1.0	Capacitor Value: None
<b>WIRE DIAGRAM</b>			MODEL: 7CA72-A91	 <b>DAYTON ELECTRIC MANUFACTURING CO.</b> 100 GRAINGER PARKWAY LAKE FOREST, IL 60045 USA		
Revision Date: 11-21-2012						Page 3 of 4

7-Combo No.	Motor SKU	Gearbox SKU	"L" Dimension (IN)	Shaft Rotation with Respect to Motor Shaft	No Load Speed (RPM)	Estimated Full Load Speed (RPM)	Gear Box Ratio	Max. Torque (IN-LB)	Max. Over Hung Load (LB)	Max. Thrust Load (LB)
7CA72	23L378	23L409	4.70	Opposite	1067	1000	3:1	2.4	33.7	22.48
7CA73	23L378	23L410	4.70	Opposite	889	833	3.6:1	2.9	33.7	22.48
7CA74	23L378	23L411	4.70	Opposite	640	600	5:1	4.0	33.7	22.48
7CA75	23L378	23L412	4.70	Opposite	533	500	6:1	4.8	33.7	22.48
7CA76	23L378	23L413	4.70	Opposite	427	400	7.5:1	5.9	33.7	22.48
7CA77	23L378	23L414	4.70	Opposite	356	333	9:1	7.1	33.7	22.48
7CA78	23L378	23L415	4.70	Opposite	256	240	12.5:1	8.3	33.7	22.48
7CA79	23L378	23L416	4.70	Opposite	213	200	15:1	9.9	33.7	22.48
7CA80	23L378	23L417	4.70	Opposite	178	167	18:1	11.9	33.7	22.48
7CA81	23L378	23L418	4.70	Opposite	128	120	25:1	16.5	67.4	22.48
7CA82	23L378	23L419	4.70	Opposite	107	100	30:1	19.8	67.4	22.48
7CA83	23L378	23L420	4.70	Opposite	88.9	83.3	36:1	23.8	67.4	22.48
7CA84	23L378	23L421	4.70	Opposite	64.0	60.0	50:1	33.0	67.4	22.48
7CA85	23L378	23L422	4.70	Opposite	53.3	50.0	60:1	39.6	67.4	22.48
7CA86	23L378	23L423	4.70	Opposite	42.7	40.0	75:1	49.5	67.4	22.48
7CA87	23L378	23L424	4.70	Opposite	35.6	33.3	90:1	59.4	67.4	22.48
7CA88	23L378	23L425	4.70	Opposite	32.0	30.0	100:1	66.0	67.4	22.48
7CA89	23L378	23L426	4.70	Opposite	26.7	25.0	120:1	70.8	67.4	22.48
7CA90	23L378	23L427	4.70	Opposite	21.3	20.0	150:1	70.8	67.4	22.48
7CA91	23L378	23L428	4.70	Opposite	17.8	16.7	180:1	70.8	67.4	22.48

## SPECIFICATIONS

**MODEL:**  
7CA72-A91



DAYTON ELECTRIC MANUFACTURING CO.  
100 GRAINGER PARKWAY  
LAKE FOREST, IL 60045 USA