



DC MOTOR



GEARBOX MULTIPLIER



PARALLEL GEARBOX

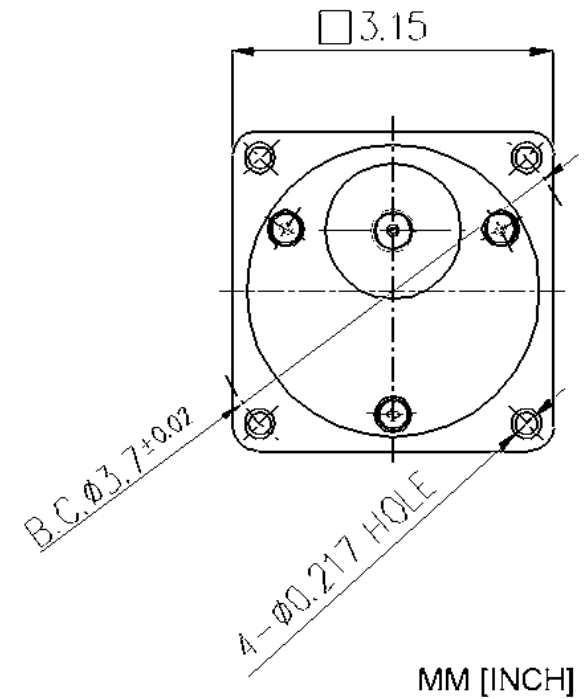
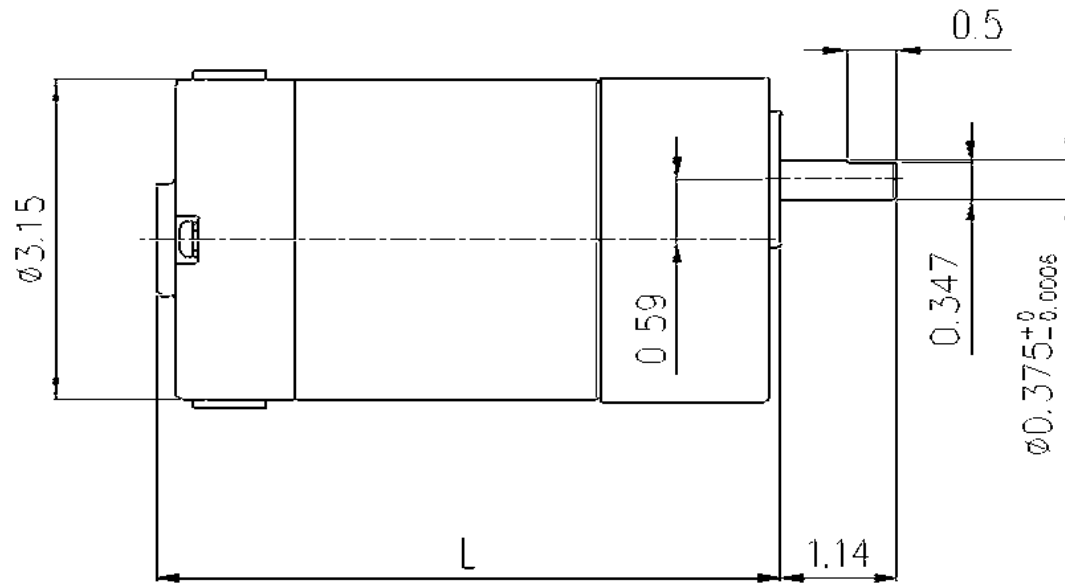
## ASSEMBLY INFO

### MODEL:

7C338-339,345-347,355,389-392,  
394-397,404-405,410,430-431,436,  
441-444,446,448-449,455,459-461



DAYTON ELECTRIC MANUFACTURING CO.  
100 GRAINGER PARKWAY  
LAKE FOREST, IL 60045 USA



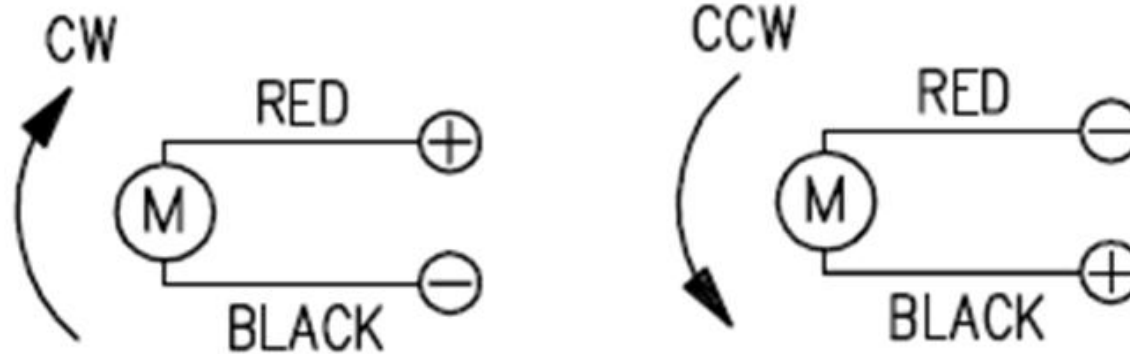
## OUTLINE DRAWING

### MODEL:

7C338-339,345-347,355,389-392,  
394-397,404-405,410,430-431,436,  
441-444,446,448-449,455,459-461




DAYTON ELECTRIC MANUFACTURING  
CO.  
100 GRAINGER PARKWAY  
LAKE FOREST, IL 60045 USA



NOTE:

1. THIS MOTOR HAS A 1.0 FORM FACTOR (FF) RATING, SO THE MOTOR SUPPLY MUST HAVE THE SAME RATING.
2. USING A MOTOR SUPPLY WHICH HAS A HIGHER FF RATING WILL OVERHEAT THE MOTOR.

HP: 1/30	Watt: 25	Speed: 3100 RPM	Volt: 12 DC	FLA: 3.8	FF: 1.0	Capacitor Value: None
<b>WIRE DIAGRAM</b>			<b>MODEL:</b> 7C338-339,345-347,355,389-392, 394-397,404-405,410,430-431,436, 441-444,446,448-449,455,459-461			DAYTON ELECTRIC MANUFACTURING CO. 100 GRAINGER PARKWAY LAKE FOREST, IL 60045 USA
			Revision Date: 11-21-2012 <span style="float: right;">Page 3 of 4</span>			

7-Combo No.	Motor SKU	Gearbox SKU	Multiplier SKU	Length Less Shaft "L" Dimension (IN)	Shaft Rotation with Respect to Motor Shaft	No Load Speed (RPM)	Estimated Full Load Speed (RPM)	Gear Box Ratio	Max. Torque (IN-LB)	Max. Over Hung Load (LB)	Max. Thrust Load (LB)
7C338	23L376	23L515	None	6.08	Same	1067	1033	3:1	1.66	26.46	11.0
7C339	23L376	23L516	None	6.08	Same	889	861	3.6:1	1.99	26.46	11.0
7C345	23L376	23L517	None	6.08	Same	640	620	5:1	2.76	26.46	11.0
7C346	23L376	23L518	None	6.08	Same	533	516	6:1	3.31	26.46	11.0
7C347	23L376	23L519	None	6.08	Same	427	413	7.5:1	4.14	26.46	11.0
7C355	23L376	23L520	None	6.08	Same	356	340	9:1	4.97	26.46	11.0
7C389	23L376	23L521	None	6.08	Same	320	310	10:1	5.52	26.46	11.0
7C390	23L376	23L522	None	6.08	Same	256	248	12.5:1	6.90	26.46	11.0
7C391	23L376	23L523	None	6.08	Same	213	206	15:1	8.28	26.46	11.0
7C392	23L376	23L524	None	6.08	Same	178	172	18:1	9.93	26.46	11.0
7C394	23L376	23L525	None	6.49	Opposite	160	155	20:1	9.95	52.91	11.0
7C395	23L376	23L526	None	6.49	Opposite	128	124	25:1	12.4	52.91	11.0
7C396	23L376	23L527	None	6.49	Opposite	107	103	30:1	14.9	52.91	11.0
7C397	23L376	23L528	None	6.49	Opposite	88.9	86	36:1	17.9	52.91	11.0
7C404	23L376	23L529	None	6.49	Opposite	80.0	77.5	40:1	19.9	52.91	11.0
7C405	23L376	23L530	None	6.49	Same	64.0	62	50:1	22.5	52.91	11.0
7C410	23L376	23L531	None	6.49	Same	53.3	51.6	60:1	27.0	52.91	11.0
7C430	23L376	23L532	None	6.49	Same	42.7	41.3	75:1	33.7	52.91	11.0
7C431	23L376	23L533	None	6.49	Same	35.6	34.4	90:1	40.5	52.91	11.0
7C436	23L376	23L534	None	6.49	Same	32.0	31	100:1	45.0	52.91	11.0
7C441	23L376	23L535	None	6.49	Same	26.7	25.8	120:1	54.0	52.91	11.0
7C442	23L376	23L536	None	6.49	Same	21.3	20.6	150:1	67.5	52.91	11.0
7C443	23L376	23L537	None	6.49	Same	17.8	17.3	180:1	69.4	52.91	11.0
7C444	23L376	23L538	None	6.49	Same	16.0	15.6	200:1	69.4	52.91	11.0
7C446	23L376	23L528	23L539	7.75	Same	8.89	8.7	360:1	69.4	52.91	11.0
7C448	23L376	23L531	23L539	7.75	Same	5.33	5.2	600:1	69.4	52.91	11.0
7C449	23L376	23L532	23L539	7.75	Same	4.27	4.2	750:1	69.4	52.91	11.0
7C455	23L376	23L533	23L539	7.75	Same	3.56	3.53	900:1	69.4	52.91	11.0
7C459	23L376	23L535	23L539	7.75	Same	2.67	2.65	1200:1	69.4	52.91	11.0
7C460	23L376	23L536	23L539	7.75	Same	2.13	2.12	1500:1	69.4	52.91	11.0
7C461	23L376	23L537	23L539	7.75	Same	1.78	1.77	1800:1	69.4	52.91	11.0

## SPECIFICATIONS

### MODEL:

7C338-339,345-347,355,389-392,  
394-397,404-405,410,430-431,436,  
441-444,446,448-449,455,459-461



DAYTON ELECTRIC MANUFACTURING CO.  
100 GRAINGER PARKWAY  
LAKE FOREST, IL 60045 USA