



DC MOTOR



GEARBOX MULTIPLIER



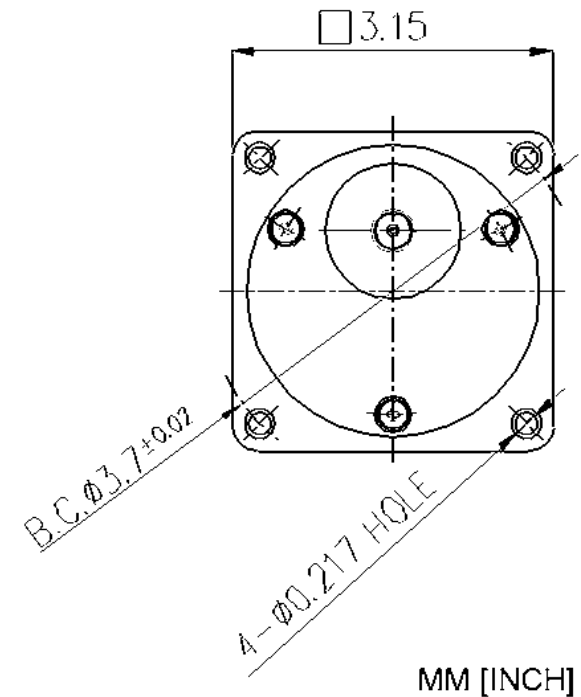
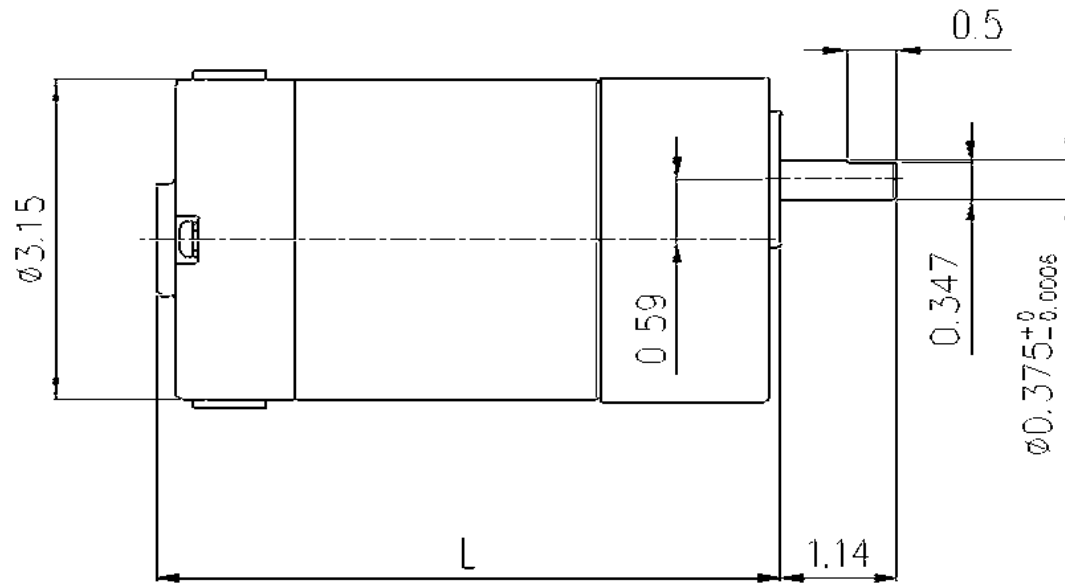
PARALLEL GEARBOX

**ASSEMBLY INFO**

**MODEL:**  
7C485,499-503,513-517,536-551,  
563-565,569



DAYTON ELECTRIC MANUFACTURING CO.  
100 GRAINGER PARKWAY  
LAKE FOREST, IL 60045 USA

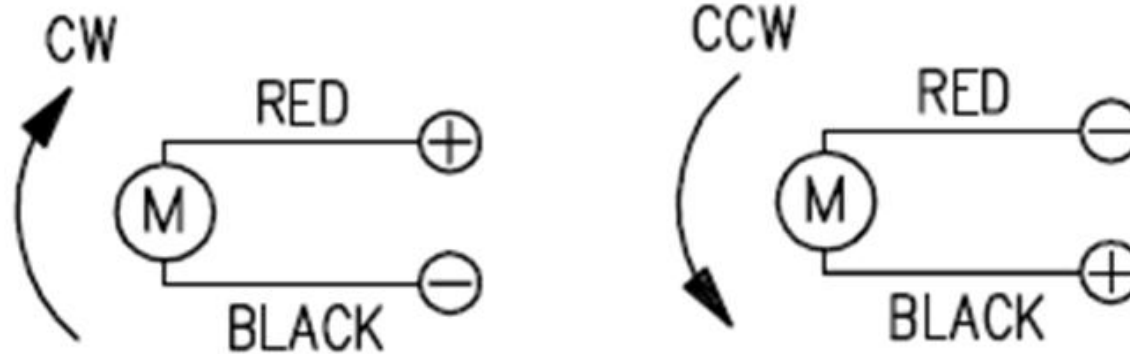


**OUTLINE DRAWING**

**MODEL:**  
7C485,499-503,513-517,536-551,  
563-565,569




**DAYTON ELECTRIC MANUFACTURING  
CO.**  
100 GRAINGER PARKWAY  
LAKE FOREST, IL 60045 USA



NOTE:

1. THIS MOTOR HAS A 1.0 FORM FACTOR (FF) RATING, SO THE MOTOR SUPPLY MUST HAVE THE SAME RATING.
2. USING A MOTOR SUPPLY WHICH HAS A HIGHER FF RATING WILL OVERHEAT THE MOTOR.

HP: 1/30	Watt: 25	Speed: 2850 RPM	Volt: 24 DC	FLA: 1.7	FF: 1.0	Capacitor Value: None
<b>WIRE DIAGRAM</b>			<b>MODEL:</b> 7C485,499-503,513-517,536-551, 563-565,569			DAYTON ELECTRIC MANUFACTURING CO. 100 GRAINGER PARKWAY LAKE FOREST, IL 60045 USA
			Revision Date: 11-21-2012			

7-Combo No.	Motor SKU	Gearbox SKU	Multiplier SKU	Length Less Shaft "L" Dimension (IN)	Shaft Rotation with Respect to Motor Shaft	No Load Speed (RPM)	Estimated Full Load Speed (RPM)	Gear Box Ratio	Max. Torque (IN-LB)	Max. Over Hung Load (LB)	Max. Thrust Load (LB)
7C485	23L377	23L515	None	6.08	Same	1000	950	3:1	1.80	26.46	11.0
7C499	23L377	23L516	None	6.08	Same	833	791	3.6:1	2.16	26.46	11.0
7C500	23L377	23L517	None	6.08	Same	600	570	5:1	3.00	26.46	11.0
7C501	23L377	23L518	None	6.08	Same	500	475	6:1	3.60	26.46	11.0
7C502	23L377	23L519	None	6.08	Same	400	380	7.5:1	4.50	26.46	11.0
7C503	23L377	23L520	None	6.08	Same	333	316	9:1	5.40	26.46	11.0
7C513	23L377	23L521	None	6.08	Same	300	285	10:1	6.00	26.46	11.0
7C514	23L377	23L522	None	6.08	Same	240	228	12.5:1	7.50	26.46	11.0
7C515	23L377	23L523	None	6.08	Same	200	190	15:1	9.00	26.46	11.0
7C516	23L377	23L524	None	6.08	Same	167	158	18:1	10.8	26.46	11.0
7C517	23L377	23L525	None	6.49	Opposite	150	142	20:1	10.8	52.91	11.0
7C536	23L377	23L526	None	6.49	Opposite	120	114	25:1	13.5	52.91	11.0
7C537	23L377	23L527	None	6.49	Opposite	100	95	30:1	16.2	52.91	11.0
7C538	23L377	23L528	None	6.49	Opposite	83.3	79.1	36:1	19.5	52.91	11.0
7C539	23L377	23L529	None	6.49	Opposite	75.0	71.2	40:1	21.6	52.91	11.0
7C540	23L377	23L530	None	6.49	Same	60.0	57	50:1	24.5	52.91	11.0
7C541	23L377	23L531	None	6.49	Same	50.0	47.5	60:1	29.3	52.91	11.0
7C542	23L377	23L532	None	6.49	Same	40.0	38	75:1	36.7	52.91	11.0
7C543	23L377	23L533	None	6.49	Same	33.3	31.6	90:1	44.0	52.91	11.0
7C544	23L377	23L534	None	6.49	Same	30.0	28.5	100:1	48.9	52.91	11.0
7C545	23L377	23L535	None	6.49	Same	25.0	23.7	120:1	58.7	52.91	11.0
7C546	23L377	23L536	None	6.49	Same	20.0	19.0	150:1	69.4	52.91	11.0
7C547	23L377	23L537	None	6.49	Same	16.7	16.0	180:1	69.4	52.91	11.0
7C548	23L377	23L538	None	6.49	Same	15.0	14.48	200:1	69.4	52.91	11.0
7C549	23L377	23L528	23L539	7.75	Same	8.33	8.15	360:1	69.4	52.91	11.0
7C550	23L377	23L531	23L539	7.75	Same	5.00	4.93	600:1	69.4	52.91	11.0
7C551	23L377	23L532	23L539	7.75	Same	4.00	3.95	750:1	69.4	52.91	11.0
7C563	23L377	23L533	23L539	7.75	Same	3.33	3.3	900:1	69.4	52.91	11.0
7C564	23L377	23L535	23L539	7.75	Same	2.50	2.48	1200:1	69.4	52.91	11.0
7C565	23L377	23L536	23L539	7.75	Same	2.00	1.99	1500:1	69.4	52.91	11.0
7C569	23L377	23L537	23L539	7.75	Same	1.67	1.66	1800:1	69.4	52.91	11.0

## SPECIFICATIONS

**MODEL:**  
7C485,499-503,513-517,536-551,  
563-565,569



**DAYTON ELECTRIC MANUFACTURING CO.**  
100 GRAINGER PARKWAY  
LAKE FOREST, IL 60045 USA