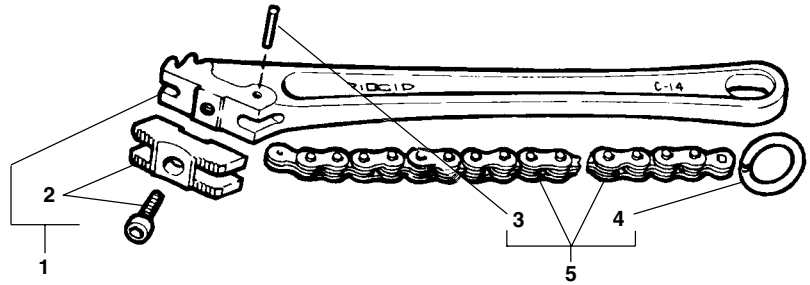
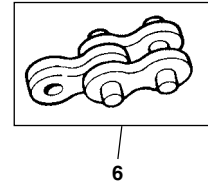


### Heavy-Duty Chain Wrench

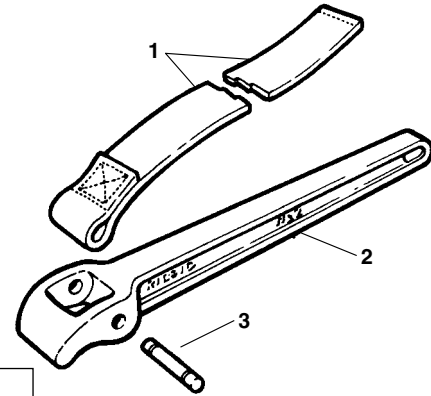


**NOTE: Order parts by Catalog Number only. DO NOT order by Reference Number.**

		C14 Max. 2"	C18 Max. 2 1/2"	C24 Max. 3"	C36 Max. 4 1/2"
<b>Ref. No.</b>	<b>Description</b>	<b>Catalog No.</b>	<b>Catalog No.</b>	<b>Catalog No.</b>	<b>Catalog No.</b>
1	Handle Assembly	32540	32565	32585	32595
2	Jaw with Screw	32550	32575	32590	32600
3	Pin	32560	32580	32580	32610
4	Ring	32555	32555	32555	32555
5	Chain Assembly	32545	32570	32570	32605
6	Link	68620	68625	68625	68630

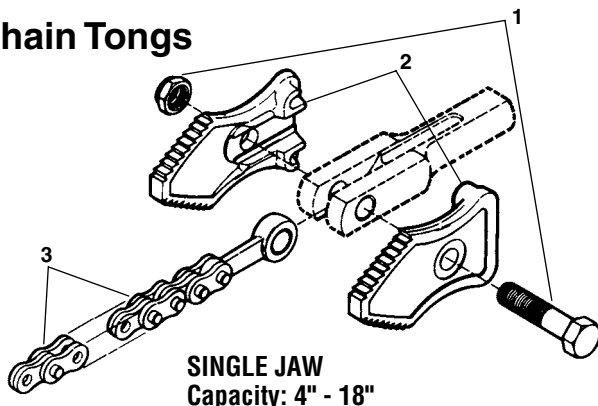


### Strap Wrench

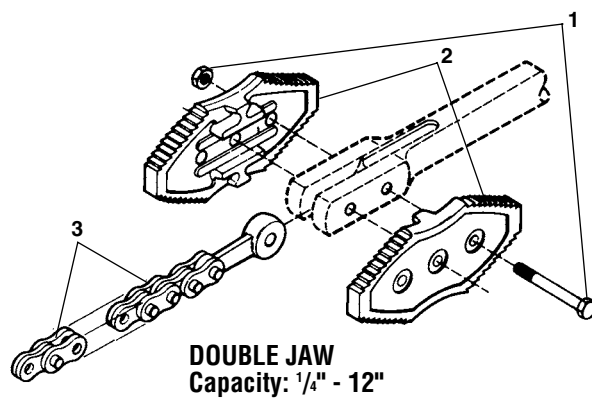


	1 1/8"-2"	2 1/8"-2"	2P 1/8"-2"	5 1"-5"	5P 1"-5"
<b>Ref. No.</b>	<b>Catalog No.</b>	<b>Catalog No.</b>	<b>Catalog No.</b>	<b>Catalog No.</b>	<b>Catalog No.</b>
1	17" Strap 24" Strap 30" Strap 48" Strap	31990 — — —	32015 32020 32025 —	32035 — — —	— — 32050 32055
2	Handle	32005	32040	32040	32075
3	Pin	32010	32045	32045	32080

### Chain Tongs



Ref. No.	Description	3215
1	Nut & Bolt	93020
2	Jaws	93015
3	Chain	93010



Ref. No.	Description	3229	3231	3233	3235	3237
1	Nut & Bolt	93035	93050	93050	93080	93095
2	Jaws	93030	93045	93060	93075	93090
3	Chain	93025	93040	93055	93070	93085