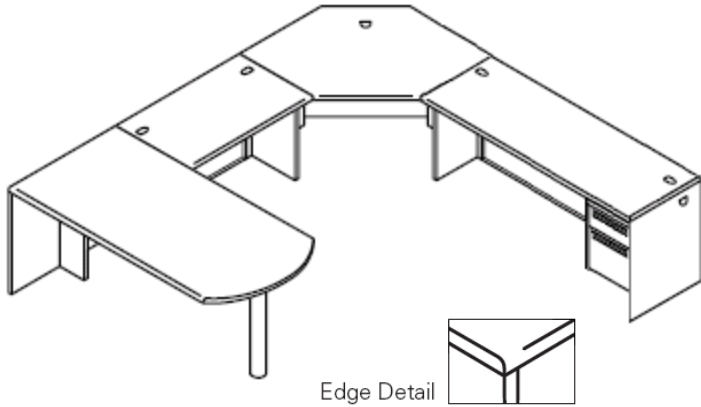




# 38000 Series Steel Desks Technical Specifications



## KEY DIMENSIONS

### RECTANGULAR COMPONENTS

(Desks, Credenzas, Returns, Bridges)

- **Height:** 29-1/2" with levelers fully retracted
- **Width:** 36", 42", 48", 60", 66" or 72"
- **Depth:** 24", 30" or 36"

### PENINSULAS

- **Height:** 29-1/2" with levelers fully retracted
- **Width:** 58", 66" or 70"
- **Depth:** 24", 30" or 36"

**Construction:** 1-3/16" thick worksurfaces are constructed of 1-1/8" thick high-density particleboard with a high pressure laminate top surface and a resin impregnated paper backer on the bottom surface. All edges have PVC edgeband treatment applied, leaving no unfinished surfaces. Desks, peninsula and corner worksurfaces feature a 5/8" radius on front and back edges. Returns and bridges have radius on front edges only to allow a consistent rear edge when attached to a desk.

**Pedestal Assembly:** Construction is a one piece side-bottom-side body over two internal 'O'-frames, welded for rigidity. Welded 'O'-frame construction consists of vertical channels, a top and bottom plate.

**End Panels:** 1" thick end panels are constructed of inside and outside panels over a honeycomb composite medium (42 lb backer, 33 lb inner medium, 42 lb backer). Panels and honeycomb are secured with a synthetic resin adhesive, providing high strength and sound deadening qualities. Two leveling glides with a 3/8"-16 thread are included in each end panel, which provide 1" of adjustment. The mounting clip securing the end panel to the pedestal and/or modesty panel is a steel bracket.

**Drawers:** are constructed of a one piece side-bottom-side drawer body. Mitered drawer front and drawer back are steel, and both are mechanically fastened to drawer body. Drawer interior is gray in color. File drawer feature high sides, which accept hanging file folders without the need for hangrails. Recessed drawer pull is a core color- matched ABS plastic snap-in pull.

**Drawer Function:** File drawers operate on three-part telescoping ball bearing slides with full drawer extension. Box drawers operate on two-part ball bearing slides with 3/4 extension.

**Modesty Panel:** is constructed of steel, and includes a magnetic sound deadening material. Returns and bridges feature a full height modesty panel, while desks and credenzas provide 9-1/4" clearance below the modesty panel for easy access to wall outlets. A conversion kit is available to create a full height modesty panel on desks and credenzas. The corner unit includes four end panels and a modesty panel in the rear corner, with 3" clearance below it to the floor.

**Finish:** Steel parts are finished with a baked enamel over a rust-inhibiting phosphate pre-treatment.

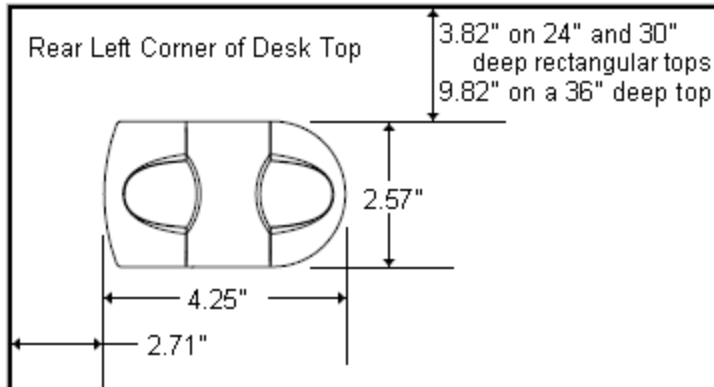
**Locking:** On desks with pedestals, the included core removable lock is located on the kneespace side of the pedestal. Double pedestal desks include two individual locks which are keyed alike. The lockrod is constructed of .188" diameter steel rod. HON "One Key" interchangeable cores may be ordered separately to key units alike.

## QUICK REFERENCE TABLE

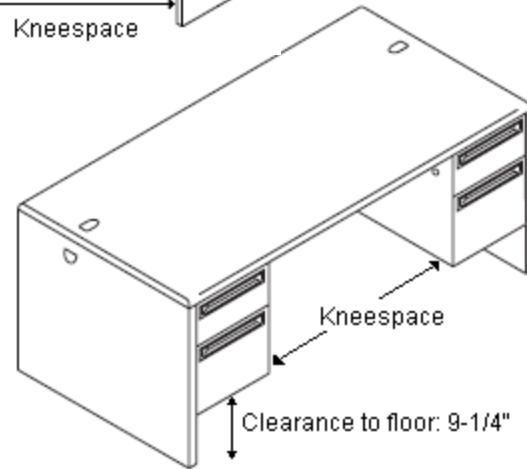
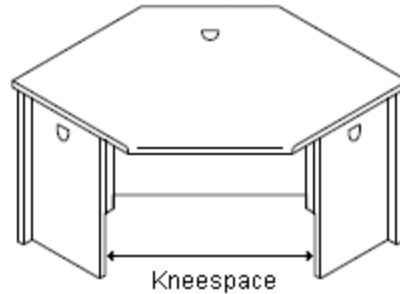
Item	Inside Drawer Dimensions	Load Capacity
Desks - 30" and 36" deep		
Box Draw er	11-5/16" W x 19-3/16" D x 4-7/8" H	18 lbs
File Draw er	12" W x 27-1/16" D x 10-1/2" H	58 lbs
Returns and Credenzas - 24" deep		
Box Draw er	11-5/16" W x 15-3/16" D x 4-7/8" H	14 lbs
File Draw er	12" W x 20-1/4" D x 10-1/2" H	43 lbs

The HON Company  
200 Oak Street  
Muscatine, IA 52761  
800-833-3964  
hon.com

### GROMMET INSERT LOCATION DETAIL



Corner units utilize 14" deep end panels on the left and right front locations, inset to allow additional kneespace.



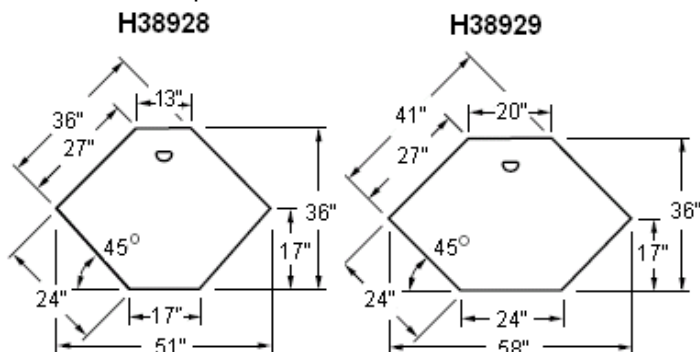
**Wire Management:** Grommets are constructed of plastic, color-matched to core paint colors. There are two grommets in each rectangular work surface, and one grommet in each corner unit work surface. One grommet is standard in each end panel, and there is a grommet entering into the kneespace area when it is a unit with a ¾ height pedestal. Pedestals include a plastic wire tray to route wiring from the exterior grommet to the interior kneespace grommet.

**Sizes:** The broad selection of components offers the option of "U" and "L" workstation configurations. Modular models provide flexibility and storage versatility that can be integrated with ¾ pedestal models.

**Hardware:** Returns, bridges and peninsulas include all hardware required to attach to other units without additional support models needed. Peninsulas include support column.

Corner units may be used as a freestanding unit, but are designed to attach 24" deep returns, bridges or peninsulas to one or both sides.

### Corner Unit Top Dimensions:



Inside depth is 28-3/4" deep for 30" and 36" deep desks and 22-3/4" deep for 24" deep desks/credenzas and returns.

Refer to reference table below for kneespace between pedestals and/or end panels on desks and credenzas:

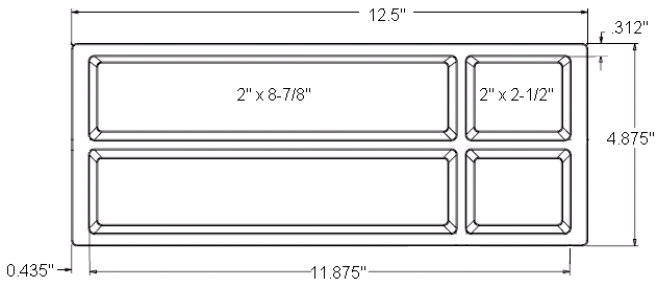
### QUICK REFERENCE TABLE

Item	Kneespace Width
H38155, H38852 60" w ide unit	27-3/4" Wide
H38170, H38851 66" w ide unit	33-3/4" Wide
H38180, H38854 72" w ide unit	39-3/4" Wide
H38251, H38252L 48" w ide unit	30-3/4" Wide
H38291R/92L, H38857L/58R 66" w ide unit	48-3/4" Wide
H38293R/94L, H38855L/56R 72" w ide unit	54-3/4" Wide
H38921, H38931 48" w ide unit	45-1/2" Wide
H38922, H38932 60" w ide unit	57-1/2" Wide
H38923, H38933 66" w ide unit	63-1/2" Wide
H38925, H38934, H38935 72" w ide unit	69-1/2" Wide
H38928 Corner Unit	26-1/2" Wide
H38929 Corner Unit	33" Wide

The HON Company  
200 Oak Street  
Muscatine, IA 52761  
800-833-3964  
hon.com



# 38000 Series Steel Desks Technical Specifications



**Pencil Tray:** One pencil tray is provided in each 3/4 pedestal desk and credenza. It is constructed of high impact polystyrene, black in color. Tray measures 12-1/2" wide with a 7/16" edge and features two 2" x 2-1/2" and two 2" x 8-7/8" compartments.

**Follower Block:** One follower is included in each file drawer. The follower is positive locking with a spring loaded release latch, adjustable in 5/8" increments. Block is constructed of pre-painted steel, interior gray in color.

**Divider:** One adjustable snap-in divider is included in each box drawer. Divider is constructed of plastic, gray in color.

**Shipping Information:** Units with pedestals ship fully assembled in a full corrugated carton with inner pack for protection. Modular units ship in a flat pack with inner pack and require assembly at installation.

**Compliance:** Meets or exceeds applicable ANSI/BIFMA and ISTA Performance Standards.

Models:	
H38180	H38858R
H38170	H38934
H38155	H38935
H38293R	H38933
H38294L	H38932
H38291R	H38931
H38292L	H38925
H38251	H38923
H38252L	H38922
H38217R	H38921
H38218L	H38947R
H38215R	H38948L
H38216L	H38945R
H38853	H38946L
H38854	H38943R
H38851	H38944L
H38852	H38949R
H38855L	H38950L
H38856R	
H38857L	

Certified SCS Indoor Advantage™

Conforms to the BIFMA e3 Furniture Sustainability Standard level 2.

The HON Company  
200 Oak Street  
Muscatine, IA 52761  
800-833-3964  
hon.com

© 2011 The HON Company  
H4010 (01/11)  
HON is a registered trademark  
of HNI Technologies, under  
license to The HON Company.