

COMMERCIAL SURFACE MOUNTED LOW PROFILE HAND DRYER - 3BU95

TECHNICAL data sheet

COMMERCIAL SURFACE MOUNTED LOW PROFILE HAND DRYER - 3BU95

Surface-mounted economical hand dryers. Ultra compact design protrudes only 4" from wall for ADA compliance and fits smaller size washrooms. Low sound level. 3BU95 is universal voltage units that fit most electric supplies and affordable washroom solutions for light traffic facilities.



3BU95



PRODUCT FEATURES AND BENEFITS

- Surface-mounted ADA compliant that allows easy installation
- Universal voltage – accepts 110-120 / 208 / 220-240 VAC input
- Automatic operation promotes good hygiene
- Ultra compact design fits smaller size washrooms
- Competitive pricing and great value
- Low sound level

DESIGN FEATURES

DRYER

- Activated by infrared sensor, automatic drying cycle.
- Incorporates Nichrome wire heating elements Protected with bi-metal thermostats and one shot thermal cutoffs
- Provides a 70°F temperature rise

MOTOR

- Thermally-protected, universal brush-type motor operating at 7,500 RPM
- Delivering up to 88 CFM air flow at a velocity of 6,800 LFM (77 MPH)

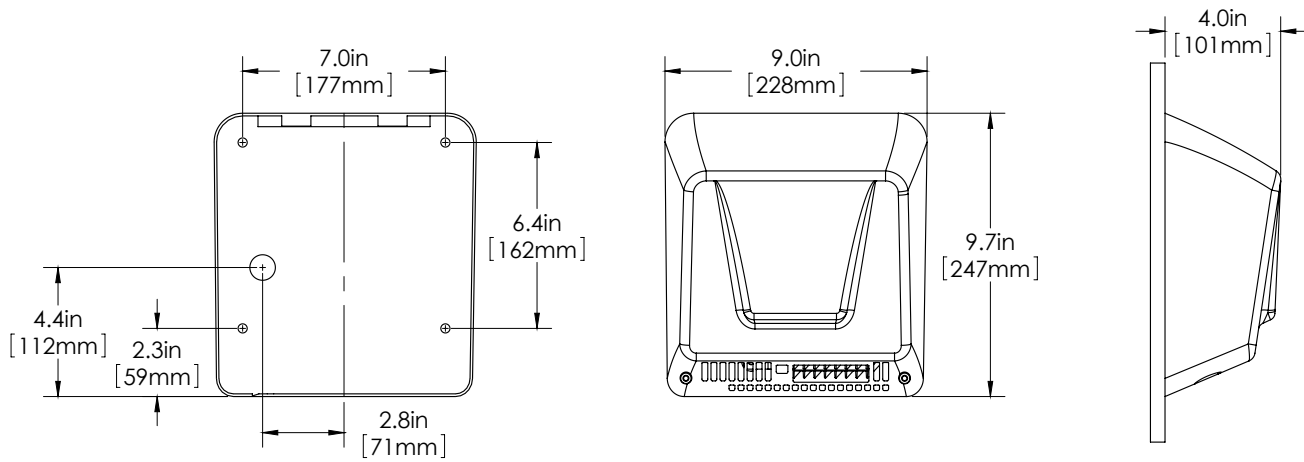
PRODUCT SPECIFICATIONS

	110-120 V	220-240 V
Amps	8	7
Watts	1000	1700
Hz	60 Hz	60 Hz

DRYER DIMENSIONS:

Unit Size (HxWxD) - 9.0" x 9.7" x 4"
Unit Weight - 6.5 lbs
Shipping Size (HxWxD) - 13" x 12" x 8"
Shipping Weight - 7.6 lbs

PRODUCT DIMENSION DRAWINGS



CERTIFICATION APPROVED



SKU NO.	NOZZLE TYPE	COVER MATERIAL	COVER FINISH	OPERATION	VOLTAGE	AMPS	DRY TIME
---------	-------------	----------------	--------------	-----------	---------	------	----------

DAYTON COMMERCIAL SURFACE MOUNTED LOW PROFILE HAND DRYER

3BU95	Integral	Aluminum	Epoxy Enamel	Automatic	120/208/230 V	10/6/5	30 sec.
--------------	----------	----------	--------------	-----------	---------------	--------	---------

Find it at Grainger.

Call or visit your local branch or go to grainger.com/dayton for complete product line information.

