



AC PSC MOTOR WITH  
CONDUIT BOX



GEARBOX MULTIPLIER



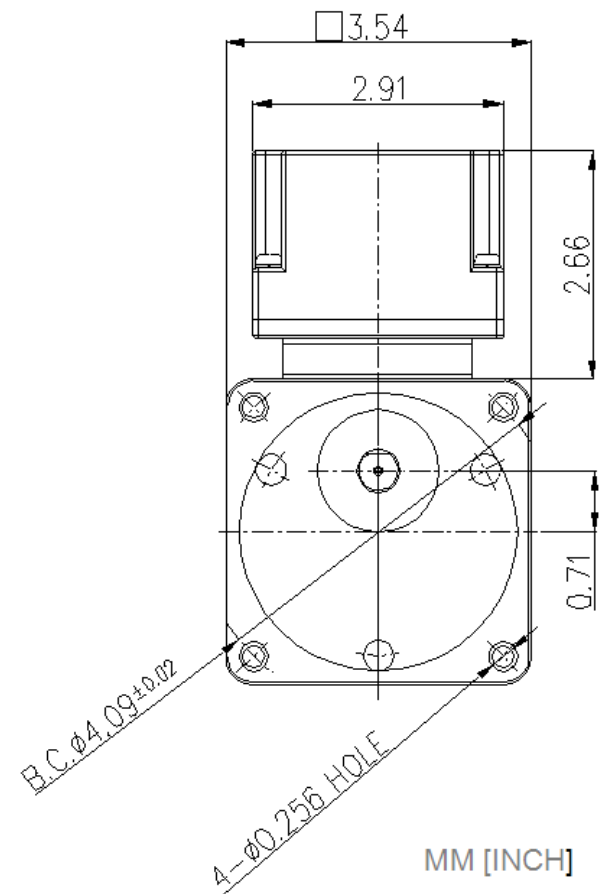
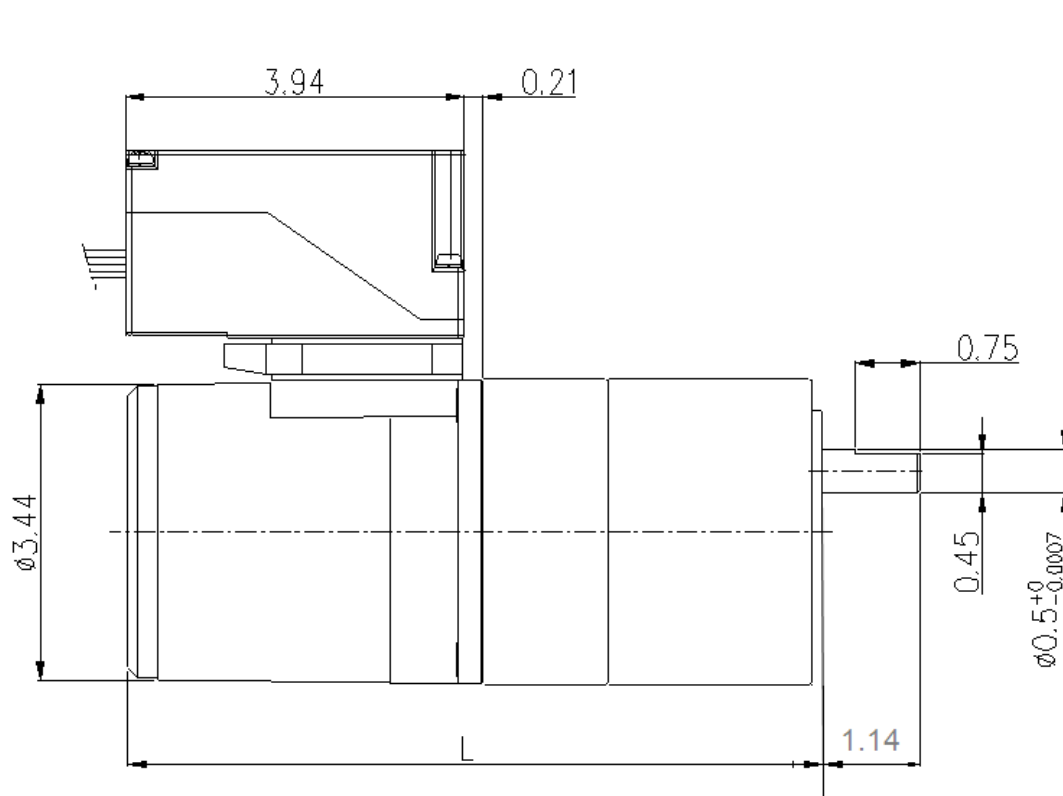
PARALLEL GEARBOX

## ASSEMBLY INFO

MODEL:  
7CD19-D49



DAYTON ELECTRIC MANUFACTURING CO.  
100 GRAINGER PARKWAY  
LAKE FOREST, IL 60045 USA



MM [INCH]

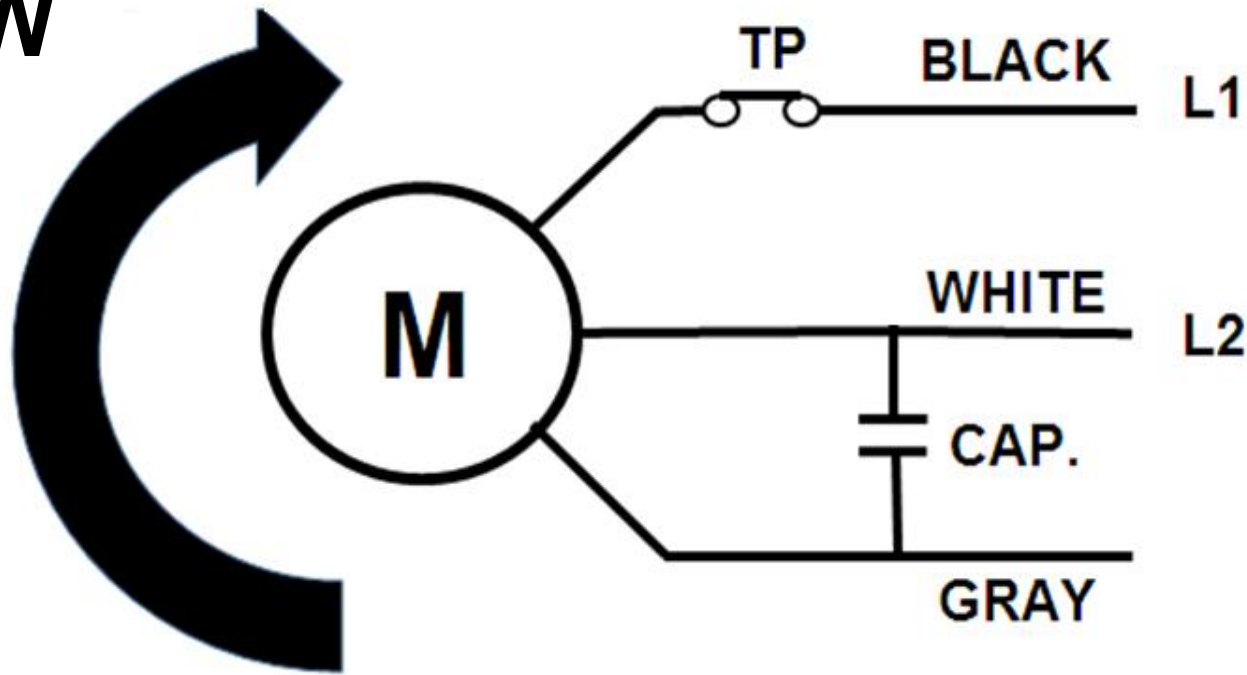
**OUTLINE DRAWING**

**MODEL:**  
7CD19-D49



**DAYTON ELECTRIC MANUFACTURING CO.**  
100 GRAINGER PARKWAY  
LAKE FOREST, IL 60045 USA

**CW**



CW ROTATION SHOWN AT THE SHAFT END.  
CONNECT L2 TO GRAY WIRE INSTEAD OF WHITE  
WIRE TO REVERSE MOTOR DIRECTION.

HP: 1/19    Watt: 40    Speed: 1600 RPM    Volt: 220 VAC / 1 Phase    FLA: 0.30    Freq: 60 Hz    Capacitor Value: 2.3 MFD / 450 VAC

**WIRE DIAGRAM**

MODEL:  
7CD19-D49



DAYTON ELECTRIC MANUFACTURING CO.  
100 GRAINGER PARKWAY  
LAKE FOREST, IL 60045 USA

7-Combo No.	Motor SKU	Gearbox SKU	Multiplier SKU	Length Less Shaft "L" Dimension (IN)	Shaft Rotation with Respect to Motor Shaft	No Load Speed (RPM)	Estimated Full Load Speed (RPM)	Gear Box Ratio	Max. Torque (IN-LB)	Max. Over Hung Load (LB)	Max. Thrust Load (LB)
7CD19	23L380	23L429	None	5.9	Same	600	533	3:1	5.13	66.14	22
7CD20	23L380	23L430	None	5.9	Same	500	444	3.6:1	6.16	66.14	22
7CD21	23L380	23L431	None	5.9	Same	360	320	5:1	8.55	66.14	22
7CD22	23L380	23L432	None	5.9	Same	300	267	6:1	10.3	66.14	22
7CD23	23L380	23L433	None	5.9	Same	240	213	7.5:1	12.8	66.14	22
7CD24	23L380	23L434	None	5.9	Same	200	178	9:1	15.4	66.14	22
7CD25	23L380	23L435	None	5.9	Same	180	160	10:1	17.1	66.14	22
7CD26	23L380	23L436	None	5.9	Same	144	128	12.5:1	21.4	66.14	22
7CD27	23L380	23L437	None	5.9	Same	120	107	15:1	25.7	66.14	22
7CD28	23L380	23L438	None	5.9	Same	100	88.9	18:1	30.8	66.14	22
7CD29	23L380	23L439	None	6.61	Opposite	90	80.0	20:1	30.8	81.57	22
7CD30	23L380	23L440	None	6.61	Opposite	72	64.0	25:1	38.5	81.57	22
7CD31	23L380	23L441	None	6.61	Opposite	60	53.3	30:1	46.3	81.57	22
7CD32	23L380	23L442	None	6.61	Opposite	50	44.4	36:1	55.5	81.57	22
7CD33	23L380	23L443	None	6.61	Opposite	45	40.0	40:1	61.7	81.57	22
7CD34	23L380	23L444	None	6.61	Same	36	32.0	50:1	69.7	81.57	22
7CD35	23L380	23L445	None	6.61	Same	30	26.7	60:1	83.6	81.57	22
7CD36	23L380	23L446	None	6.61	Same	24	22	75:1	86.8	81.57	22
7CD37	23L380	23L447	None	6.61	Same	20	18.7	90:1	86.8	81.57	22
7CD38	23L380	23L448	None	6.61	Same	18	17.1	100:1	86.8	81.57	22
7CD39	23L380	23L449	None	6.61	Same	15	14.4	120:1	86.8	81.57	22
7CD40	23L380	23L450	None	6.61	Same	12	11.6	150:1	86.8	81.57	22
7CD41	23L380	23L451	None	6.61	Same	10	9.7	180:1	86.8	81.57	22
7CD42	23L380	23L452	None	6.61	Same	9.0	8.8	200:1	86.8	81.57	22
7CD43	23L380	23L442	23L453	8.07	Same	5.0	4.9	360:1	86.8	81.57	22
7CD44	23L380	23L445	23L453	8.07	Same	3.0	2.9	600:1	86.8	81.57	22
7CD45	23L380	23L446	23L453	8.07	Same	2.4	2.4	750:1	86.8	81.57	22
7CD46	23L380	23L447	23L453	8.07	Same	2.0	2.0	900:1	86.8	81.57	22
7CD47	23L380	23L449	23L453	8.07	Same	1.5	1.4	1200:1	86.8	81.57	22
7CD48	23L380	23L450	23L453	8.07	Same	1.2	1.2	1500:1	86.8	81.57	22
7CD49	23L380	23L451	23L453	8.07	Same	1.0	1.0	1800:1	86.8	81.57	22

## SPECIFICATIONS

MODEL:  
7CD19-D49



DAYTON ELECTRIC MANUFACTURING CO.  
100 GRAINGER PARKWAY  
LAKE FOREST, IL 60045 USA