



AC PSC MOTOR WITH SPEED CONTROL



GEARBOX MULTIPLIER



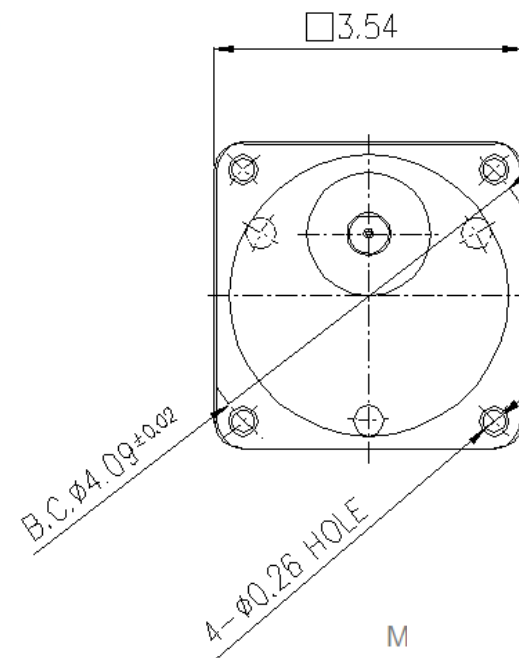
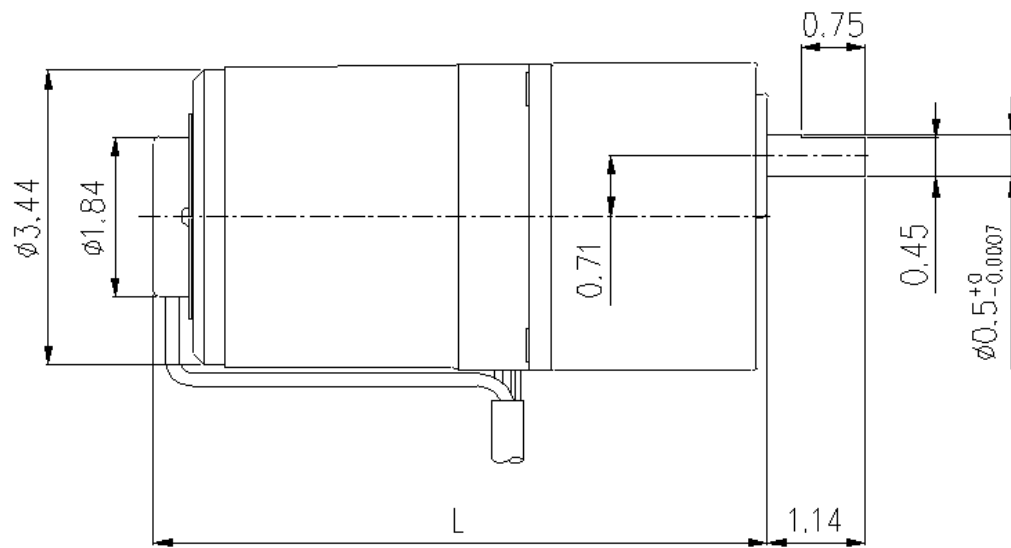
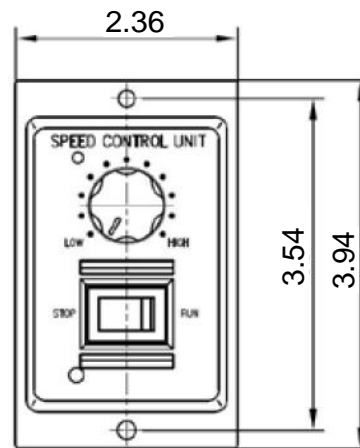
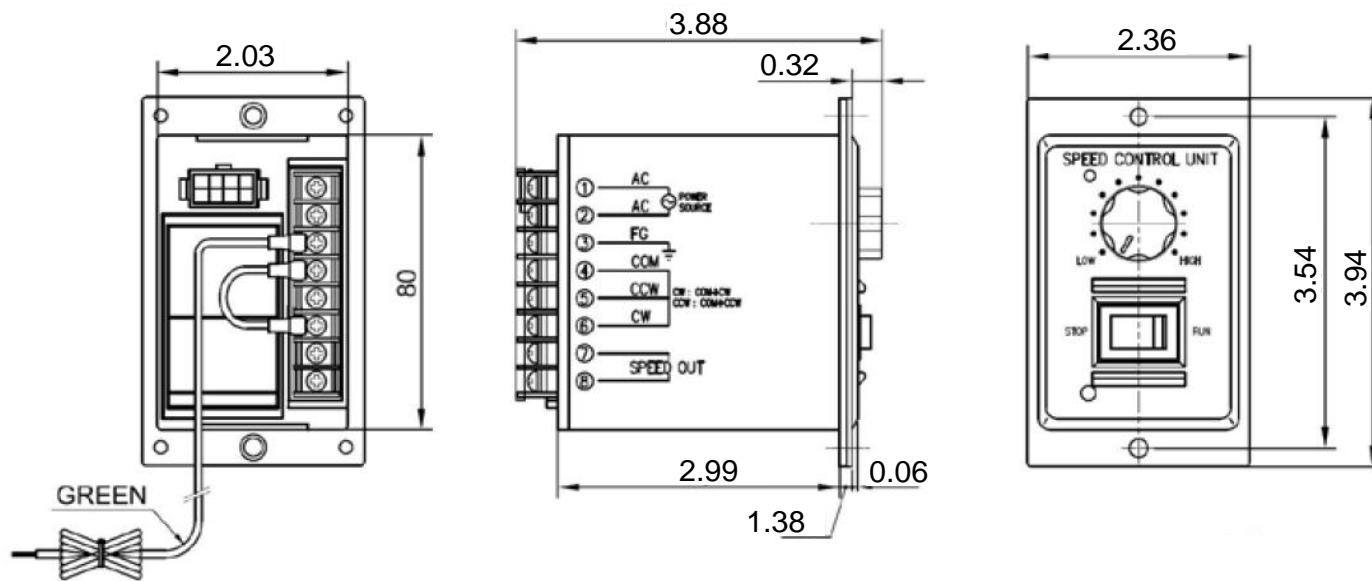
PARALLEL GEARBOX

ASSEMBLY INFO

MODEL:
7CE43-E73



DAYTON ELECTRIC MANUFACTURING CO.
100 GRAINGER PARKWAY
LAKE FOREST, IL 60045 USA



OUTLINE DRAWING

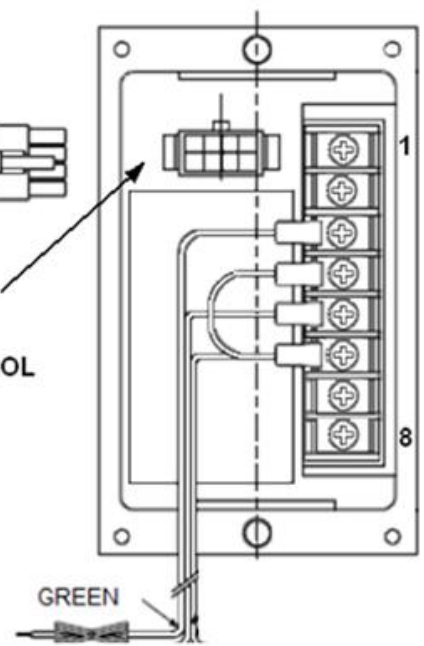
MODEL:
7CE43-E73



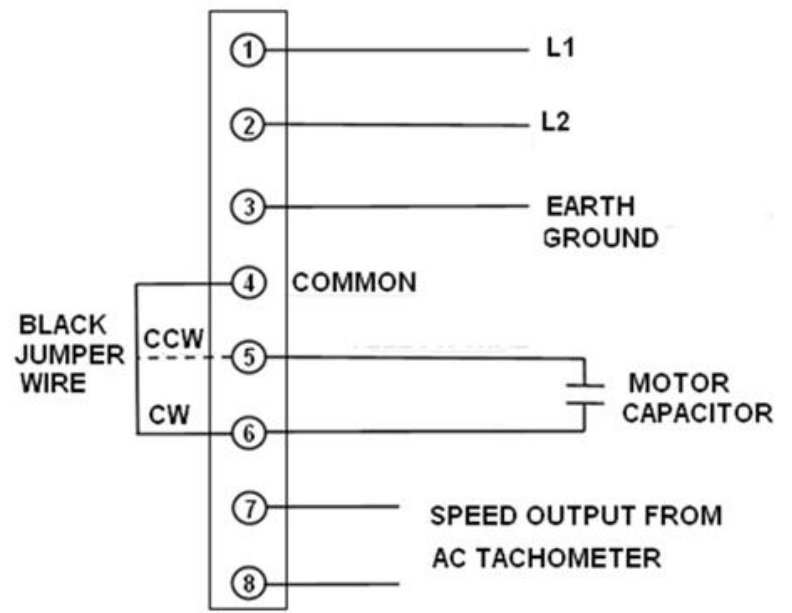
DAYTON ELECTRIC MANUFACTURING CO.
100 GRAINGER PARKWAY
LAKE FOREST, IL 60045 USA




MOTOR CABLE PLUGS INTO RECEPTACLE LOCATED ON BACK OF THE SPEED CONTROL



**SPEED CONTROL
TERMINAL BLOCK**



MOTOR IS SHOWN WIRED FOR CW ROTATION. SWITCH THE WIRE JUMPER FROM TERMINAL 6 TO 5 FOR CCW ROTATION.

HP: 1/19	Watt: 40	Speed: 1600 RPM	Volt: 220 VAC / 1 Phase	FLA: 0.30	Freq: 60 Hz	Capacitor Value: 2.3 MFD / 450 VAC
WIRE DIAGRAM			MODEL: 7CE43-E73			DAYTON ELECTRIC MANUFACTURING CO. 100 GRAINGER PARKWAY LAKE FOREST, IL 60045 USA
			Revision Date: 11-21-2012			

7-Combo No.	Motor SKU	Gearbox SKU	Multiplier SKU	Speed Control SKU	Length Less Shaft "L" Dimension (IN)	Shaft Rotation with Respect to Motor Shaft	No Load Speed (RPM)	Estimated Full Load Speed (RPM)	Gear Box Ratio	Max. Torque (IN-LB)	Max. Over Hung Load (LB)	Max. Thrust Load (LB)
7CE43	23L384	23L429	None	23L582	6.32	Same	600	533	3:1	5.13	66.14	22
7CE44	23L384	23L430	None	23L582	6.32	Same	500	444	3.6:1	6.16	66.14	22
7CE45	23L384	23L431	None	23L582	6.32	Same	360	320	5:1	8.55	66.14	22
7CE46	23L384	23L432	None	23L582	6.32	Same	300	267	6:1	10.3	66.14	22
7CE47	23L384	23L433	None	23L582	6.32	Same	240	213	7.5:1	12.8	66.14	22
7CE48	23L384	23L434	None	23L582	6.32	Same	200	178	9:1	15.4	66.14	22
7CE49	23L384	23L435	None	23L582	6.32	Same	180	160	10:1	17.1	66.14	22
7CE50	23L384	23L436	None	23L582	6.32	Same	144	128	12.5:1	21.4	66.14	22
7CE51	23L384	23L437	None	23L582	6.32	Same	120	107	15:1	25.7	66.14	22
7CE52	23L384	23L438	None	23L582	6.32	Same	100	88.9	18:1	30.8	66.14	22
7CE53	23L384	23L439	None	23L582	7.03	Opposite	90	80.0	20:1	30.8	81.57	22
7CE54	23L384	23L440	None	23L582	7.03	Opposite	72	64.0	25:1	38.5	81.57	22
7CE55	23L384	23L441	None	23L582	7.03	Opposite	60	53.3	30:1	46.3	81.57	22
7CE56	23L384	23L442	None	23L582	7.03	Opposite	50	44.4	36:1	55.5	81.57	22
7CE57	23L384	23L443	None	23L582	7.03	Opposite	45	40.0	40:1	61.7	81.57	22
7CE58	23L384	23L444	None	23L582	7.03	Same	36	32.0	50:1	69.7	81.57	22
7CE59	23L384	23L445	None	23L582	7.03	Same	30	26.7	60:1	83.6	81.57	22
7CE60	23L384	23L446	None	23L582	7.03	Same	24	22	75:1	86.8	81.57	22
7CE61	23L384	23L447	None	23L582	7.03	Same	20	18.7	90:1	86.8	81.57	22
7CE62	23L384	23L448	None	23L582	7.03	Same	18	17.1	100:1	86.8	81.57	22
7CE63	23L384	23L449	None	23L582	7.03	Same	15	14.4	120:1	86.8	81.57	22
7CE64	23L384	23L450	None	23L582	7.03	Same	12	11.6	150:1	86.8	81.57	22
7CE65	23L384	23L451	None	23L582	7.03	Same	10	9.7	180:1	86.8	81.57	22
7CE66	23L384	23L452	None	23L582	7.03	Same	9.0	8.8	200:1	86.8	81.57	22
7CE67	23L384	23L442	23L453	23L582	8.49	Same	5.0	4.9	360:1	86.8	81.57	22
7CE68	23L384	23L445	23L453	23L582	8.49	Same	3.0	2.9	600:1	86.8	81.57	22
7CE69	23L384	23L446	23L453	23L582	8.49	Same	2.4	2.4	750:1	86.8	81.57	22
7CE70	23L384	23L447	23L453	23L582	8.49	Same	2.0	2.0	900:1	86.8	81.57	22
7CE71	23L384	23L449	23L453	23L582	8.49	Same	1.5	1.4	1200:1	86.8	81.57	22
7CE72	23L384	23L450	23L453	23L582	8.49	Same	1.2	1.2	1500:1	86.8	81.57	22
7CE73	23L384	23L451	23L453	23L582	8.49	Same	1.0	1.0	1800:1	86.8	81.57	22

SPECIFICATIONS

MODEL:
7CE43-E73



DAYTON ELECTRIC MANUFACTURING CO.
100 GRAINGER PARKWAY
LAKE FOREST, IL 60045 USA