



DC MOTOR



GEARBOX MULTIPLIER



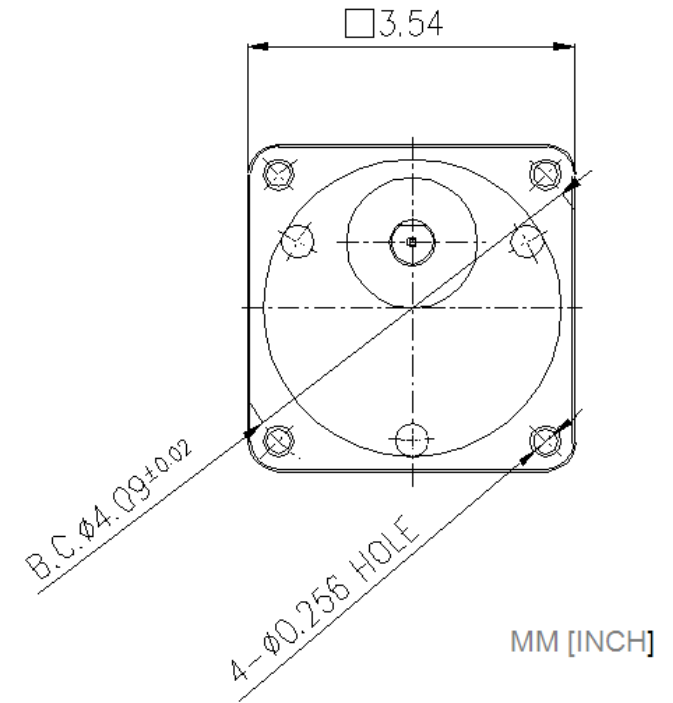
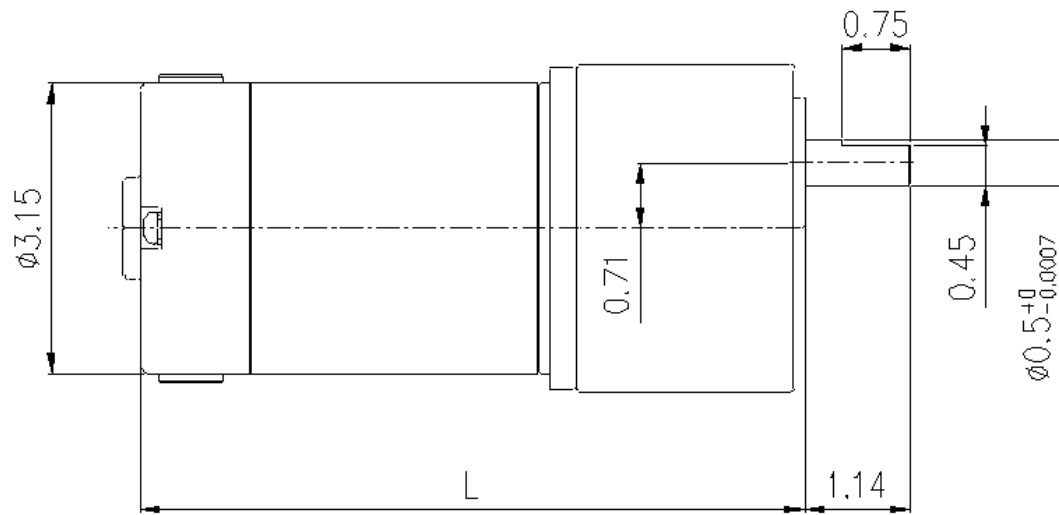
PARALLEL GEARBOX

**ASSEMBLY INFO**

MODEL:  
7CG01-G31



DAYTON ELECTRIC MANUFACTURING CO.  
100 GRAINGER PARKWAY  
LAKE FOREST, IL 60045 USA

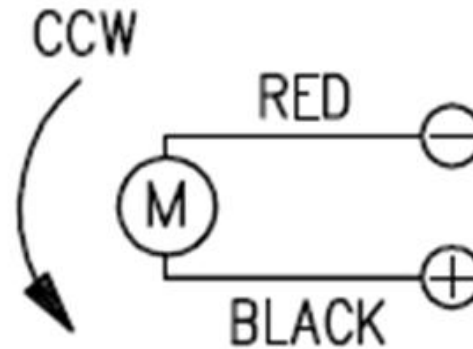
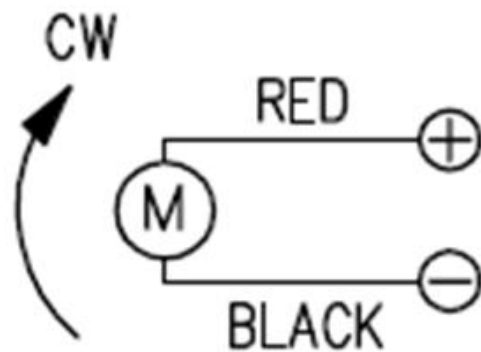


# OUTLINE DRAWING

MODEL:  
7CG01-G31




DAYTON ELECTRIC MANUFACTURING  
CO.  
100 GRAINGER PARKWAY  
LAKE FOREST, IL 60045 USA



NOTE:

1. THIS MOTOR HAS A 1.0 FORM FACTOR (FF) RATING, SO THE MOTOR SUPPLY MUST HAVE THE SAME RATING.
2. USING A MOTOR SUPPLY WHICH HAS A HIGHER FF RATING WILL OVERHEAT THE MOTOR.

HP: 1/19	Watt: 40	Speed: 2900 RPM	Volt: 24 DC	FLA: 3.0	FF: 1.0	Capacitor Value: None
<b>WIRE DIAGRAM</b>	<b>MODEL:</b> 7CG01-G31		 <b>DAYTON ELECTRIC MANUFACTURING CO.</b> 100 GRAINGER PARKWAY LAKE FOREST, IL 60045 USA			
	Revision Date: 11-21-2012					

7-Combo No.	Motor SKU	Gearbox SKU	Multiplier SKU	Length Less Shaft "L" Dimension (IN)	Shaft Rotation with Respect to Motor Shaft	No Load Speed (RPM)	Estimated Full Load Speed (RPM)	Gear Box Ratio	Max. Torque (IN-LB)	Max. Over Hung Load (LB)	Max. Thrust Load (LB)
7CG01	23L386	23L429	None	6.67	Same	1000	967	3:1	2.83	66.14	22
7CG02	23L386	23L430	None	6.67	Same	833	806	3.6:1	3.40	66.14	22
7CG03	23L386	23L431	None	6.67	Same	600	580	5:1	4.72	66.14	22
7CG04	23L386	23L432	None	6.67	Same	500	483	6:1	5.66	66.14	22
7CG05	23L386	23L433	None	6.67	Same	400	387	7.5:1	7.08	66.14	22
7CG06	23L386	23L434	None	6.67	Same	333	322	9:1	8.50	66.14	22
7CG07	23L386	23L435	None	6.67	Same	300	290	10:1	9.44	66.14	22
7CG08	23L386	23L436	None	6.67	Same	240	232	12.5:1	11.8	66.14	22
7CG09	23L386	23L437	None	6.67	Same	200	193	15:1	14.2	66.14	22
7CG10	23L386	23L438	None	6.67	Same	167	161	18:1	17.0	66.14	22
7CG11	23L386	23L439	None	7.38	Opposite	150	145	20:1	17.0	81.57	22
7CG12	23L386	23L440	None	7.38	Opposite	120	116	25:1	21.3	81.57	22
7CG13	23L386	23L441	None	7.38	Opposite	100	96.7	30:1	25.5	81.57	22
7CG14	23L386	23L442	None	7.38	Opposite	83.3	80.6	36:1	30.6	81.57	22
7CG15	23L386	23L443	None	7.38	Opposite	75.0	72.5	40:1	34.0	81.57	22
7CG16	23L386	23L444	None	7.38	Same	60.0	58.0	50:1	38.5	81.57	22
7CG17	23L386	23L445	None	7.38	Same	50.0	48.3	60:1	46.1	81.57	22
7CG18	23L386	23L446	None	7.38	Same	40.0	38.7	75:1	57.7	81.57	22
7CG19	23L386	23L447	None	7.38	Same	33.3	32.2	90:1	69.2	81.57	22
7CG20	23L386	23L448	None	7.38	Same	30.0	29.0	100:1	76.9	81.57	22
7CG21	23L386	23L449	None	7.38	Same	25.0	24.2	120:1	86.8	81.57	22
7CG22	23L386	23L450	None	7.38	Same	20.0	19.4	150:1	86.8	81.57	22
7CG23	23L386	23L451	None	7.38	Same	16.7	16.3	180:1	86.8	81.57	22
7CG24	23L386	23L452	None	7.38	Same	15.0	14.7	200:1	86.8	81.57	22
7CG25	23L386	23L442	23L453	8.84	Same	8.33	8.24	360:1	86.8	81.57	22
7CG26	23L386	23L445	23L453	8.84	Same	5.00	4.95	600:1	86.8	81.57	22
7CG27	23L386	23L446	23L453	8.84	Same	4.00	3.97	750:1	86.8	81.57	22
7CG28	23L386	23L447	23L453	8.84	Same	3.33	3.31	900:1	86.8	81.57	22
7CG29	23L386	23L449	23L453	8.84	Same	2.50	2.49	1200:1	86.8	81.57	22
7CG30	23L386	23L450	23L453	8.84	Same	2.00	1.99	1500:1	86.8	81.57	22
7CG31	23L386	23L451	23L453	8.84	Same	1.67	1.66	1800:1	86.8	81.57	22

## SPECIFICATIONS

**MODEL:**  
7CG01-G31



**DAYTON ELECTRIC MANUFACTURING CO.**  
100 GRAINGER PARKWAY  
LAKE FOREST, IL 60045 USA