



DC MOTOR



GEARBOX MULTIPLIER



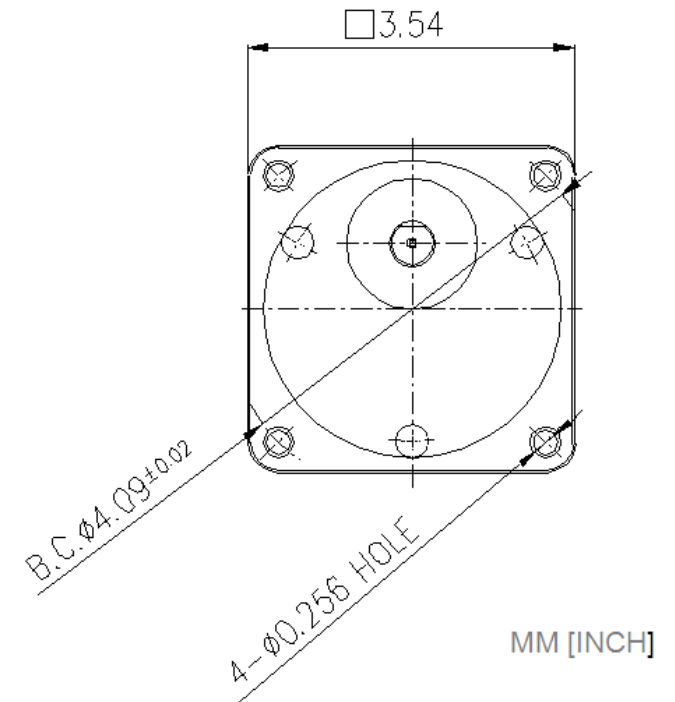
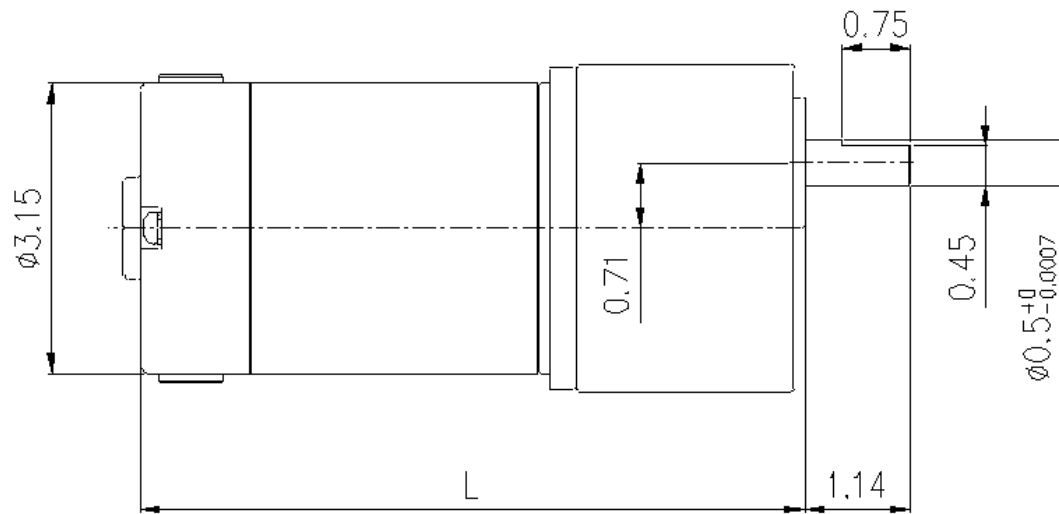
PARALLEL GEARBOX

**ASSEMBLY INFO**

**MODEL:**  
7CG32-G62



DAYTON ELECTRIC MANUFACTURING CO.  
100 GRAINGER PARKWAY  
LAKE FOREST, IL 60045 USA

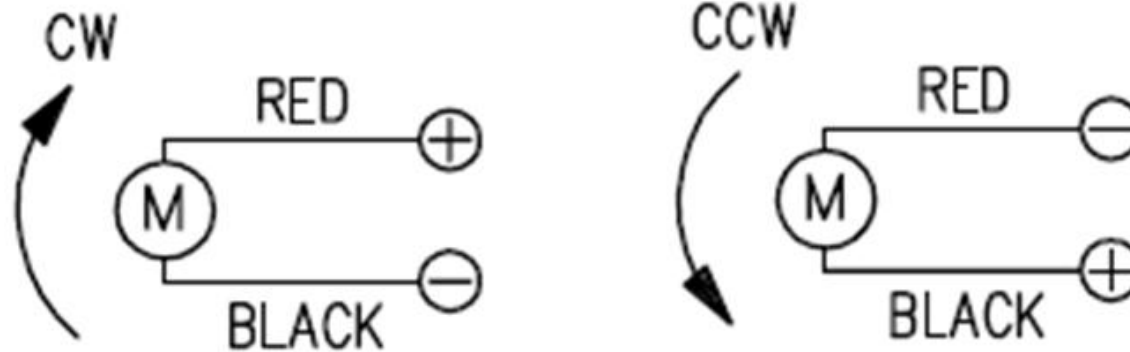


**OUTLINE DRAWING**

MODEL:  
7CG32-G62




DAYTON ELECTRIC MANUFACTURING  
CO.  
100 GRAINGER PARKWAY  
LAKE FOREST, IL 60045 USA



NOTES:

1. THIS MOTOR HAS A 1.0 FORM FACTOR (FF) RATING, SO THE MOTOR SUPPLY MUST HAVE THE SAME RATING.
2. USING A MOTOR SUPPLY WHICH HAS A HIGHER FF RATING WILL OVERHEAT THE MOTOR.
3. DO NOT USE SCR, 1.3 FF MOTOR SPEED CONTROL WITH THIS MOTOR.

HP: 1/19	Watt: 40	Speed: 3000 RPM	Volt: 90 DC	FLA: 0.8	FF: 1.0	Capacitor Value: None
<b>WIRE DIAGRAM</b>			MODEL:		DAYTON ELECTRIC MANUFACTURING CO. 100 GRAINGER PARKWAY LAKE FOREST, IL 60045 USA	
			7CG32-G62			
Revision Date: 11-21-2012						Page 3 of 4

7-Combo No.	Motor SKU	Gearbox SKU	Multiplier SKU	Length Less Shat "L" Dimension (IN)	Shaft Rotation with Respect to Motor Shaft	No Load Speed (RPM)	Estimated Full Load Speed (RPM)	Gear Box Ratio	Max. Torque (IN-LB)	Max. Over Hung Load (LB)	Max. Thrust Load (LB)
7CG32	23L386	23L429	None	6.67	Same	1067	1000	3:1	2.93	66.14	22
7CG33	23L386	23L430	None	6.67	Same	889	833	3.6:1	3.52	66.14	22
7CG34	23L386	23L431	None	6.67	Same	640	600	5:1	4.89	66.14	22
7CG35	23L386	23L432	None	6.67	Same	533	500	6:1	5.87	66.14	22
7CG36	23L386	23L433	None	6.67	Same	427	400	7.5:1	7.33	66.14	22
7CG37	23L386	23L434	None	6.67	Same	356	333	9:1	8.80	66.14	22
7CG38	23L386	23L435	None	6.67	Same	320	300	10:1	9.8	66.14	22
7CG39	23L386	23L436	None	6.67	Same	256	240	12.5:1	12.2	66.14	22
7CG40	23L386	23L437	None	6.67	Same	213	200	15:1	14.7	66.14	22
7CG41	23L386	23L438	None	6.67	Same	178	167	18:1	17.6	66.14	22
7CG42	23L386	23L439	None	7.38	Opposite	160	150	20:1	17.6	81.57	22
7CG43	23L386	23L440	None	7.38	Opposite	128	120	25:1	22.0	81.57	22
7CG44	23L386	23L441	None	7.38	Opposite	107	100	30:1	26.4	81.57	22
7CG45	23L386	23L442	None	7.38	Opposite	88.9	83.3	36:1	31.7	81.57	22
7CG46	23L386	23L443	None	7.38	Opposite	80.0	75.0	40:1	35.2	81.57	22
7CG47	23L386	23L444	None	7.38	Same	64.0	60.0	50:1	39.8	81.57	22
7CG48	23L386	23L445	None	7.38	Same	53.3	50.0	60:1	47.8	81.57	22
7CG49	23L386	23L446	None	7.38	Same	42.7	40.0	75:1	59.7	81.57	22
7CG50	23L386	23L447	None	7.38	Same	35.6	33.3	90:1	71.7	81.57	22
7CG51	23L386	23L448	None	7.38	Same	32.0	30.0	100:1	79.7	81.57	22
7CG52	23L386	23L449	None	7.38	Same	26.7	25.0	120:1	86.8	81.57	22
7CG53	23L386	23L450	None	7.38	Same	21.3	20.3	150:1	86.8	81.57	22
7CG54	23L386	23L451	None	7.38	Same	17.8	17.0	180:1	86.8	81.57	22
7CG55	23L386	23L452	None	7.38	Same	16.0	15.4	200:1	86.8	81.57	22
7CG56	23L386	23L442	23L453	8.84	Same	8.89	8.69	360:1	86.8	81.57	22
7CG57	23L386	23L445	23L453	8.84	Same	5.33	5.24	600:1	86.8	81.57	22
7CG58	23L386	23L446	23L453	8.84	Same	4.27	4.21	750:1	86.8	81.57	22
7CG59	23L386	23L447	23L453	8.84	Same	3.56	3.51	900:1	86.8	81.57	22
7CG60	23L386	23L449	23L453	8.84	Same	2.67	2.64	1200:1	86.8	81.57	22
7CG61	23L386	23L450	23L453	8.84	Same	2.13	2.11	1500:1	86.8	81.57	22
7CG62	23L386	23L451	23L453	8.84	Same	1.78	1.76	1800:1	86.8	81.57	22

## SPECIFICATIONS

**MODEL:**  
7CG32-G62



DAYTON ELECTRIC MANUFACTURING CO.  
100 GRAINGER PARKWAY  
LAKE FOREST, IL 60045 USA