



AC PSC MOTOR WITH SPEED CONTROL



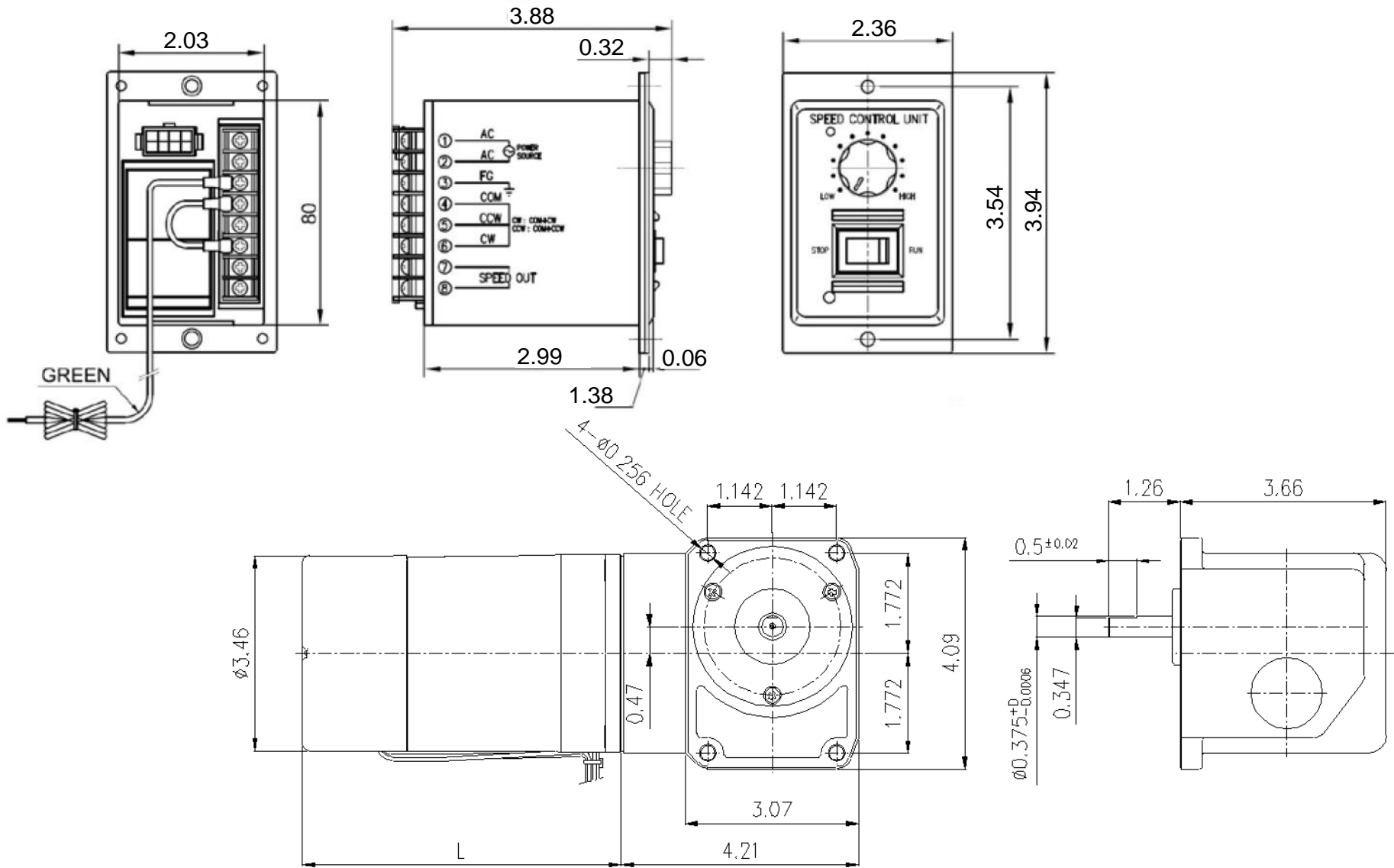
RIGHT ANGLE GEARBOX

ASSEMBLY INFO

MODEL:
7CJ28-J47



DAYTON ELECTRIC MANUFACTURING CO.
100 GRAINGER PARKWAY
LAKE FOREST, IL 60045 USA



OUTLINE DRAWING

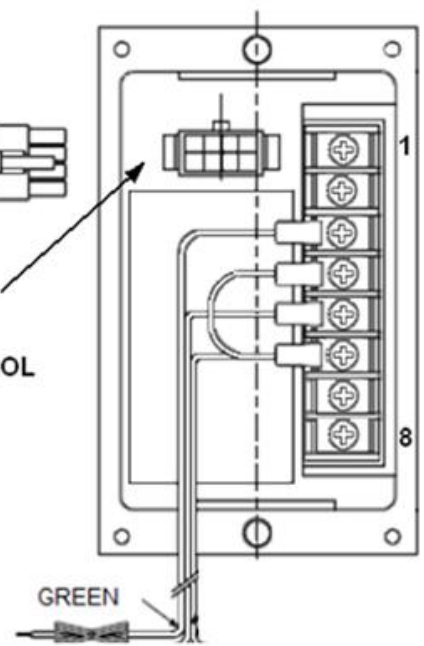
MODEL:
7CJ28-J47



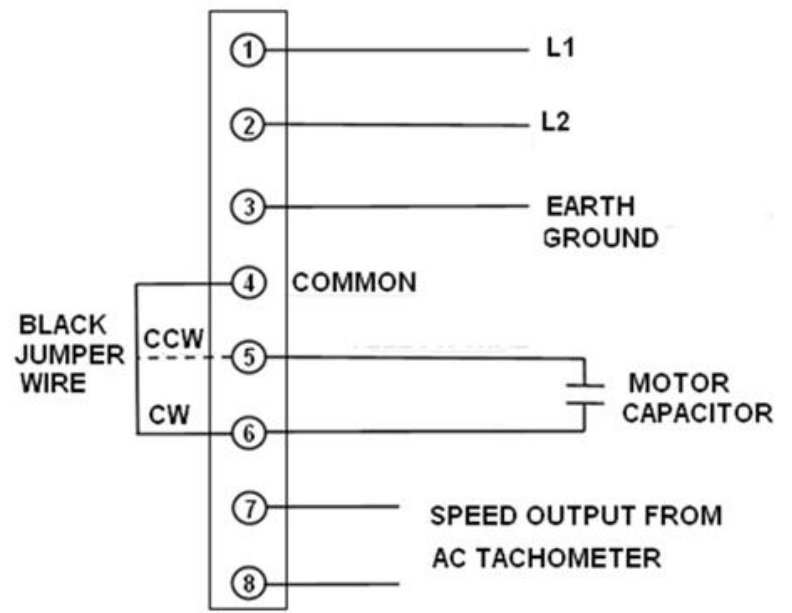
DAYTON ELECTRIC MANUFACTURING CO.
100 GRAINGER PARKWAY
LAKE FOREST, IL 60045 USA




MOTOR CABLE PLUGS INTO RECEPTACLE LOCATED ON BACK OF THE SPEED CONTROL



SPEED CONTROL TERMINAL BLOCK



MOTOR IS SHOWN WIRED FOR CW ROTATION. SWITCH THE WIRE JUMPER FROM TERMINAL 6 TO 5 FOR CCW ROTATION.

HP: 1/19	Watt: 40	Speed: 1600 RPM	Volt: 115 VAC / 1 Phase	FLA: 0.61	Freq: 60 Hz	Capacitor Value: 9 MFD / 250 VAC
WIRE DIAGRAM			MODEL: 7CJ28-J47			DAYTON ELECTRIC MANUFACTURING CO. 100 GRAINGER PARKWAY LAKE FOREST, IL 60045 USA
			Revision Date: 11-21-2012			

7-Combo No.	Motor SKU	Gearbox SKU	Speed Control SKU	"L" Dimension (IN)	Shaft Rotation with Respect to Motor Shaft	No Load Speed (RPM)	Estimated Full Load Speed (RPM)	Gear Box Ratio	Max. Torque (IN-LB)	Max. Over Hung Load (LB)	Max. Thrust Load (LB)
7CJ28	23L383	23L474	23L578	4.56	Opposite	600	533	3:1	4.3	78.7	44.96
7CJ29	23L383	23L475	23L578	4.56	Opposite	500	444	3.6:1	5.2	78.7	44.96
7CJ30	23L383	23L476	23L578	4.56	Opposite	360	320	5:1	7.2	78.7	44.96
7CJ31	23L383	23L477	23L578	4.56	Opposite	300	266	6:1	8.6	78.7	44.96
7CJ32	23L383	23L478	23L578	4.56	Opposite	240	213	7.5:1	10.8	78.7	44.96
7CJ33	23L383	23L479	23L578	4.56	Opposite	200	177	9:1	12.9	78.7	44.96
7CJ34	23L383	23L480	23L578	4.56	Opposite	144	128	12.5:1	18.0	78.7	44.96
7CJ35	23L383	23L481	23L578	4.56	Opposite	120	106	15:1	21.5	78.7	44.96
7CJ36	23L383	23L482	23L578	4.56	Opposite	100	88.8	18:1	25.9	78.7	44.96
7CJ37	23L383	23L483	23L578	4.56	Opposite	72	64	25:1	31.7	101.2	44.96
7CJ38	23L383	23L484	23L578	4.56	Opposite	60	53.3	30:1	38.0	101.2	44.96
7CJ39	23L383	23L485	23L578	4.56	Opposite	50	44	36:1	45.6	101.2	44.96
7CJ40	23L383	23L486	23L578	4.56	Opposite	36	32	50:1	63.4	101.2	44.96
7CJ41	23L383	23L487	23L578	4.56	Opposite	30	26.6	60:1	76.0	101.2	44.96
7CJ42	23L383	23L488	23L578	4.56	Opposite	24	21.3	75:1	88.5	101.2	44.96
7CJ43	23L383	23L489	23L578	4.56	Opposite	20	17.7	90:1	88.5	101.2	44.96
7CJ44	23L383	23L490	23L578	4.56	Opposite	18	16	100:1	88.5	101.2	44.96
7CJ45	23L383	23L491	23L578	4.56	Opposite	15	13.3	120:1	88.5	101.2	44.96
7CJ46	23L383	23L492	23L578	4.56	Opposite	12	10.7	150:1	88.5	101.2	44.96
7CJ47	23L383	23L493	23L578	4.56	Opposite	10	8.9	180:1	88.5	101.2	44.96

SPECIFICATIONS

MODEL:
7CJ28-J47



DAYTON ELECTRIC MANUFACTURING CO.
100 GRAINGER PARKWAY
LAKE FOREST, IL 60045 USA