

AC PSC MOTOR WITH SPEED CONTROL



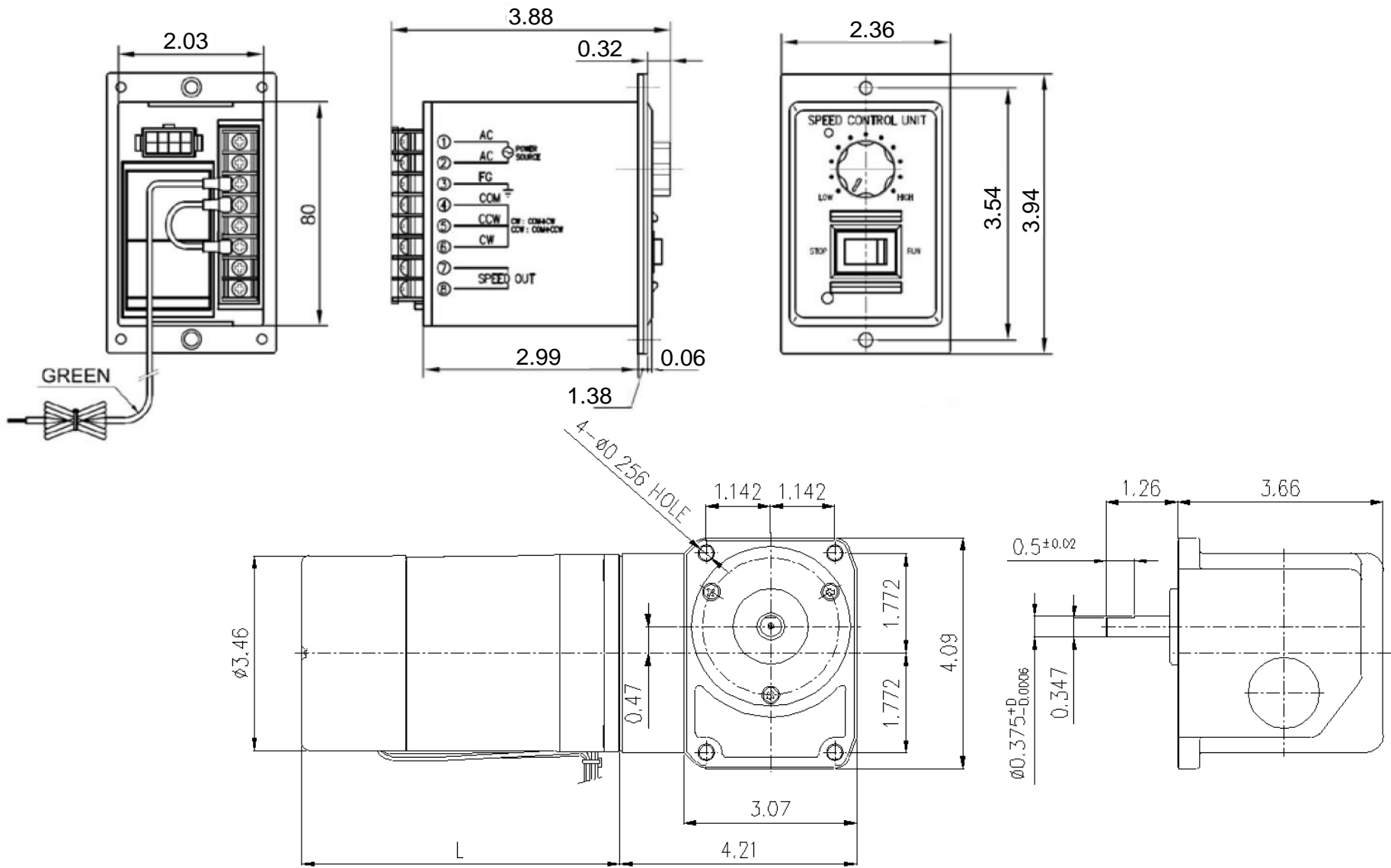
RIGHT ANGLE GEARBOX

ASSEMBLY INFO

MODEL:
7CJ48-J67



DAYTON ELECTRIC MANUFACTURING CO.
100 GRAINGER PARKWAY
LAKE FOREST, IL 60045 USA



OUTLINE DRAWING

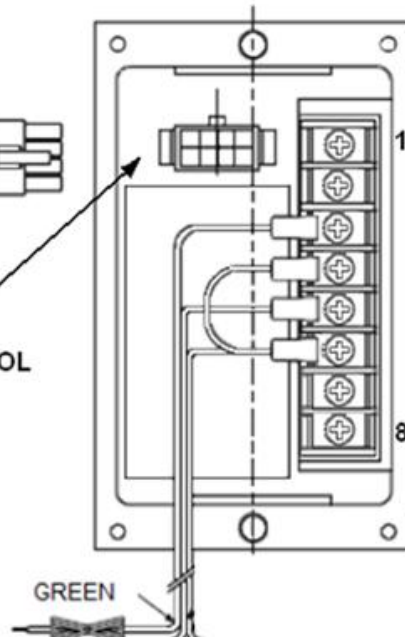
MODEL:
7CJ48-J67



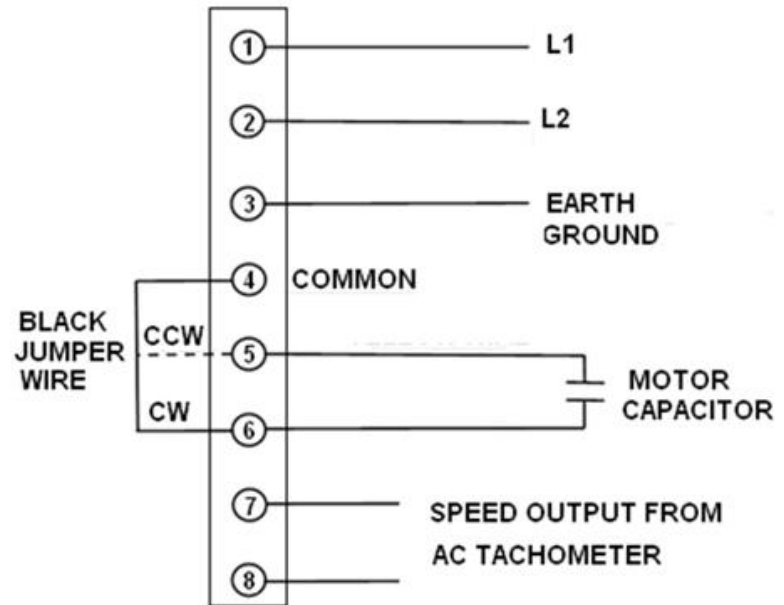
DAYTON ELECTRIC MANUFACTURING CO.
100 GRAINGER PARKWAY
LAKE FOREST, IL 60045 USA



MOTOR CABLE PLUGS INTO RECEPTACLE LOCATED ON BACK OF THE SPEED CONTROL



SPEED CONTROL
TERMINAL BLOCK



MOTOR IS SHOWN WIRED FOR CW ROTATION.
SWITCH THE WIRE JUMPER FROM TERMINAL 6 TO 5
FOR CCW ROTATION.

HP: 1/19 Watt: 40 Speed: 1600 RPM

Volt: 220 VAC / 1 Phase FLA: 0.30 Freq: 60 Hz

Capacitor Value: 2.3 MFD / 450 VAC

WIRE DIAGRAM

MODEL:
7CJ48-J67



DAYTON ELECTRIC MANUFACTURING CO.
100 GRAINGER PARKWAY
LAKE FOREST, IL 60045 USA

7-Combo No.	Motor SKU	Gearbox SKU	Speed Control SKU	"L" Dimension (IN)	Shaft Rotation with Respect to Motor Shaft	No Load Speed (RPM)	Estimated Full Load Speed (RPM)	Gear Box Ratio	Max. Torque (IN-LB)	Max. Over Hung Load (LB)	Max. Thrust Load (LB)
7CJ48	23L384	23L474	23L582	4.56	Opposite	600	533	3:1	4.3	78.7	44.96
7CJ49	23L384	23L475	23L582	4.56	Opposite	500	444	3.6:1	5.2	78.7	44.96
7CJ50	23L384	23L476	23L582	4.56	Opposite	360	320	5:1	7.2	78.7	44.96
7CJ51	23L384	23L477	23L582	4.56	Opposite	300	266	6:1	8.6	78.7	44.96
7CJ52	23L384	23L478	23L582	4.56	Opposite	240	213	7.5:1	10.8	78.7	44.96
7CJ53	23L384	23L479	23L582	4.56	Opposite	200	177	9:1	12.9	78.7	44.96
7CJ54	23L384	23L480	23L582	4.56	Opposite	144	128	12.5:1	18.0	78.7	44.96
7CJ55	23L384	23L481	23L582	4.56	Opposite	120	106	15:1	21.5	78.7	44.96
7CJ56	23L384	23L482	23L582	4.56	Opposite	100	88.8	18:1	25.9	78.7	44.96
7CJ57	23L384	23L483	23L582	4.56	Opposite	72	64	25:1	31.7	101.2	44.96
7CJ58	23L384	23L484	23L582	4.56	Opposite	60	53.3	30:1	38.0	101.2	44.96
7CJ59	23L384	23L485	23L582	4.56	Opposite	50	44	36:1	45.6	101.2	44.96
7CJ60	23L384	23L486	23L582	4.56	Opposite	36	32	50:1	63.4	101.2	44.96
7CJ61	23L384	23L487	23L582	4.56	Opposite	30	26.6	60:1	76.0	101.2	44.96
7CJ62	23L384	23L488	23L582	4.56	Opposite	24	21.3	75:1	88.5	101.2	44.96
7CJ63	23L384	23L489	23L582	4.56	Opposite	20	17.7	90:1	88.5	101.2	44.96
7CJ64	23L384	23L490	23L582	4.56	Opposite	18	16	100:1	88.5	101.2	44.96
7CJ65	23L384	23L491	23L582	4.56	Opposite	15	13.3	120:1	88.5	101.2	44.96
7CJ66	23L384	23L492	23L582	4.56	Opposite	12	10.7	150:1	88.5	101.2	44.96
7CJ67	23L384	23L493	23L582	4.56	Opposite	10	8.9	180:1	88.5	101.2	44.96

SPECIFICATIONS

MODEL:
7CJ48-J67



DAYTON ELECTRIC MANUFACTURING CO.
100 GRAINGER PARKWAY
LAKE FOREST, IL 60045 USA