



DC MOTOR



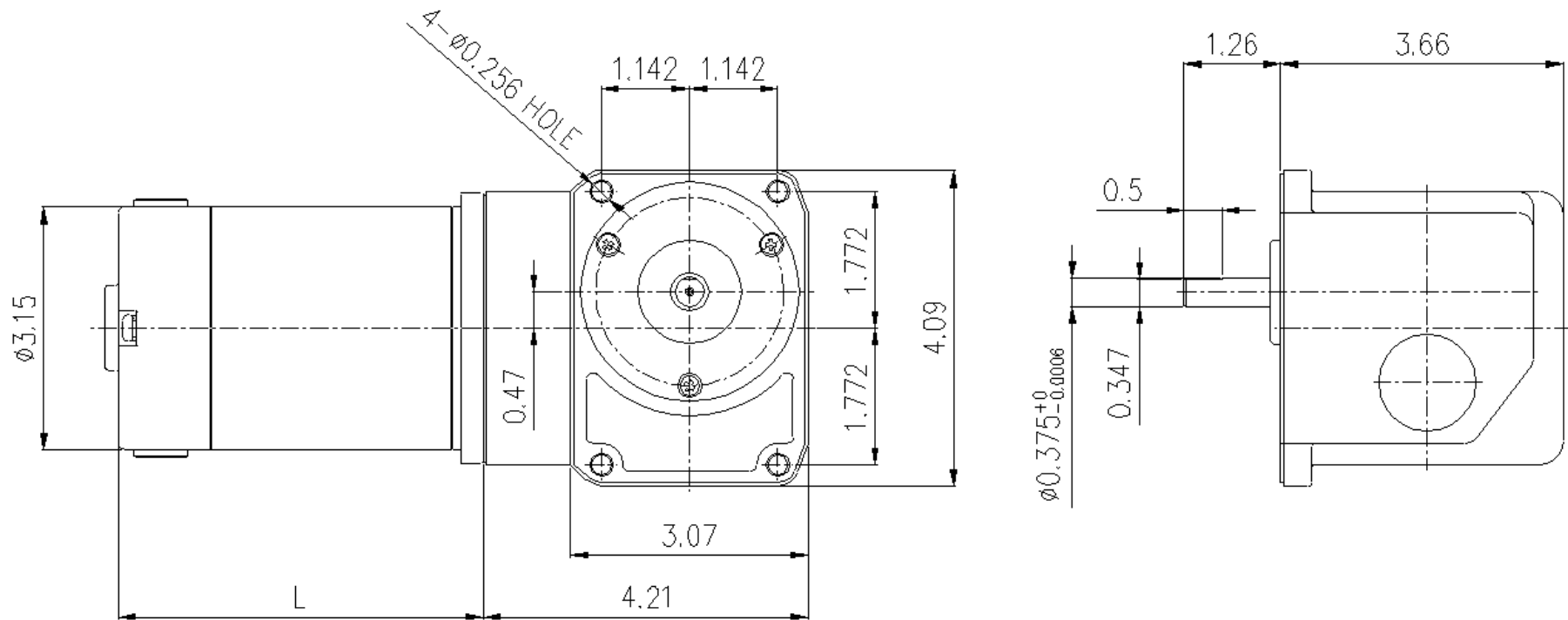
RIGHT ANGLE GEARBOX

ASSEMBLY INFO

MODEL:
7CJ68-J87

Dayton®

DAYTON ELECTRIC MANUFACTURING CO.
100 GRAINGER PARKWAY
LAKE FOREST, IL 60045 USA

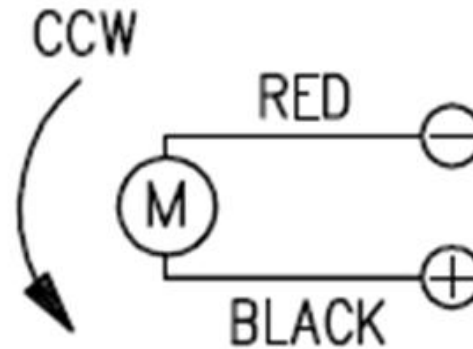
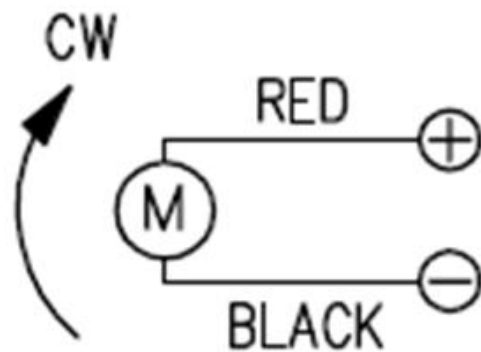


OUTLINE DRAWING

MODEL:
7CJ68-J87




DAYTON ELECTRIC MANUFACTURING CO.
100 GRAINGER PARKWAY
LAKE FOREST, IL 60045 USA



NOTE:

1. THIS MOTOR HAS A 1.0 FORM FACTOR (FF) RATING, SO THE MOTOR SUPPLY MUST HAVE THE SAME RATING.
2. USING A MOTOR SUPPLY WHICH HAS A HIGHER FF RATING WILL OVERHEAT THE MOTOR.

HP: 1/19	Watt: 40	Speed: 2800 RPM	Volt: 12 DC	FLA: 6.0	FF: 1.0	Capacitor Value: None
WIRE DIAGRAM			MODEL:	 DAYTON ELECTRIC MANUFACTURING CO. 100 GRAINGER PARKWAY LAKE FOREST, IL 60045 USA		
			7CJ68-J87			
Revision Date: 11-21-2012						Page 3 of 4

7-Combo No.	Motor SKU	Gearbox SKU	"L" Dimension (IN)	Shaft Rotation with Respect to Motor Shaft	No Load Speed (RPM)	Estimated Full Load Speed (RPM)	Gear Box Ratio	Max. Torque (IN-LB)	Max. Over Hung Load (LB)	Max. Thrust Load (LB)
7CJ68	23L385	23L474	4.90	Opposite	1067	933	3:1	2.46	78.7	44.96
7CJ69	23L385	23L475	4.90	Opposite	889	778	3.6:1	2.95	78.7	44.96
7CJ70	23L385	23L476	4.90	Opposite	640	560	5:1	4.10	78.7	44.96
7CJ71	23L385	23L477	4.90	Opposite	533	467	6:1	4.92	78.7	44.96
7CJ72	23L385	23L478	4.90	Opposite	427	373	7.5:1	6.16	78.7	44.96
7CJ73	23L385	23L479	4.90	Opposite	356	311	9:1	7.39	78.7	44.96
7CJ74	23L385	23L480	4.90	Opposite	256	224	12.5:1	10.3	78.7	44.96
7CJ75	23L385	23L481	4.90	Opposite	213	187	15:1	12.3	78.7	44.96
7CJ76	23L385	23L482	4.90	Opposite	178	156	18:1	14.8	78.7	44.96
7CJ77	23L385	23L483	4.90	Opposite	128	112	25:1	18.1	101.2	44.96
7CJ78	23L385	23L484	4.90	Opposite	107	93.3	30:1	21.7	101.2	44.96
7CJ79	23L385	23L485	4.90	Opposite	88.9	77.8	36:1	26.1	101.2	44.96
7CJ80	23L385	23L486	4.90	Opposite	64.0	56.0	50:1	36.2	101.2	44.96
7CJ81	23L385	23L487	4.90	Opposite	53.3	46.7	60:1	43.4	101.2	44.96
7CJ82	23L385	23L488	4.90	Opposite	42.7	37.3	75:1	54.3	101.2	44.96
7CJ83	23L385	23L489	4.90	Opposite	35.6	31.1	90:1	65.2	101.2	44.96
7CJ84	23L385	23L490	4.90	Opposite	32.0	28.0	100:1	72.4	101.2	44.96
7CJ85	23L385	23L491	4.90	Opposite	26.7	23.3	120:1	86.9	101.2	44.96
7CJ86	23L385	23L492	4.90	Opposite	21.3	19.1	150:1	108.6	101.2	44.96
7CJ87	23L385	23L493	4.90	Opposite	17.8	16.3	180:1	130.3	101.2	44.96

SPECIFICATIONS

MODEL:

7CJ68-J87



DAYTON ELECTRIC MANUFACTURING CO.
100 GRAINGER PARKWAY
LAKE FOREST, IL 60045 USA